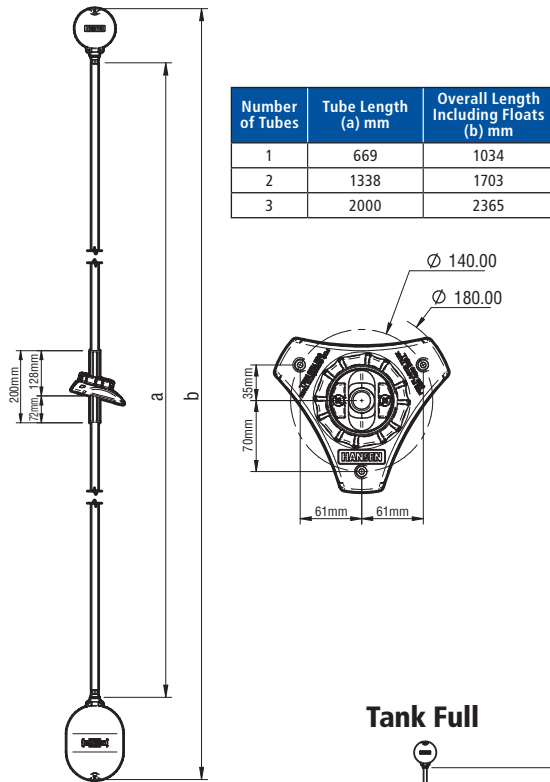


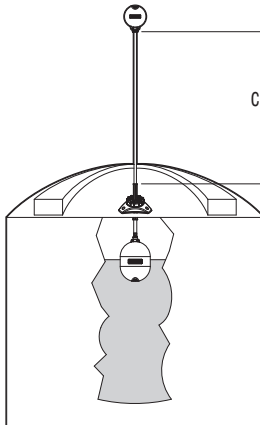
Technical Specifications

Top to bottom *Level Alert* dimensions

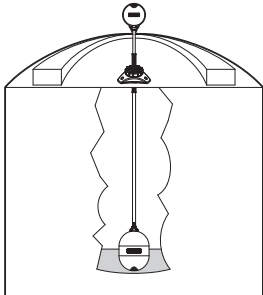


Number of Tubes	Tube Length (a) mm	Overall Length Including Floats (b) mm
1	669	1034
2	1338	1703
3	2000	2365

Tank Full



Tank Low



Number of Tubes	Full Tank Visible Level (C) mm
1	469
2	1138
3	1800

Frequently Asked Questions

- Q** My existing tank level indicator will stick in a position after windy days and I've had to replace it a number of times. Will the Hansen *Level Alert* eliminate this problem?
- A** Yes, we have covered this issue in two ways, firstly by incorporating a HiViz UV stabilised low wind resistant ball and secondly our self lubricating Glass Fibre Reinforced Nylon Sleeve and Stainless Steel rod can't bend or distort eliminating this problem.
- Q** My tank has a very steep roof angle and I cannot find a level indicator that will attach vertically, will the Hansen *Level Alert* fit my tank?
- A** Yes, our fully adjustable UniTri mounting base will adapt to any roof angle, the adjustment is a full 35 degrees each way, so once installed you never need to readjust.
- Q** I have a number of steel, plastic and concrete tanks on my property, will the Hansen *Level Alert* mount on all three types?
- A** Yes, the Hansen *Level Alert* comes with custom stainless steel fasteners for installation on steel, plastic and concrete tanks.
- Q** I have a number of ropes and pulley's, shafts and mounts lying around that have cost me money over the years, why would I purchase another product when I'm resigned to spending time climbing a ladder?
- A** Great question, because Hansen understands the value of your time and with the Hansen *Level Alert* there are no ropes and pulley's, tubes or smoke and mirrors, only the time tested strength of Glass Fibre Reinforced Nylon and the proven ability of Hansen's innovative simple and effective design. If you already use any of our product range you can answer the question yourself, if it can't be done we don't do it, if it can be done we do it simply but effectively.

HANSEN PRODUCTS (NZ) LIMITED

PO Box 809 • Whangarei • New Zealand
 P: +64 9 430 4140 F: +64 9 430 4141
 E: info@hansenproducts.com
 W: www.hansenproducts.com

Available From:

HANSEN

Best Installed Value

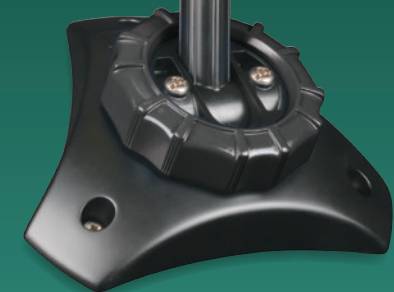


HANSEN[™]

Level Alert 



50% STRONGER
 16mm stainless steel tube offers 50% more strength than 12mm tubes



HEAVY DUTY TANK LEVEL INDICATOR

HD8138 2205

www.hansenproducts.com

Heavy Duty Tank Level Indicator

Best Installed Value

Since the introduction of the ever popular Hansen *True Fit* Tank & Threaded Fittings in 1991, these ranges have continued to evolve to meet the greater needs of our customers.

This demand lead to a natural evolution of the Hansen *Level-Alert* Heavy Duty Tank Level Indicator. Designed to meet customer requests for a more sturdy and all round more robust tank level indicator, each and every aspect of its design has been tailored to satisfy those demands. Thicker, stronger, more weather resistant stainless steel tube. Solid yet more adaptable mounting base for all types of surfaces. And using only the best quality UV weather resistant and Stainless Steel materials for a truly long life product. The result; an outstanding level indicator you can confidently install and rely on.

With over 60 years' experience in manufacturing, Hansen Products knows the importance of fluid delivery, flow and pressure within a pipe system. This has seen Hansen Products build a reputation for providing high performance, easy to use, innovative, simple products that provide our customers with "Best Installed Value".

All Hansen products carry our Limited Lifetime Warranty*

*For more information on our warranty, please visit www.hansenproducts.com/legal.htm

Product Details

LEVELALERT Tank Level Alert Indicator

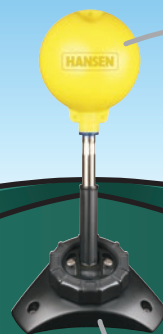
Supplied with: 3 lengths of 669mm Stainless Steel Tubes (16mm diameter) Stainless Steel Fastenings, 115mm Threaded HiViz Float, 230mm Long Threaded Blue Float, UniTri Mounting Base

- ✓ Prevent Pump Burnout caused by Dry Tank Syndrome
- ✓ See at a glance your tank water level
- ✓ Suitable for any type or size tank
- ✓ Essential part of your water management

- Suitable for Plastic, Concrete and Steel Tanks
- Manufactured from UV resistant durable, Glass Fibre Reinforced Nylon with Stainless Steel Tubes and Stainless Steel Fastenings
- Complete with all mounting fastenings for all applications
- Optional Stainless Steel Extension tubes available (669mm)



Packaged Store Box



HiViz INDICATOR

UV stable HiViz Float ensures clear visibility from a distance for easy checking of tank fluid level



SECURITY LOCK SCREWS

Screws lock the tubes into a vertical position preventing jamming in any weather conditions



ADAPTABLE MOUNTING BASE

Fully adjustable UniTri Mount base will adapt to a range of tank roofs (max 35° angle)



PLASTIC & CONCRETE TANK MOUNTING KITS

Accessories supplied for mounting to both plastic and concrete tanks including screws, plugs, wing nuts and drill bits

50% STRONGER
16mm stainless steel tube offers 50% more strength than 12mm tubes



HEAVY DUTY STAINLESS STEEL TUBE

16mm Stainless Steel Tube for long life durability. Versatility of 3 Tubes allows for a tank fluid level reading of up to 2 metres (additional Tubes available for taller tanks).



LONG BOTTOM FLOAT

155 x 230mm long bottom float ensures excellent buoyancy for accurate indication of fluid level