

## Frequently Asked Questions

**Q What size pipe will an MDID fitting fit?**

**A** A Hansen *Easy Fit ID* Compression Fitting will fit 15 – 40mm Low Density Pipe and 15 – 50mm High Density Pipe. By changing the conversion kit inside fitting to a metric conversion kit the fitting will also fit 20mm – 63mm Medium Density Pipe.

**Q Where can a Hansen *Easy Fit ID* Compression Fittings be installed?**

**A** Hansen *Easy Fit ID* Compression Fittings can be installed above and below the ground as long as they are supported.

**Q Can I use Hansen *Easy Fit* Fittings under driveways, paths and foundations?**

**A** Hansen does not recommend the use of any Hansen *Easy Fit* Fittings under any driveways, paths, or foundations.

**Q How tight should I tighten my *Easy Fit ID* Compression fittings?**

**A** Up to 25mm just tighten hand tight and all sizes above use a spanner to tighten another 1/2 to 1 turns past hand tight. Remember you already have a seal once the pipe is past the Seal, all the Nut is doing is compressing the Grip Ring onto the pipe to hold the pipe in place by limited lifetime warranty.

## Standards & Approvals



Hansen *Easy Fit* Compression Fittings are approved by the Water Research Council in the UK which is the highest recognised water testing organisation in the world.

AS/NZS 4020:2018

Hansen *Easy Fit* Compression Fittings meet the requirements for products in contact with drinking water as per AS/NZS 4020:2018 Australia & New Zealand drinking water standard.



Best Installed Value



**HANSEN PRODUCTS (NZ) LIMITED**

PO Box 809 • Whangarei • New Zealand

P: +64 9 430 4140 F: +64 9 430 4141

E: info@hansenproducts.com

W: www.hansenproducts.com

Available From:

## Polyethylene Pipe Specs

### Low Density Polyethylene Pipe

STANDARD NZS 7601:1978 (New Zealand) Polyethylene Pipe (Type 3) For Cold Water Services

Nominal Bore	Inside Diameter		Outside Diameter		Wall Thickness		Working Pressure	
	Min	Max	Min	Max	Min	Max	MPa	psi
15	11.7	12.7	16.9	17.3	2.3	2.6	0.90	130.50
20	17.9	19.2	24.9	25.4	3.1	3.5	0.80	116.00
25	24.2	25.6	31.2	31.8	3.1	3.5	0.65	94.25
32	30.5	31.9	37.5	38.1	3.1	3.5	0.50	72.50
40	36.8	38.3	43.8	44.5	3.1	3.5	0.45	65.25
50	49.5	51.0	56.5	57.2	3.1	3.5	0.35	50.75

This pipe fits Hansen Easy Fit Poly Fittings size 15mm - 50mm and Hansen Easy Fit ID Compression Fittings size 15mm - 40mm.

### High Density Polyethylene Pipe

STANDARD NZS 7602:1977 (New Zealand) Polyethylene Pipe (Type 5) For Cold Water Services Class C

Nominal Bore	Inside Diameter		Outside Diameter		Wall Thickness		Working Pressure	
	Min	Max	Min	Max	Min	Max	MPa	psi
15	13.5	14.3	16.9	17.3	1.5	1.7	0.9	130.5
20	20.3	21.2	24.9	25.4	2.1	2.3	0.9	130.5
25	25.2	26.4	31.2	31.8	2.7	3.0	0.9	130.5
32	30.5	31.6	37.5	38.0	3.2	3.5	0.9	130.5
40	35.6	37.1	43.8	44.5	3.7	4.1	0.9	130.5
50	48.8	50.6	60.0	60.8	5.1	5.6	0.9	130.5

This pipe fits Hansen Easy Fit ID Compression Fittings size 15mm - 50mm.

STANDARD NZS 7602:1977 (New Zealand) Polyethylene Pipe (Type 5) For Cold Water Services Class D

Nominal Bore	Inside Diameter		Outside Diameter		Wall Thickness		Working Pressure	
	Min	Max	Min	Max	Min	Max	MPa	psi
15	12.7	13.5	16.9	17.3	1.9	2.1	1.2	174.0
20	18.7	19.8	24.9	25.4	2.8	3.1	1.2	174.0
25	23.6	24.8	31.2	31.8	3.5	3.8	1.2	174.0
32	28.5	29.8	37.5	38.0	4.1	4.5	1.2	174.0
40	33.2	34.9	43.8	44.5	4.8	5.3	1.2	174.0
50	45.6	47.6	60.0	60.8	6.6	7.2	1.2	174.0

This pipe fits Hansen Easy Fit ID Compression Fittings size 15mm - 50mm.

### Medium Density Polyethylene Pipe

STANDARD NZS 4130:2009 (New Zealand) Polyethylene Pipe Type PN12.5-PE80

Nominal Outside Diameter	Mean Outside Diameter		Wall Thickness		Working Pressure	
	Min	Max	Min	Max	MPa	psi
16	16.0	16.3	1.6	1.9	1.25	181.3
20	20.0	20.3	1.9	2.2	1.25	181.3
25	25.0	25.3	2.3	2.7	1.25	181.3
32	32.0	32.3	2.9	3.3	1.25	181.3
40	40.0	40.4	3.7	4.2	1.25	181.3
50	50.0	50.5	4.6	5.2	1.25	181.3
63	63.0	63.6	5.8	6.5	1.25	181.3
75	75.0	75.7	6.8	7.6	1.25	181.3
90	90.0	90.9	8.2	9.2	1.25	181.3
110	110.0	111.0	10.0	11.1	1.25	181.3

This pipe fits Hansen Easy Fit Compression Fittings size 16mm - 110mm and Hansen Easy Fit ID Compression Fittings 15mm - 50mm when a MD Conversion Kit is used.

# The Reliable and World Proven Pipe Connection



*Easy Fit ID Compression Fittings*

**RELIABLE SEAL**  
Seal is pre lubricated for easy pipe insertion and reliable leak free connections

**HIGH QUALITY THREADS**  
for dependable high pressure connections

**EASY GRIP NUTS**  
Make fast work for tightening fitting onto pipe

**MADE FROM HIGH QUALITY DURABLE MATERIALS**  
Manufactured in NZ using UV stabilised high quality virgin polypropylene giving weather, termite, fungi and bacterial resistance

**POTABLE WATER APPROVED**  
Material Approved for use with Potable (drinkable) Water

**WRAS**  
AS/NZS 4020:2018

**EASY TO IDENTIFY**  
Size indicated on nuts

**EASY TO INSTALL**  
Reliable leak proof seals are the hallmark of any Hansen fitting and that's no exception when it comes to the Easy Fit ID Compression range. The simple steps make installation a breeze.

- Cut the pipe with pipe cutters, knife or saw. Ensure a square cut of pipe ends. Clean burrs from pipe ends. Keep the pipe end clean and as free of scratches and imperfections as possible.
- Undo the Nut to the last thread, do not remove Nut from the Body.
- Insert the pipe into the fitting through the Nut, Orange Grip Ring & Thrust Ring until it meets resistance at the Seal. Give the pipe a firm push past the Seal all the way until it hits the final stop point.
- Firmly hand tighten the Nut. Use a pair of Poly Grips for a further half turn past hand tight for final tightening on 32mm fittings and greater.

**HIGH PRESSURE RATED**  
16bar/235psi for sizes 15mm to 50mm (1/2" to 2")

**QUALITY GUARANTEED**  
Covered by Hansen's Limited Lifetime Warranty means you can buy with confidence.

The hydraulic seal is created when the pipe passes the Seal. Tightening the nut is to achieve pull out resistance of the pipe.

**PIPE COMPATIBILITY**  
Fittings will fit the following pipe:  
15mm to 40mm LDPE  
15mm to 50mm HDPE  
16mm to 110mm MDPE (When an MD Conversion Kit is used)

Hansen Easy Fit ID Compression Fittings are designed for High Density pipe (AS/NZS 7602:1977 Type 5 class C & D) and Low Density Polyethylene Pipe (AS/NZS 7601:1978 Type 3 pipe). Hansen Easy Fit ID Compression Fittings will fit Medium Density Pipe (AS/NZS 4130:2009) when a MD Conversion Kit is used.

**MDID CONVERSION KIT**

**MD CONVERSION KIT**

HDB 297 2210

## Best Installed Value

In the late 1970s Bert Hansen developed a range of easy to use "cold fit pipe fittings" that revolutionised the way farmers joined Polyethylene pipe.

Adding to the *Easy Fit* range of pipe fittings, Hansen introduces the new *Easy Fit ID* Compression Fittings range. The *Easy Fit ID* Compression fitting range has been designed specifically for joining standard NZS 7601:1978 Type 3 pipe (LDPE) and NZS 7602:1977 Type 5 class C & D pipe (HDPE). Building on 60 years' experience in the manufacturing of pipe fittings and valves, the sleek, precision, compact design uses only the very best materials to withstand the harshest weather conditions.

Hansen Products knows the importance that pipe fittings play in the performance and control of fluid delivery, flow and pressure within a pipe system. This has seen Hansen Products build a reputation for providing high performance, easy to use, innovative, simple products that provide our customers with "Best Installed Value". All Hansen products carry our Limited Lifetime Warranty\*

\*For more information on our warranty please visit [www.hansenproducts.com/legal.htm](http://www.hansenproducts.com/legal.htm)

## High Quality Compression Fittings

Manufactured in NZ using Best Quality Materials to withstand NZ's harsh weather conditions

Dependable High Quality Threaded components

Proven seal for reliable leak free connections



Easy Grip Nuts for rapid winding onto pipe

High Pressure Rated to 16bar, 235psi

### THREAD CONVERSIONS

1/2" - 15mm	1 1/2" - 40mm
3/4" - 20mm	2" - 50mm
1" - 25mm	2 1/2" - 63mm
1 1/4" - 32mm	

## MDID Coupling Fittings

### Coupling -HMDIDC

Size mm:  
15mm | 32mm | 50mm  
20mm | 40mm |  
25mm



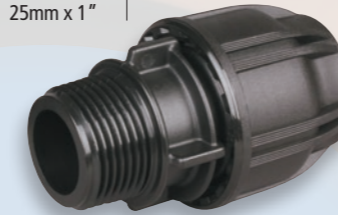
### Reducing Coupling -HMDIDRC

Size mm:  
15mm ID x 20mm OD  
15mm ID x 25mm OD



### Male Coupling -HMDIDMC

Size mm:  
15mm x 1/2" | 32mm x 1 1/4"  
15mm x 3/4" | 40mm x 1 1/2"  
20mm x 3/4" | 50mm x 2"  
25mm x 1"



## MDID Tee Fittings

### Female Coupling -HMDIDFC

Size mm:  
15mm x 1/2" | 32mm x 1 1/4"  
15mm x 3/4" | 40mm x 1 1/2"  
20mm x 3/4" | 50mm x 2"  
25mm x 1"



### Tee -HMDIDT

Size mm:  
15mm | 32mm  
20mm | 40mm  
25mm | 50mm



### Female Tee -HMDIDFT

Size mm:  
15mm x 1/2" | 40mm x 1 1/2"  
20mm x 3/4" | 50mm x 2"  
25mm x 1" | 32mm x 1 1/4"



## MDID Elbow Fittings

### Elbow -HMDIDE

Size mm:  
15mm | 32mm  
20mm | 40mm  
25mm | 50mm



### Male Elbow -HMDIDME

Size mm:  
15mm x 1/2" | 40mm x 1 1/2"  
20mm x 3/4" | 50mm x 2"  
25mm x 1"



### Female Elbow -HMDIDFE

Size mm:  
15mm x 1/2" | 40mm x 1 1/2"  
20mm x 3/4" | 50mm x 2"  
25mm x 1" | 32mm x 1 1/4"



## MDID Conversion Kits

### MDID Conversion Kit -HMDIDCK

Size mm:  
20mm | 15mm  
25mm | 40mm  
32mm |  
50mm

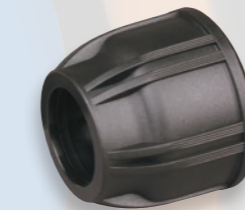


Metric Conversion Kits also available from 20mm - 63mm

## MDID Spare Parts

### Nut -HMDIDN

Size mm:  
15mm  
20mm  
25mm  
32mm  
40mm  
50mm



### Thrust Ring -HMDIDTR

Size mm:  
15mm  
20mm  
25mm  
32mm  
40mm  
50mm



### Grip Ring -HMDIDGR

Size mm:  
15mm  
20mm  
25mm  
32mm  
40mm  
50mm



### Pipe Bush -HMDIDPB

Size mm:  
15mm  
40mm



### Seal -HMDIDSEAL

Size mm:  
15mm  
20mm  
25mm  
32mm  
40mm  
50mm



### Seal Washer -HMDIDW

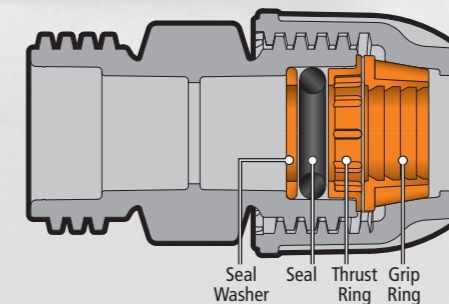
Size mm:  
15mm  
20mm  
25mm  
32mm  
40mm  
50mm



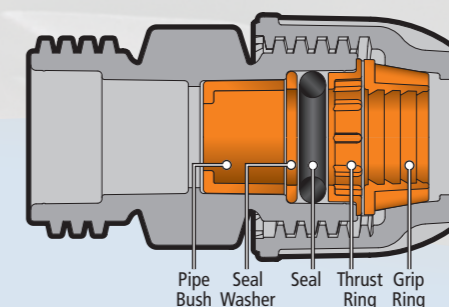
## MDID Compression Fitting Conversion Kit parts per size guide

	15mm Kit	20mm Kit	25mm Kit	32mm Kit	40mm Kit	50mm Kit
Grip Ring	✓	✓	✓	✓	✓	✓
Thrust Ring	✓	✓	✓	✓	✓	✓
Seal	✓	✓	✓	✓	✓	✓
Seal Washer	✓	✓	✓	✓	✓	✓
Pipe Bush	✓				✓	
Number of Parts	5	4	4	4	5	4

### MDID 20mm, 25mm, 32mm & 50mm Kits Installed

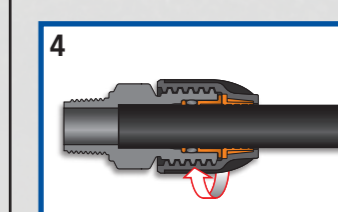
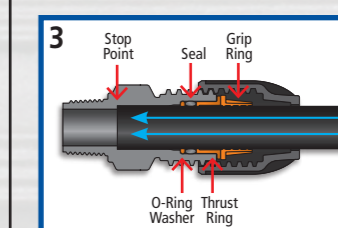
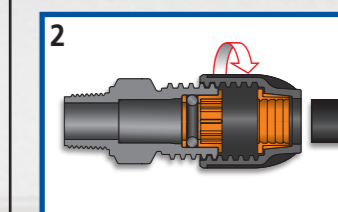


### MDID 15mm & 40mm Kits Installed



## Easy Fit ID Compression Fittings Quick & Easy Installation

Reliable leak proof seals are the hallmark of any Hansen fitting and that's no exception when it comes to the Easy Fit ID Compression range, the simple steps make installation a breeze.



1. Cut the pipe with pipe cutters, knife or saw. Ensure a square cut of pipe ends. Clean burrs from pipe ends. Keep the pipe end clean and as free of scratches and imperfections as possible.

2. Undo the Nut to the last thread, do not remove Nut from the Body.

3. Insert the pipe into the fitting through the Nut, Orange Grip Ring & Thrust Ring until it meets resistance at the Seal. Give the pipe a firm push past the Seal all the way until it hits the final stop point.

4. Firmly hand tighten the Nut. Use a pair of Poly Grips for a further half turn past hand tight for final tightening on 32mm fittings and greater.

The hydraulic seal is created when the pipe passes the Seal. Tightening the Nut is to achieve pull out resistance of the pipe.

Hansen Easy Fit ID Compression Fittings should be installed onto Medium Density pipe that has been installed in accordance with the following standards:  
 • AS/NZS 2566 Part 1 and Supplement "Buried Flexible Pipelines - Structural Design" Detailed Installation and Site Pressure Testing.  
 • AS/NZS 2566 Part 2 "Installation"  
 • AS/NZS 2033 Installation of Polyethylene Pipe Systems  
 For more information on best practice installations, please contact [info@hansenproducts.com](mailto:info@hansenproducts.com)  
 Failure to complete installation in accordance with the above standards, may void any warranties given by Hansen Products (NZ) Limited in respect to the Fitting.