

# HANSEN<sup>tm</sup>

## Best Installed Value



24/25 AU PRODUCT CATALOGUE



# HANSEN<sup>tm</sup>

Rural

Best Installed Value

Marine

Commercial

Irrigation

Agriculture

Horticulture

Domestic

It was the 1950's and Bert and Dawn Hansen were building their house, where they couldn't find a reliable toilet valve. Bert, driven by his entrepreneurial spirit, invented a solution. This marked the beginning of a venture that expanded into Bert developing a range of high-performing Brass Foot and Check valves. After securing a patent for their design, it fast became a benchmark for industry standards. Today the original design Bert created is used in a multitude of valves in hundreds of markets around the world.

to a dedicated manufacturing plant to incorporate injection moulding into their production processes. This move was a huge investment and there were many sleepless nights in the Hansen households. The move proved to be the right decision and it wasn't long before there was demand for Hansen products from all over the world. The 1990s saw the products develop a stronger following, with many of the original products having upgraded to high performance materials and the core ranges growing every year. "At one point it felt like we were adding fitting configurations every month" recalls Carl Hansen. By 1999, Hansen Products had outgrown its premises, necessitating a move to larger facilities in Whangarei New Zealand. This location has since accommodated the company's continued growth and remains the heart of Hansen Products.



As the success of their valves soared, Bert and Dawn worked tirelessly to meet the increasing demand. Their garage was the hub of their business with all the machining, assembling and packing carried out there. In those early days, Dawn remembers having to pack up the car and take all the fittings down to the railway station for distribution.

An Original Hansen Advertisement 1979



Bert's Original Toilet Valve 1952

In the mid-1980s, the business received a boost of enthusiasm and fresh ideas when Carl Hansen (Bert and Dawn's Son) arrived from completing his engineering trades. Carl's engineering expertise and his inclination towards using advanced manufacturing technologies and materials added even more strength to the Hansen Company. Responding to market needs, Bert and the team made the decision to design and produce a range of True Fit Threaded Fittings .

As the Hansen range of products grew rapidly, the company outgrew the garage set up, prompting a move

The turn of the millennium saw Hansen Products continue the path of constant improvement; Iripod was purchased, the Easy Fit Compression range was created after much encouragement from the market our Full Flow Ball Valve was released. In the last 10 years our in-house Research and Design team has developed several new products in addition to the already extensive range for release including the Australian Rural Fittings which were specifically designed for Aussie rural pipe, tank accessories, trough valves, wash down nozzles and many more. All these products have been designed for high performance whilst still staying true to Bert's original philosophy of "Keep it Simple".

With over 60 years in business, Hansen Products Proudly stands as a New Zealand-owned business, and after four decades in Australia, we are excited to take on new challenges. We are continuing to design, manufacture and distribute pipe fittings and valves of the highest quality around the world. Hansen has built a reputation for providing high performance, easy to use, simple products that deliver our customers "Best Installed Value". The winning formula that has been applied to the product range since the 1950s has ensured a loyal customer base across generations. With a range of over 1000 different products, a dedicated team, and devoted customers, Hansen is ready to tackle the challenges that lie ahead.



Hansen Instore Display 2020



## CONTENTS

### Easy Fit Rural Compression Fittings

Rural Products .....	Pages 11-16
Rural Technical .....	Pages 17-19

### Easy Fit MD Compression Fittings

MD Products .....	Pages 21-30
MD Technical .....	Pages 31-46

### Easy Fit Poly Fittings

Products .....	Pages 47-55
Technical .....	Pages 56-58

### True Fit Threaded Fittings

Products.....	Pages 59-68
Technical .....	Pages 69-80

### True Fit Tank Fittings

Tank Fittings Products .....	Pages 81-87
Tank Fittings Technical .....	Pages 97-104
IBC Tank Fittings Products .....	Page 88
IBC Tank Fittings Technical .....	Page 105
Level Alert Product .....	Pages 89-90
Level Alert Technical .....	Pages 106-111
Leveller Reservoir/Tank Valve Products .....	Pages 91-92
Rapidflo Rain Relief Valve Products .....	Pages 93-94
Sloflo Rain Relief Valve Products .....	Pages 95-96

### Hi Flo Valves

Check Valve Products .....	Page 115
Check Valve Technical .....	Pages 136-143
Foot Valve Products .....	Page 115
Foot Valve Technical .....	Pages 136-143
Ball Valve Products .....	Pages 116-117
Ball Valve Technical .....	Pages 144-148
Mini Fastflo Trough Valve Products .....	Pages 118-119
Mini Fastflo Trough Valve Technical .....	Pages 149-153
Fastflo Trough Valve Products .....	Pages 120-121
Fastflo Trough Valve Technical .....	Pages 154-159
Superflo Trough Valve Products .....	Pages 122-125
Superflo Trough Valve Technical .....	Pages 160-165
Maxflo Trough Valve Products .....	Pages 126-127
Maxflo Trough Valve Technical .....	Pages 166-172
Leveller Reservoir/Tank Valve Products .....	Pages 128-129
Leveller Reservoir/Tank Valve Technical .....	Pages 173-177
Rapidflo Rain Relief Valve Products .....	Pages 130-131
Rapidflo Rain Relief Valve Technical .....	Pages 178-183
Sloflo Rain Relief Valve Products .....	Pages 132-133
Sloflo Rain Relief Valve Technical .....	Pages 178-183
Valve Accessories - Adaptors .....	Page 134
Floats .....	Page 135

### Washdown Nozzles

Products .....	Pages 185-188
Technical .....	Pages 189-196

### Quick Connect Unions

Products .....	Pages 197-200
Technical .....	Pages 201-207

### Quick Couplings

Products .....	Pages 209-211
Technical .....	Pages 212-214

### Fast Fit Tapping Saddles

Products .....	Pages 215-218
Technical .....	Pages 219-224

### Irripod

Irrigation System Products .....	Pages 225-234
Irrigation System Technical .....	Pages 243-257
Effluent System Products .....	Pages 235-236
Effluent System Technical .....	Pages 258-270
Retail Packs .....	Pages 233-234
Parts & Accessories .....	Pages 237-242

### Irrigation

Products .....	Pages 271-273
Technical .....	Pages 274-276

### Accessories

Products .....	Pages 277-284
Technical .....	Pages 285-286

### Installation Drawings

MDPE .....	Pages 287-304
LDPE .....	Pages 305-319

### Info Sheets

Products .....	Pages 321-343
----------------	---------------

### Tables & Conversions

Products .....	Pages 345-350
----------------	---------------

### Legal & Approvals

Hansen Warranty .....	Page 353
Approvals .....	Page 354
Legal .....	Page 355

## How to read and understand the Hansen Product Code

### Rural Compression Fittings

*Easy Fit* Poly x Poly x Poly

H R RT 25 20

Rural Reducing Tee  
 HRRT2520

H Stands for Hansen  
 Following letter stands for Rural ie R  
 Next letter stands for Product Name ie RT = Reducing Tee  
 First number stands for Through Hole Poly Pipe Size ie 25  
 Second number stands for Branch Thread Size ie 20



### Compression Fittings

*Easy Fit* Poly x Poly x Poly

H MD RT 25 20

Medium Density Reducing Tee  
 HMDRT2520

H Stands for Hansen  
 Following letters stand for Medium Density i.e. MD  
 Next letter stands for Product Name i.e. RT = Reducing Tee  
 First number stands for Through Hole Poly Pipe Size i.e. 25mm  
 Second number stands for Branch Poly Pipe Size i.e. 20mm



### Poly Fittings

*Easy Fit* BSPT x Poly Pipe

H R M S 15 20

Reducing Male Coupling  
 HRMS1520

H Stands for Hansen  
 Following letter stands for Product Type i.e. R = Reducing  
 Next letter stands for BSPT Thread Type i.e. M = Male F = Female  
 Next letter stands for Product Type i.e. S = Straight  
 First number stands for Thread Size i.e. 15mm  
 Second number stands for Poly Pipe Size i.e. 20mm



*Easy Fit* Poly x Poly x Poly Pipe

H RT 25 15

Reducing Tee Connector  
 HRT2515

H Stands for Hansen  
 Following letters stand for Product Type i.e. R = Reducing T = Tee  
 First number stands for Poly Pipe Size i.e. 25mm  
 Second number stands for Branch Poly Pipe Size i.e. 15mm



## Threaded Fittings

*True Fit Fittings* H RHN 08 06

H Stands for Hansen

Following letters stand for Product Name  
 i.e. RHN = Reducing Hex Nipple

First number stands for Largest Thread Size  
 i.e. 8mm

Second number stands for the Smaller Thread Size i.e. 6mm

### Reducing Hex Nipple

HRHN0806



## Tank Fittings

*True Fit Fittings* H TFFT B 15

H Stands for Hansen

Following letters stand for Product Name  
 i.e. TFFT = Tank Fitting Female Thread

Last letter stands for the colour  
 i.e. B = Black W = White

Number stands for the Thread Size  
 i.e. 15mm

### Female Tank Fitting Black

BSPT

HTFFTB15



## Hiflo Valves

*Ball Valves* H BV 32

H Stands for Hansen

Following letters stand for Product Name  
 i.e. BV = Ball Valve

Number stands for Thread Size  
 i.e. 32mm

### Full Flow Ball Valves

HBV32



*Fast-Flo Valves* H FF SV 15 L S

H Stands for Hansen

Following letters stand for Product Name  
 i.e. FF = Fastflo

The next letters stand for Valve Type  
 i.e. SV = Sleeve Valve

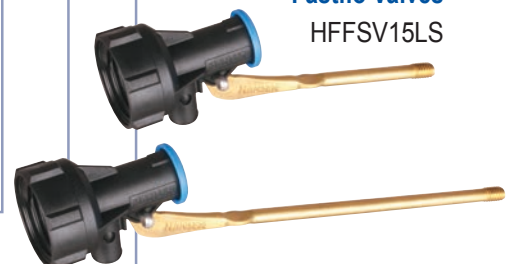
The number stands for included Adaptor Size  
 i.e. 15mm

The next letter stands for Adaptor Length  
 i.e. L = Long

The final letter stands for Arm Length  
 i.e. S = Short Arm

### Fastflo Valves

HFFSV15LS



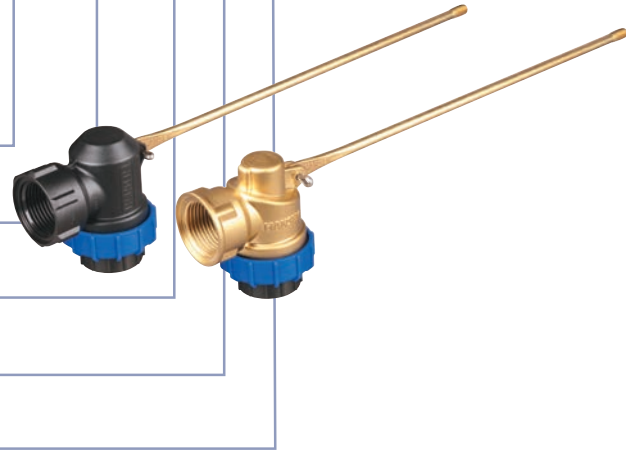


## Super-Flo Valves

**H SF PV 2520 B L S**

**Superflo Valves**  
 HSFPV2520BLS

- H** Stands for Hansen
- Following letters stand for Product Name  
 i.e. **SF** = Superflo
- The next letters stand for Valve Type  
 i.e. **PV** = Piston Valve
- The numbers stand for included Adaptor Sizes  
 i.e. **25mm & 20mm**
- The next letter stands for Valve Body Type  
 i.e. **B** = Brass Valve
- The next letter stands for Adaptor Length  
 i.e. **L** = Long
- The final letter stands for Arm Length  
 i.e. **S** = Short



## Max-Flo Valves

**H MF DV 3225 L**

**Maxflo Valves**  
 HMF DV3225L

- H** Stands for Hansen
- Following letters stand for Product Name  
 i.e. **MF** = Maxflo
- The next letters stand for Valve Type  
 i.e. **DV** = Diaphragm Valve
- The numbers stand for included Adaptor Sizes  
 i.e. **32mm & 25mm**
- The next letter stands for Adaptor Length  
 i.e. **L** = Long



## Turbo Washdown Nozzles

**H WDN TS PACK**

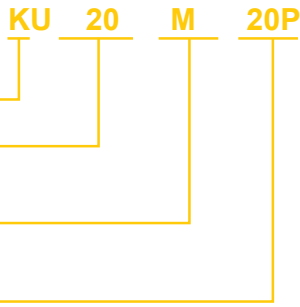
**Washdown Nozzles**  
 HWDNTSPACK

- H** Stands for Hansen
- Following letters stand for Nozzle Type  
 i.e. **WDN** = Wash Down Nozzle
- The next letters stand for Product Name  
 i.e. **TS** = Turbo Sweep
- The next letters stand for pack availability  
 i.e. **PACK**



## Quick Connect Unions

**KU** Stands for Knuckle Unions  
 First numbers stand for Thread Size  
 i.e. **20mm**  
 Next letter stands for Thread Type  
 i.e. **M** = Male **F** = Female  
 Last number stands for opposite end of fitting  
 i.e. **20P** = 20mm Poly Pipe

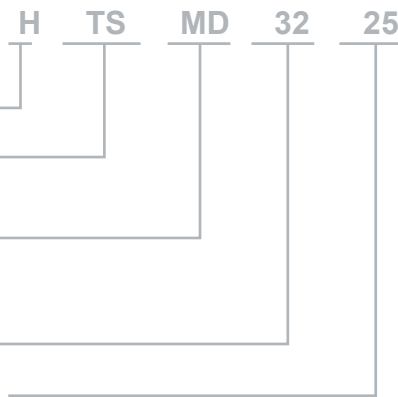


**Knuckle Union Assembled Units**  
 KU20M20P



## Fast Fit Tapping Saddles

**H** Stands for Hansen  
 First letters stand for Product Name  
 i.e. **TS** = Tapping Saddle  
 Next letters stand for Pipe Type  
 i.e. **LD** = Low Density **MD** = Medium Density  
**RB** = Rural B  
 First numbers stand for Pipe Size i.e. **32mm**  
 Last numbers stand for Thread Size i.e. **25mm**

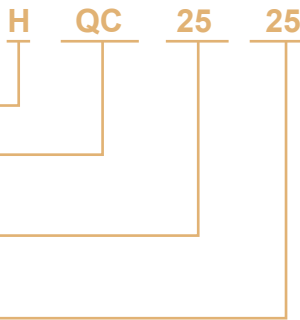


**Tapping Saddle**  
 HTSMD3225



## Quick Couplings

**H** Stands for Hansen  
 First letters stand for Product Name i.e. **QC**  
 = Quick Coupling  
 First numbers stand for Thread Size  
 i.e. **25mm**  
 Last numbers stand for Tail End of Fitting  
 i.e. **25mm**

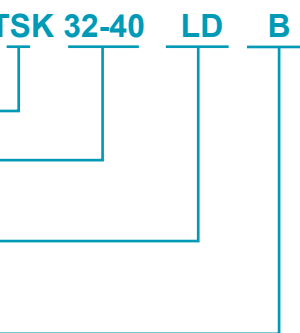


**Quick Release Coupling**  
 BSPT x Hose  
 HQC2525



## Irripod TSK 32-40 LD B

Letters stand for Product Name  
 i.e. **TSK** = Tapping Saddle Kit  
 Numbers stand for Pipe Diameter  
 i.e. **32mm-40mm**  
 Next letters stand for Pipe Type  
 i.e. **LD** = Low Density Pipe  
 Last letters are for Bolt or UBolt  
 i.e. **U** = UBolt **B** = Bolt



**Tapping Saddle Kit**  
 TSK32-40LDU to suit 32-40mm LD  
 Pipe with 4xUBolts



## Hansen Product Code Definitions

### Easy Fit Rural Compression Fittings

HRJ	Hansen Rural Joiner
HRRJ	Hansen Rural Reducing Joiner
HRMEC	Hansen Rural Male End Connector
HRFEC	Hansen Rural Female End Connector
HRT	Hansen Rural Tee
HRRT	Hansen Reducing Rural Tee
HRMT	Hansen Rural Male Tee
HRFT	Hansen Rural Female Tee
HRE	Hansen Rural Elbow
HRME	Hansen Rural Male Elbow
HRFE	Hansen Rural Female Elbow
HREC	Hansen Rural End Cap
HRN	Hansen Rural Nut
HRGR	Hansen Rural Grip Ring
HRI	Hansen Rural Insert
HRKIT	Hansen Rural Nut Assembly
HMKIT	Hansen Metric Nut Assembly

### Easy Fit Compression Fittings

HMDRT	Hansen Medium Density Reducing Tee Connector
HMDT	Hansen Medium Density Tee
HMDC	Hansen Medium Density Straight Coupling
HMDFT	Hansen Medium Density Female Threaded Tee Connector
HMDRSC	Hansen Medium Density Repair Slip Coupling
HMDMT	Hansen Medium Density Male Threaded Tee Connector
HMDRC	Hansen Medium Density Reducing Straight Coupling
HMDMC	Hansen Medium Density Male Straight Coupling
HMDFC	Hansen Medium Density Female Straight Coupling
HMDME	Hansen Medium Density Male Elbow
HMDFE	Hansen Medium Density Female Elbow
HMDE	Hansen Medium Density Elbow
HMDEC	Hansen Medium Density End Cap
HMDN	Hansen Medium Density Nut
HMDTR	Hansen Medium Density Thrust Ring
HMDGR	Hansen Medium Density Grip Ring
HMDORING	Hansen Medium Density O'Ring
HMDS	Hansen Medium Density Seal
HMDL	Hansen Medium Density Liner
HMDCK	Hansen Medium Density Conversion Kit

### Easy Fit Poly Fittings

HS	Hansen Straight
HLS	Hansen Long Straight
HRS	Hansen Reducing Straight
HMS	Hansen Male Straight
HFS	Hansen Female Straight
HRMS	Hansen Reducing Male Straight
HCEP	Hansen Male Camlock
PODTE	Hansen Pod Tow Eye
HT	Hansen Tee Connector
HRT	Hansen Reducing Tee Connector
HMT	Hansen Male Threaded Tee
HFT	Hansen Female Threaded Tee
HB	Hansen Bend
HMBS	Hansen Male Bend Short
HMB	Hansen Male Bend Long
HFB	Hansen Female Bend
HRMB	Hansen Reducing Male Bend Long
HRFB	Hansen Reducing Female Bend
HBE	Hansen Bracket Elbow
HRBE	Hansen Reducing Bracket Elbow
HPN	Hansen Poly Nut

### True Fit Threaded Fittings

HSN	Hansen Hex Nipple
HRHN	Hansen Reducing Hex Nipple
HSS	Hansen Hex Socket
HSRS	Hansen Reducing Hex Socket
HRB	Hansen Reducing Bush
HTT	Hansen Female Threaded Tee
HTE	Hansen Female Threaded Elbow
HTMFE	Hansen Threaded Male/Female Elbow
HCP	Hansen Screw Cap
HSP	Hansen Screw Plug
HTP	Hansen Tank Plug
PODTE	Hansen Pod Tow Eye
HNTE	Hansen Nut & Tail Elbow
HNT	Hansen Nut and Hose Tail
HMFA	Hansen Male/Female Adaptor
HHT	Hansen Male Hose Tail
HRHT	Hansen Reducing Male Hose Tail
HNTW	Hansen Nut and Tail Washer

### Quick Connect Unions

KUMP	Knuckle Union Male Poly
KUMF	Knuckle Union Male Female
KUFP	Knuckle Union Female Poly
KUPP	Knuckle Union Poly Poly
KUSP	Knuckle Union Socket Poly
KUSM	Knuckle Union Socket Male
KUBP	Knuckle Union Ball Poly
KUBF	Knuckle Union Ball Female
HBU	Hansen Barrel Union

### True Fit Tank Fittings

HTFFTB	Hansen Female Threaded Tank Fitting Black
HTFFTW	Hansen Female Threaded Tank Fitting White
HTFFB	Hansen Large (80 & 100) Female Threaded Tank Fitting Black
HTFFBS	Hansen Short Female Threaded Tank Fitting Black
HTFFWS	Hansen Short Female Threaded Tank Fitting White
HBNL	Hansen Female Threaded Tank Fitting Back Nut Black
HBNLW	Hansen Female Threaded Tank Fitting Back Nut White
HBN	Hansen Large (80 & 100) Female Threaded Tank Fitting Back Nut
HWL	Hansen Female Tank Fitting Black Rubber Washer Black
HWLW	Hansen Female Tank Fitting Black Rubber Washer White
HWLR	Hansen Large (80 & 100) Female Tank Fitting Black Rubber Washer
HWLP	Hansen Female Tank Fitting Poly Washer Black
HWLWP	Hansen Female Tank Fitting Poly Washer White
HTFB	Hansen Male Tank Fitting Black
HTFW	Hansen Male Tank Fitting White
HTFBS	Hansen Male Tank Fitting Short Black
HTFWS	Hansen Male Tank Fitting Short White
HTFBL	Hansen Male Tank Fitting Long Black
HTFWL	Hansen Male Tank Fitting Long White
HBN	Hansen Male Tank Fitting Back Nut Black
HBNW	Hansen Male Tank Fitting Back Nut White
HW	Hansen Male Tank Fitting Rubber Washer Black
HRWW	Hansen Male Tank Fitting Rubber Washer White
HWPB	Hansen Male Tank Fitting Poly Washer Black
PW	Hansen Male Tank Fitting Poly Washer White
HIBCFAA	IBC Female Acme Adaptor
HIBCFBA	IBC Female Buttress Adaptor
HIBCS	IBC Standard Adaptor Seal
HIBCSF	IBC Fuel Adaptor Seal

### Hi Flo Valves

HCV	Hansen Check Valve
HFV	Hansen Foot Valve
HBV	Hansen Ball Valve
HBVHB	Hansen Ball Valve Handle Blue
HBVHL	Hansen Ball Valve Handle Lilac
HBVHG	Hansen Ball Valve Handle Green
HMFFSV	Hansen Mini Fastflo Piston Valve
HFFSV	Hansen Fastflo Piston Valve
HSFPV	Hansen Superflo Piston Valve
HSFPVB	Hansen Superflo Piston Valve Brass
HMFVD	Hansen Maxflo Diaphragm Valve
HLEVELLERS	Hansen Leveller Valve
HRRRF	Hansen Rain Relief RapidFlo Valve
HRRSF	Hansen Rain Relief SloFlo Valve

### Washdown Nozzles

HWDNTS	Hansen Washdown Nozzle Turbo Sweep
HWDNTSPACK	Hansen Washdown Nozzle Turbo Sweep Pack
HWDNTT	Hansen Washdown Nozzle Turbo Twist
HWDNTTPACK	Hansen Washdown Nozzle Turbo Twist Pack
HWDC	Hansen Washdown Easy Clamp
HWDSM	Hansen Washdown Ultimate Swivel Male BSPT
HWDST	Hansen Washdown Ultimate Swivel Hose Tail
HWDHT	Hansen Washdown Hose Tail
HWDNTSSK	Hansen Washdown Nozzle Sweep Service Kit
HWDNTTSK	Hansen Washdown Nozzle Twist Service Kit
HWDNSS	Hansen Washdown Ultimate Swivel Service Kit

### Fast Fit Tapping Saddle

HTSLD	Hansen Tapping Saddle Low Density
HTSMD	Hansen Tapping Saddle Medium Density
HTSRB	Hansen Tapping Saddle Rural B

### Quick Coupling

HQC	Hansen Quick Coupling
HQCT	Hansen Quick Coupling Tail
HQCB	Hansen Quick Coupling Socket
HQCR	Hansen Quick Coupling Rubber Seal

### Irripod

Irripod - BL	Irripod Black Pod Base
TSK LDB	Tapping Saddle Kit, Pipe Size, Bolts
TSK LDU	Tapping Saddle Kit, Pipe Size, UBolts
TST LDL F	Tapping Saddle Top, Low Density Low Female
CTA LD	Cross Tee Anchor, Low Density



*Hansen Easy Fit Rural Compression Female Tee (HRFT) in use*



*Hansen Easy Fit Rural Compression Joiner (HRJ) in use*

# Easy Fit Rural Compression Fittings



Best Installed Value

RURAL



In the late 1970s Bert Hansen developed a range of easy to use “cold fit pipe fittings” that revolutionised the way farmers joined Polyethylene pipe. Adding to the *Easy Fit* Medium Density Compression range of pipe fittings, Hansen introduces the new *Easy Fit* Rural Compression Fittings range.

The *Easy Fit* Rural Compression fitting range has been designed specifically for joining Australian Rural Class B Polyethylene pipe together. Building on 60 years experience in the manufacturing of pipe fittings and valves, the sleek, precision, compact design uses only the very best materials to withstand the harshest weather conditions.

Hansen Products knows the importance that pipe fittings play in the performance and control of fluid delivery, flow and pressure within a pipe system. This has seen Hansen Products build a reputation for providing high performance, easy to use, innovative, simple products that provide our customers with “Best Installed Value”. All Hansen products carry our Hansen Warranty.\*

\*For more information on our warranty please go to Legal section.

## Features and Benefits

- Based on Hansens successful Medium Density Compression fitting range, Hansens are proud to introduce their new *Easy Fit* Rural Compression fitting range.
- Manufactured using best quality materials to withstand the harshest weather conditions.
- O-Ring is pre-lubricated for easy assembly and reliable leak free connections.
- UV stabilised high quality virgin polyethylene giving weather, termite, fungi and bacterial resistance.
- Sleek, compact design for easy installation.
- Pressure rated to suit Rural Class B Polyethylene Pipe.
- Easy grip nuts for rapid winding onto pipe.
- Dependable high quality threaded components.
- No pipe chamfering required.
- Ability to convert Rural to MD and vice versa.
- Inserts are self aligning. Tightening of the nut will draw the insert into the body of the fitting, creating a perfect seal.

## Standards & Approvals

**AS/NZS 4020:** Materials used in *Easy Fit* Rural Compression Fittings meet the requirements of AS/NZS 4020 Australia & New Zealand drinking water test standard.

**AS/NZS 2698.2:** *Easy Fit* Rural Compression Fittings are suitable for use on Rural Class B Polyethylene Pipe manufactured to AS/NZS 2698.2.

See our website for further details on approvals.

Hansen Rural Compression Fittings are designed for Rural Class B Polyethylene Pipe. Fitting sizes 20mm to 50mm are pressure rated to 9 bar at 20° Celsius.

### Conversions

20mm - 3/4"	40mm - 1 1/2"
25mm - 1"	50mm - 2"
32mm - 1 1/4"	

9 bar - 900 kPa - 131 psi  
20° Celsius - 68° Fahrenheit



*Hansen Easy Fit Rural Compression Reducing Tee (HRRT) in use*



*Hansen Easy Fit Rural Compression Elbow (HRE) in use*

## Easy Fit Rural Compression Fittings

Used for connecting Rural Polyethylene Pipe

### Rural Joiner

Imperial Size x Imperial Size



Code	Imperial	Pack Size	RRP
HRJ20	3/4"	EA	\$17.55
HRJ25	1"	EA	\$17.82
HRJ32	1-1/4"	EA	\$23.87
HRJ40	1-1/2"	EA	\$34.43
HRJ50	2"	EA	\$44.22

### Rural Reducing Joiner

Imperial Size x Imperial Size



Code	Imperial	Pack Size	RRP
HRRJ2520	1" x 3/4"	EA	\$19.58
HRRJ3225	1-1/4" x 1"	EA	\$23.65
HRRJ4032	1-1/2" x 1-1/4"	EA	\$35.53
HRRJ5040	2" x 1-1/2"	EA	\$52.14

Used for connecting Rural Polyethylene Pipe to Female Threads.

### Rural Male End Connector

Imperial Size x BSPT Thread Size



Code	Imperial	Pack Size	RRP
HRMEC2015	3/4" x 1/2"	EA	\$9.68
HRMEC2020	3/4" x 3/4"	EA	\$10.07
HRMEC2520	1" x 3/4"	EA	\$10.89
HRMEC2525	1" x 1"	EA	\$10.89
HRMEC3220	1-1/4" x 3/4"	EA	\$14.19
HRMEC3225	1-1/4" x 1"	EA	\$14.19
HRMEC3232	1-1/4" x 1-1/4"	EA	\$14.19
HRMEC4025	1-1/2" x 1"	EA	\$20.52
HRMEC4032	1-1/2" x 1-1/4"	EA	\$21.78
HRMEC4040	1-1/2" x 1-1/2"	EA	\$23.54
HRMEC4050	1-1/2" x 2"	EA	\$24.31
HRMEC5040	2" x 1-1/2"	EA	\$29.04
HRMEC5050	2" x 2"	EA	\$30.69

Used for connecting Rural Polyethylene Pipe to Male Threads.

### Rural Female End Connector

Imperial Size x BSPT Thread Size



Code	Imperial	Pack Size	RRP
HRFEC2015	3/4" x 1/2"	EA	\$13.37
HRFEC2020	3/4" x 3/4"	EA	\$13.37
HRFEC2520	1" x 3/4"	EA	\$13.59
HRFEC2525	1" x 1"	EA	\$13.59
HRFEC3220	1-1/4" x 3/4"	EA	\$15.73
HRFEC3225	1-1/4" x 1"	EA	\$15.95
HRFEC3232	1-1/4" x 1-1/4"	EA	\$16.89
HRFEC4032	1-1/2" x 1-1/4"	EA	\$24.42
HRFEC4040	1-1/2" x 1-1/2"	EA	\$28.60
HRFEC5040	2" x 1-1/2"	EA	\$35.86
HRFEC5050	2" x 2"	EA	\$35.86

## Easy Fit Rural Compression Fittings

Used for connecting Rural Polyethylene Pipe



**Rural Tee**  
Imperial Size x Imperial Size  
x Imperial Size

Code	Imperial	Pack Size	RRP
HRT20	3/4" x 3/4" x 3/4"	EA	\$28.60
HRT25	1" x 1" x 1"	EA	\$29.92
HRT32	1-1/4" x 1-1/4" x 1-1/4"	EA	\$36.63
HRT40	1-1/2" x 1-1/2" x 1-1/2"	EA	\$61.93
HRT50	2" x 2" x 2"	EA	\$79.86

Used for connecting Rural Polyethylene Pipe.



**Rural Reducing Tee**  
Imperial Size x Imperial Size  
x Imperial Size

Code	Imperial	Pack Size	RRP
HRRT2520	1" x 1" x 3/4"	EA	\$29.26
HRRT3220	1-1/4" x 1-1/4" x 3/4"	EA	\$35.97
HRRT3225	1-1/4" x 1-1/4" x 1"	EA	\$35.97
HRRT4032	1-1/2" x 1-1/2" x 1-1/4"	EA	\$66.88
HRRT5032	2" x 2" x 1-1/4"	EA	\$84.81
HRRT5040	2" x 2" x 1-1/2"	EA	\$89.21

Used for connecting Rural Polyethylene Pipe to Female Threads.



**Rural Male Tee**  
Imperial Size x Imperial Size x BSPT  
Thread Size

Code	Imperial	Pack Size	RRP
HRMT2515	1" x 1" x 1/2"	EA	\$22.33
HRMT2520	1" x 1" x 3/4"	EA	\$22.33

Used for connecting Rural Polyethylene Pipe to Male Threads.



**Rural Female Tee**  
Imperial Size x Imperial Size  
x BSPT Thread Size

Code	Imperial	Pack Size	RRP
HRFT2015	3/4" x 3/4" x 1/2"	EA	\$19.97
HRFT2020	3/4" x 3/4" x 3/4"	EA	\$19.97
HRFT2515	1" x 1" x 1/2"	EA	\$22.33
HRFT2520	1" x 1" x 3/4"	EA	\$22.33
HRFT2525	1" x 1" x 1"	EA	\$22.33
HRFT3220	1-1/4" x 1-1/4" x 3/4"	EA	\$31.24
HRFT3225	1-1/4" x 1-1/4" x 1"	EA	\$31.24
HRFT3232	1-1/4" x 1-1/4" x 1-1/4"	EA	\$31.90
HRFT4032	1-1/2" x 1-1/2" x 1-1/4"	EA	\$52.80
HRFT4040	1-1/2" x 1-1/2" x 1-1/2"	EA	\$57.31
HRFT5040	2" x 2" x 1-1/2"	EA	\$71.83
HRFT5050	2" x 2" x 2"	EA	\$80.41



## Easy Fit Rural Compression Fittings

Used to connect two Rural Polyethylene Pipe at a 90° angle.



**Rural Elbow**  
 Imperial Size x Imperial Size

Code	Imperial	Pack Size	RRP
HRE20	3/4"	EA	\$18.15
HRE25	1"	EA	\$18.98
HRE32	1-1/4"	EA	\$25.19
HRE40	1-1/2"	EA	\$43.12
HRE50	2"	EA	\$54.23

Used for connecting Rural Polyethylene Pipe to Female Threads.



**Rural Male Elbow**  
 Imperial Size x BSPT Thread Size

Code	Imperial	Pack Size	RRP
HRME2015	3/4" x 1/2"	EA	\$12.38
HRME2020	3/4" x 3/4"	EA	\$12.38
HRME2520	1" x 3/4"	EA	\$15.68
HRME2525	1" x 1"	EA	\$15.68
HRME3225	1-1/4" x 1"	EA	\$19.69
HRME3232	1-1/4" x 1-1/4"	EA	\$19.97
HRME4025	1-1/2" x 1"	EA	\$29.81
HRME4032	1-1/2" x 1-1/4"	EA	\$31.02
HRME4040	1-1/2" x 1-1/2"	EA	\$32.12
HRME5040	2" x 1-1/2"	EA	\$36.52
HRME5050	2" x 2"	EA	\$39.74

Used for connecting Rural Polyethylene Pipe to Male Threads.



**Rural Female Elbow**  
 Imperial Size x BSPT Thread Size

Code	Imperial	Pack Size	RRP
HRFE2015	3/4" x 1/2"	EA	\$12.49
HRFE2020	3/4" x 3/4"	EA	\$12.49
HRFE2515	1" x 1/2"	EA	\$13.37
HRFE2520	1" x 3/4"	EA	\$13.75
HRFE2525	1" x 1"	EA	\$13.75
HRFE3225	1-1/4" x 1"	EA	\$20.74
HRFE3232	1-1/4" x 1-1/4"	EA	\$20.74
HRFE4032	1-1/2" x 1-1/4"	EA	\$39.93
HRFE4040	1-1/2" x 1-1/2"	EA	\$39.93
HRFE5040	2" x 1-1/2"	EA	\$51.48
HRFE5050	2" x 2"	EA	\$52.80

Used to blank off pipe ends for future use.



**Rural End Cap**


Code	Imperial	Pack Size	RRP
HREC20	3/4"	EA	\$9.79
HREC25	1"	EA	\$10.18
HREC32	1-1/4"	EA	\$13.37
HREC40	1-1/2"	EA	\$22.44
HREC50	2"	EA	\$33.77

Prices are in AUD and are inclusive of 10% GST. Recommended Retail Prices are indicative and Actual Retail Prices may vary between retailers.


## Easy Fit Rural Compression Fittings

### Nut Assembly Kits for Rural and Metric pipe.


Rural Nut Assembly Kit	Code	Imperial	Pack Size	RRP
	HRKIT20	3/4"	EA	\$8.86
	HRKIT25	1"	EA	\$12.49
	HRKIT32	1-1/4"	EA	\$15.79
	HRKIT40	1-1/2"	EA	\$19.97
	HRKIT50	2"	EA	\$31.57


Metric Nut Assembly Kit	Code	Imperial	Pack Size	RRP
	HMKIT20	20mm	EA	\$6.27
	HMKIT25	25mm	EA	\$7.15
	HMKIT32	32mm	EA	\$11.39
	HMKIT40	40mm	EA	\$16.01
	HMKIT50	50mm	EA	\$19.20

### Replacement Parts Replacement Parts for the Easy Fit Rural Compression Fittings Range.


Rural Nut	Code	Imperial	Pack Size	RRP
	HRN20	3/4"	EA	\$3.16
	HRN25	1"	EA	\$3.45
	HRN32	1-1/4"	EA	\$4.43
	HRN40	1-1/2"	EA	\$6.55
	HRN50	2"	EA	\$10.40

O Ring	Code	Imperial	Pack Size	RRP
	HMDORING20	3/4"	EA	\$0.94
	HMDORING25	1"	EA	\$0.98
	HMDORING32	1-1/4"	EA	\$0.85
	HMDORING40	1-1/2"	EA	\$1.79
	HMDORING50	2"	EA	\$2.09


Rural Grip Ring	Code	Imperial	Pack Size	RRP
	HRGR20	3/4"	EA	\$2.86
	HRGR25	1"	EA	\$2.26
	HRGR32	1-1/4"	EA	\$2.73
	HRGR40	1-1/2"	EA	\$3.20
	HRGR50	2"	EA	\$3.45

Rural Insert	Code	Imperial	Pack Size	RRP
	HRI20	3/4"	EA	\$3.33
	HRI25	1"	EA	\$3.80
	HRI32	1-1/4"	EA	\$5.29
	HRI40	1-1/2"	EA	\$5.89
	HRI50	2"	EA	\$6.88

Metric Nut	Code	Imperial	Pack Size	RRP
	HMDN16	16mm	EA	\$2.74
	HMDN20	20mm	EA	\$2.74
	HMDN25	25mm	EA	\$3.03
	HMDN32	32mm	EA	\$3.89
	HMDN40	40mm	EA	\$5.68
	HMDN50	50mm	EA	\$9.06
	HMDN63	63mm	EA	\$14.40
	HMDN75	75mm	EA	\$31.45
	HMDN90	90mm	EA	\$38.97
	HMDN110	110mm	EA	\$54.51

Metric Thrust Ring	Code	Imperial	Pack Size	RRP
	HMDTR16	16mm	EA	\$1.24
	HMDTR20	20mm	EA	\$1.24
	HMDTR25	25mm	EA	\$1.54
	HMDTR32	32mm	EA	\$1.79
	HMDTR40	40mm	EA	\$2.39
	HMDTR50	50mm	EA	\$3.03
	HMDTR63	63mm	EA	\$3.59
	HMDTR75	75mm	EA	\$2.92
	HMDTR90	90mm	EA	\$4.18
	HMDTR110	110mm	EA	\$5.88

Metric Grip Ring	Code	Imperial	Pack Size	RRP
	HMDGR16	16mm	EA	\$1.28
	HMDGR20	20mm	EA	\$1.37
	HMDGR25	25mm	EA	\$1.24
	HMDGR32	32mm	EA	\$1.54
	HMDGR40	40mm	EA	\$2.39
	HMDGR50	50mm	EA	\$3.03
	HMDGR63	63mm	EA	\$4.19
	HMDGR75	75mm	EA	\$5.22
	HMDGR90	90mm	EA	\$5.40
	HMDGR110	110mm	EA	\$11.13

O Ring	Code	Imperial	Pack Size	RRP
	HMDORING16	16mm	EA	\$0.94
	HMDORING20	20mm	EA	\$0.94
	HMDORING25	25mm	EA	\$0.98
	HMDORING32	32mm	EA	\$0.85
	HMDORING40	40mm	EA	\$1.79
	HMDORING50	50mm	EA	\$2.09
	HMDORING63	63mm	EA	\$3.59
	HMDORING75	75mm	EA	\$2.92
	HMDORING90	90mm	EA	\$4.18
	HMDORING110	110mm	EA	\$4.18

Prices are in AUD and are inclusive of 10% GST. Recommended Retail Prices are indicative and Actual Retail Prices may vary between retailers.

TECHNICAL INFORMATION *Easy Fit Rural Compression Fittings*

## *Easy Fit* Rural Compression Fittings Specifications

Standard AS 2698.2:2000 (Australia) Polyethylene rural pipe

Nominal Bore	Inside Diameter		Outside Diameter		Wall Thickness		Working Pressure	
	Min	Max	Min	Max	Min	Max	MPa	psi
mm (inch)	mm	mm	mm	mm	mm	mm		
19 (3/4")	18.6	19.5	22.4	22.7	1.6	1.9	0.6	87
25 (1")	24.9	25.8	28.9	29.2	1.7	2.0	0.6	87
32 (1 1/4")	31.2	32.1	36.0	36.3	2.1	2.4	0.6	87
40 (1 1/2")	37.6	38.6	43.2	43.6	2.5	2.8	0.6	87
50 (2")	50.2	51.5	57.6	58.1	3.3	3.7	0.6	87

## *Easy Fit* Rural Compression Fittings Features & Benefits

- Based on Hansens successful Medium Density Compression fitting range, Hansens are proud to introduce their new *Easy Fit* Rural Compression fitting range.
- Manufactured using best quality materials to withstand the harshest weather conditions.
- O-Ring is pre-lubricated for easy assembly and reliable leak free connections.
- UV stabilised high quality virgin polyethylene giving weather, termite, fungi and bacterial resistance.
- Pressure rated to suit Rural Class B Polyethylene Pipe.
- Sleek, compact design for easy installation.
- Easy grip nuts for rapid winding onto body.
- Dependable high quality threaded components
- No pipe chamfering required.
- Ability to convert Rural to MD and vice versa.
- Inserts are self aligning. Tightening of the nut will draw the insert into the body of the fitting, creating a perfect seal.

## *Easy Fit* Rural Compression Fittings Materials

**Nuts & Body:** High quality Polypropylene (Virgin PP)

**Grip Ring:** High quality Acetal (Virgin POM)

**Insert:** High quality Acetal (Virgin POM)

**O-Ring:** High quality Nitrile Rubber (NBR)

## *Easy Fit* Rural Compression Fittings Standards and Approvals

**AS/NZS 4020:** Materials used in *Easy Fit* Rural Compression Fittings meet the requirements of AS/NZS 4020 Australia & New Zealand drinking water test standard.

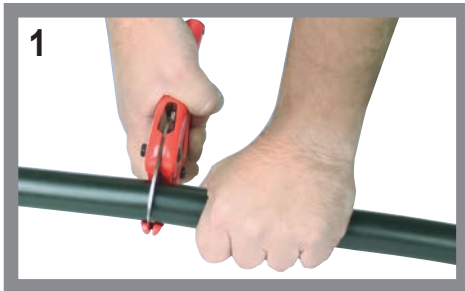
**AS 2698.2:** *Easy Fit* Rural Compression Fittings are suitable for use on Rural Class B Polyethylene Pipe manufactured to AS 2698.2.

## Easy Fit Rural Compression Fittings TECHNICAL INFORMATION

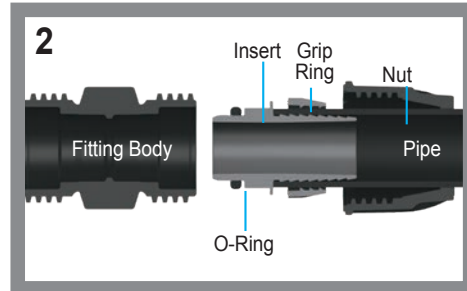
### Easy Fit Rural Compression Fittings Quick & Easy Installation

#### EASY TO INSTALL

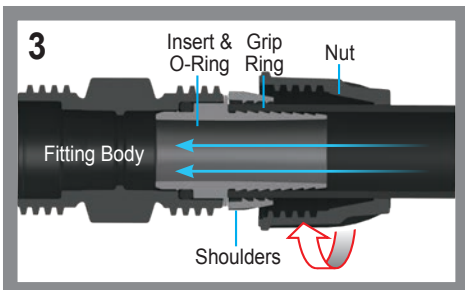
Reliable leak proof seals are the hallmark of any Hansen fitting and that's no exception when it comes to the *Easy Fit* Rural Compression range, the simple steps make installation a breeze.



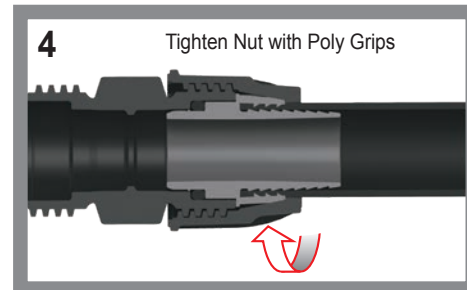
1. Cut the pipe with pipe cutters, knife or saw. Ensure the ends of the pipe are cut square. Clean burrs from pipe ends and keep the pipe ends clean and as free of scratches and imperfections as possible.



2. Unscrew the Nut and remove the Grip Ring and Insert/O-Ring from the fitting. Place the Nut and Grip Ring onto the pipe and tap the Insert fully into the pipe.



3. Push the Insert/O-Ring into the Fitting Body until the Shoulders bottom out. Slide the Grip Ring towards the fitting ensuring it is in contact with the Insert and firmly hand tighten the Nut.



4. Use Poly Grips for a further half turn on 1-1/2" and 2" fittings.

Hydraulic seal is created by fully seating the Insert/O-Ring in the fitting and sealing the pipe against the Insert barbs when the Nut is fully tightened. This also achieves the pull-out resistance of the pipe.

Hansen Easy Fit Rural Compression Fittings should be installed onto Rural Polyethylene Pipe that has been installed in accordance with the following standard:

- AS/NZS 2033 Installation of Polyethylene Pipe Systems.

For more information on best practice installations, please contact [info@hansenproducts.com](mailto:info@hansenproducts.com)

Failure to complete installation in accordance with the above standard, may void any warranties given by Hansen Products (NZ) Limited in respect to the Fitting. We recommend following pipe manufacturers guidelines.

## TECHNICAL INFORMATION *Easy Fit Rural Compression Fittings*

### *Easy Fit* Rural Compression Chemical Resistance Chart

CHEMICAL TYPE	RESISTANCE LEVEL		
	Good	OK But Check Further	BAD Try to Avoid
Drinking Water	X		
Sea Water	X		
Bloat Remedies Diluted		X	
CHEMICAL TYPE	RESISTANCE LEVEL		
Acids Weak			X
Acids Strong			X
Organic Acids Weak		X	
Organic Acids Strong			X
Bases Weak	X		
Bases Strong			X
Bleach			X
CHEMICAL TYPE	RESISTANCE LEVEL		
Automotive Fuel			X
Automotive Lubricants			X
Hydraulic Fluids			X
CHEMICAL TYPE	RESISTANCE LEVEL		
Solvents			X
Hydrocarbons			X
Halogens			X
Alcohols			X
Aldehydes			X
Amines			X
Esters			X
Ethers			X
Ketones			X
CHEMICAL TYPE	RESISTANCE LEVEL		
Detergents	X		
Oxidising Agents			X
Weak Hydrogen Peroxide			X
Ozone			X
Phenols			X
CHEMICAL TYPE	RESISTANCE LEVEL		
Calcium Chloride			X

PLEASE NOTE: This chart is intended as a basic guide only. The resistance to a given chemical will vary with temperature & concentrations. Some chemicals within the group mentioned may result in different rating. For further information, please email us with your specific question.



Best Installed Value

Email: [info@hansenproducts.com.au](mailto:info@hansenproducts.com.au)  
 Website: [www.hansenproducts.com.au](http://www.hansenproducts.com.au)

## *Easy Fit Rural Compression Fittings* TECHNICAL INFORMATION

### *Easy Fit Rural* Compression Fittings Chemical Resistance Charts

For Rural Compression Fitting chemical resistance, please refer to the chemical resistance charts in the MD Compression section.

### *Easy Rural* Compression Fittings Maximum Working Pressure

3/4" to 2": 9 bar (900kPa, PN9) @ 20 degrees Celsius.

### *Easy Fit Rural* Compression Fittings Frequently Asked Questions

#### Q. What size pipe will an *Easy Fit Rural* Compression fitting fit?

A. A Hansen *Easy Fit* Rural Compression Fitting will fit 19 – 50mm Rural Class B Pipe.

#### Q. How is Rural Class B Pipe measured?

A. By inside pipe diameter.

#### Q. Can I use Hansen *Easy Fit Rural* Compression fittings on both Redline & Greenline Rural polyethylene pipe?

A. Yes, Hansen *Easy Fit* Rural Compression Fittings are full compatible with these pipes.

#### Q. Can I use Hansen *Easy Fit Rural* Compression fittings on Rural Plus® polyethylene pipe?

A. Yes, Hansen *Easy Fit* Rural Compression Fittings are full compatible with Rural Plus® polyethylene pipe.

#### Q. Where can a Hansen *Easy Fit Rural* Compression Fittings be installed?

A. Hansen *Easy Fit* Rural Compression Fittings can be installed above and below the ground as long as they are supported.

#### Q. Does this fitting carry the Hansen Warranty?

A. Yes, all Hansen manufactured products carry our Hansen Warranty.\*

#### Q. Can I use Hansen *Easy Fit* Fittings under driveways, paths and foundations?

A. Hansen does not recommend the use of any Hansen *Easy Fit* Fittings under any driveways, paths, or foundations.

#### Q. How tight should I tighten my *Easy Fit ID* Compression fittings?

A. Up to 1-1/4" just tighten hand tight and all sizes above use a spanner or poly grips to tighten a further half turn. Remember the hydraulic seal is created by fully seating the Insert/O-Ring in the fitting.

\*For more information on our warranty please go to Legal & Approvals section

# Easy Fit Compression Fittings

# HANSEN™

Best Installed Value

MD COMPRESSION



In the late 1970s Bert Hansen developed a range of easy to use “cold fit pipe fittings” that revolutionised the way farmers joined Polyethylene pipe. Adding to the *Easy Fit* range of pipe fittings, Hansen introduces the new *Easy Fit* Compression Fittings range.

The *Easy Fit* Compression fitting range has been designed specifically for joining Medium Density Polyethylene pipe together. Building on 60 years experience in the manufacturing of pipe fittings and valves, the sleek, precision, compact design uses only the very best materials to withstand the harshest weather conditions.

Hansen Products knows the importance that pipe fittings play in the performance and control of fluid delivery, flow and pressure within a pipe system. This has seen Hansen Products build a reputation for providing high performance, easy to use, innovative, simple products that provide our customers with “Best Installed Value”. All Hansen products carry our Hansen Warranty.\*

\*For more information on our warranty please go to Legal section

## Features and Benefits

- Manufactured using best quality materials to withstand the harshest weather conditions.
- One piece fitting captive components when fitting assembled correctly.
- Seal is pre-lubricated for easy pipe insertion and reliable leak free connections.
- UV stabilised high quality virgin polyethylene giving weather, termite, fungi and bacterial resistance.
- High pressure rated.
- Sleek, compact design for easy installation.
- Easy grip nuts for rapid winding onto pipe.
- Dependable, high quality, threaded components.
- Potable (drinkable) water approved.
- WaterMark Certificate of Conformity – Level 1 Evaluated to: AS/NZS 4129:2008 - Fittings for Polyethylene (PE) pipes for pressure applications. Certification No: WMKA21978.

## Standards & Approvals

**WaterMark:** Hansen *Easy Fit* Compression Fittings in sizes 20mm to 110mm have achieved the esteemed WaterMark Certification for use in plumbing & drainage installations. Certification No: WMKA21978.

**AS/NZS 4020 HANSEN™:** *Easy Fit* Compression Fittings from 16mm to 110mm have met the requirements of AS/NZS 4020 Australia & New Zealand drinking water test standard.

**WRAS** approval means that HANSEN™ *Easy Fit* Compression Fittings are approved for use with potable (drinkable) water, and that they will not leach contaminants into the water.

Hansen *Easy Fit* Compression Fittings are designed for Medium Density Polyethylene Pipe. Fitting sizes 20mm to 63mm are pressure rated to 16bar and sizes 75mm to 110mm to 12.5bar at 20° Celsius.

## Conversions

1/2" BSP - 15mm	2" BSP - 50mm
3/4" BSP - 20mm	2-1/2" BSP - 63mm
1" BSP - 25mm	3" BSP - 75mm
1-1/4" BSP - 32mm	4" BSP - 100mm
1-1/2" BSP - 40mm	

12.5 Bar – 1250 kPa – 235 psi  
16 Bar – 1600 kPa – 235 psi

20° Celcius – 68° Fahrenheit



*Hansen Medium Density Coupling (HMDC) in use*



*Hansen Medium Density Tee (HMDT) in use*



## Easy Fit Compression Fittings

Used for connecting Medium Density Polyethylene Pipe (MDPE).

### Straight Coupling

Pipe Size x Pipe Size



Code	Metric	Pack Size	RRP
HMDC16	16mm x 16mm	EA	\$10.01
HMDC20	20mm x 20mm	EA	\$12.60
HMDC25	25mm x 25mm	EA	\$13.97
HMDC32	32mm x 32mm	EA	\$18.21
HMDC40	40mm x 40mm	EA	\$31.24
HMDC50	50mm x 50mm	EA	\$38.50
HMDC63	63mm x 63mm	EA	\$62.70
HMDC75	75mm x 75mm	EA	\$128.70
HMDC90	90mm x 90mm	EA	\$205.70
HMDC110	110mm x 110mm	EA	\$228.80

### Reducing Straight Coupling

Pipe Size x Pipe Size



Code	Metric	Pack Size	RRP
HMDRC2016	20mm x 16mm	EA	\$12.38
HMDRC2516	25mm x 16mm	EA	\$13.97
HMDRC2520	25mm x 20mm	EA	\$13.53
HMDRC3220	32mm x 20mm	EA	\$18.59
HMDRC3225	32mm x 25mm	EA	\$19.64
HMDRC4025	40mm x 25mm	EA	\$32.23
HMDRC4032	40mm x 32mm	EA	\$32.78
HMDRC5032	50mm x 32mm	EA	\$45.32
HMDRC5040	50mm x 40mm	EA	\$45.32
HMDRC6332	63mm x 32mm	EA	\$63.03
HMDRC6340	63mm x 40mm	EA	\$71.83
HMDRC6350	63mm x 50mm	EA	\$67.10
HMDRC7563	75mm x 63mm	EA	\$82.86
HMDRC9063	90mm x 63mm	EA	\$127.36
HMDRC9075	90mm x 75mm	EA	\$145.01
HMDRC11075	110mm x 75mm	EA	\$257.03
HMDRC11090	110mm x 90mm	EA	\$188.74

Used for repairing Medium Density Polyethylene Pipe. Fitting can be slipped along the length of damaged pipe as centre section of fitting body has been removed.

### Repair Slip Coupling

Pipe Size x Pipe Size



Code	Metric	Pack Size	RRP
HMDRSC20	20mm x 20mm	EA	\$15.13
HMDRSC25	25mm x 25mm	EA	\$17.82
HMDRSC32	32mm x 32mm	EA	\$21.73
HMDRSC40	40mm x 40mm	EA	\$37.29
HMDRSC50	50mm x 50mm	EA	\$43.34
HMDRSC63	63mm x 63mm	EA	\$60.23
HMDRSC75	75mm x 75mm	EA	\$101.28
HMDRSC90	90mm x 90mm	EA	\$168.03
HMDRSC110	110mm x 110mm	EA	\$224.04

## Easy Fit Compression Fittings

Used for connecting Medium Density Polyethylene Pipe (MDPE) to Female Threads.

### Male Straight Coupling

Pipe Size x BSPT Thread Size



Code	Metric	Pack Size	RRP
HMDMC1615	16mm x 1/2"	EA	\$7.54
HMDMC1620	16mm x 3/4"	EA	\$6.93
HMDMC2015	20mm x 1/2"	EA	\$8.25
HMDMC2020	20mm x 3/4"	EA	\$8.20
HMDMC2520	25mm x 3/4"	EA	\$7.87
HMDMC2525	25mm x 1"	EA	\$8.86
HMDMC3215	32mm x 1/2"	EA	\$15.51
HMDMC3220	32mm x 3/4"	EA	\$12.38
HMDMC3225	32mm x 1"	EA	\$11.00
HMDMC3232	32mm x 1 1/4"	EA	\$12.38
HMDMC3240	32mm x 1 1/2"	EA	\$15.90
HMDMC4025	40mm x 1"	EA	\$18.92
HMDMC4032	40mm x 1 1/4"	EA	\$20.08
HMDMC4040	40mm x 1 1/2"	EA	\$21.78
HMDMC4050	40mm x 2"	EA	\$22.55
HMDMC5032	50mm x 1 1/4"	EA	\$26.73
HMDMC5040	50mm x 1 1/2"	EA	\$25.19
HMDMC5050	50mm x 2"	EA	\$26.73
HMDMC6332	63mm x 1 1/4"	EA	\$40.70
HMDMC6340	63mm x 1 1/2"	EA	\$40.70
HMDMC6350	63mm x 2"	EA	\$37.51
HMDMC6363	63mm x 2 1/2"	EA	\$40.70
HMDMC7550	75mm x 2"	EA	\$54.63
HMDMC7563	75mm x 2 1/2"	EA	\$58.85
HMDMC7575	75mm x 3"	EA	\$57.16
HMDMC9050	90mm x 2"	EA	\$75.80
HMDMC9063	90mm x 2 1/2"	EA	\$89.00
HMDMC9075	90mm x 3"	EA	\$83.63
HMDMC90100	90mm x 4"	EA	\$83.63
HMDMC11050	110mm x 2"	EA	\$162.66
HMDMC11075	110mm x 3"	EA	\$127.36
HMDMC110100	110mm x 4"	EA	\$127.36

Prices are in AUD and are inclusive of 10% GST. Recommended Retail Prices are indicative and Actual Retail Prices may vary between retailers.

## Easy Fit Compression Fittings

Used for connecting Medium Density Polyethylene Pipe (MDPE) to Male Threads.

### Female Straight Coupling

Pipe Size x BSPT Thread Size



Code	Metric	Pack Size	RRP
HMDFC1615	16mm x 1/2"	EA	\$7.26
HMDFC1620	16mm x 3/4"	EA	\$7.54
HMDFC2015	20mm x 1/2"	EA	\$9.41
HMDFC2020	20mm x 3/4"	EA	\$9.41
HMDFC2515	25mm x 1/2"	EA	\$11.33
HMDFC2520	25mm x 3/4"	EA	\$11.00
HMDFC2525	25mm x 1"	EA	\$11.00
HMDFC3220	32mm x 3/4"	EA	\$13.31
HMDFC3225	32mm x 1"	EA	\$13.26
HMDFC3232	32mm x 1 1/4"	EA	\$13.26
HMDFC4025	40mm x 1"	EA	\$23.98
HMDFC4032	40mm x 1 1/4"	EA	\$22.66
HMDFC4040	40mm x 1 1/2"	EA	\$26.51
HMDFC5032	50mm x 1 1/4"	EA	\$30.80
HMDFC5040	50mm x 1 1/2"	EA	\$31.24
HMDFC5050	50mm x 2"	EA	\$31.24
HMDFC6340	63mm x 1 1/2"	EA	\$51.81
HMDFC6350	63mm x 2"	EA	\$51.04
HMDFC6363	63mm x 2 1/2"	EA	\$60.06
HMDFC7550	75mm x 2"	EA	\$61.53
HMDFC7563	75mm x 2 1/2"	EA	\$61.99
HMDFC7575	75mm x 3"	EA	\$71.66
HMDFC9050	90mm x 2"	EA	\$88.23
HMDFC9063	90mm x 2 1/2"	EA	\$98.21
HMDFC9075	90mm x 3"	EA	\$92.07
HMDFC90100	90mm x 4"	EA	\$105.88
HMDFC11050	110mm x 2"	EA	\$162.66
HMDFC11075	110mm x 3"	EA	\$145.01
HMDFC110100	110mm x 4"	EA	\$183.37

Used for connecting Medium Density Polyethylene Pipe (MDPE).

### Tee

Pipe Size x Pipe Size x Pipe Size



Code	Metric	Pack Size	RRP
HMDT16	16mm x 16mm x 16mm	EA	\$17.00
HMDT20	20mm x 20mm x 20mm	EA	\$18.92
HMDT25	25mm x 25mm x 25mm	EA	\$22.11
HMDT32	32mm x 32mm x 32mm	EA	\$30.25
HMDT40	40mm x 40mm x 40mm	EA	\$53.90
HMDT50	50mm x 50mm x 50mm	EA	\$69.52
HMDT63	63mm x 63mm x 63mm	EA	\$104.61
HMDT75	75mm x 75mm x 75mm	EA	\$148.85
HMDT90	90mm x 90mm x 90mm	EA	\$237.85
HMDT110	110mm x 110mm x 110mm	EA	\$303.06

Prices are in AUD and are inclusive of 10% GST. Recommended Retail Prices are indicative and Actual Retail Prices may vary between retailers.

Used for connecting Medium Density Polyethylene Pipe (MDPE).

### Reducing Tee Connector

Pipe Size x Pipe Size x Pipe Size



Code	Metric	Pack Size	RRP
HMDRT2016	20mm x 20mm x 16mm	EA	\$24.09
HMDRT2520	25mm x 25mm x 20mm	EA	\$24.09
HMDRT3220	32mm x 32mm x 20mm	EA	\$30.89
HMDRT3225	32mm x 32mm x 25mm	EA	\$31.02
HMDRT4032	40mm x 40mm x 32mm	EA	\$58.19
HMDRT5032	50mm x 50mm x 32mm	EA	\$73.70
HMDRT5040	50mm x 50mm x 40mm	EA	\$77.44
HMDRT6350	63mm x 63mm x 50mm	EA	\$102.30
HMDRT7563	75mm x 75mm x 63mm	EA	\$140.41
HMDRT9075	90mm x 90mm x 75mm	EA	\$230.18
HMDRT11063	110mm x 110mm x 63mm	EA	\$381.32
HMDRT11090	110mm x 110mm x 90mm	EA	\$352.17

Used for connecting Medium Density Polyethylene Pipe (MDPE) to Female Threads.

### Male Threaded Tee Connector

Pipe Size x Pipe Size x BSPT Thread Size



Code	Metric	Pack Size	RRP
HMDMT1615	16mm x 16mm x 1/2"	EA	\$15.13
HMDMT1620	16mm x 16mm x 3/4"	EA	\$15.13
HMDMT2015	20mm x 20mm x 1/2"	EA	\$17.49
HMDMT2020	20mm x 20mm x 3/4"	EA	\$17.49
HMDMT2515	25mm x 25mm x 1/2"	EA	\$19.53
HMDMT2520	25mm x 25mm x 3/4"	EA	\$19.53
HMDMT2525	25mm x 25mm x 1"	EA	\$19.53
HMDMT3220	32mm x 32mm x 3/4"	EA	\$27.17
HMDMT3225	32mm x 32mm x 1"	EA	\$27.17
HMDMT3232	32mm x 32mm x 1 1/4"	EA	\$27.17
HMDMT4025	40mm x 40mm x 1"	EA	\$46.53
HMDMT4032	40mm x 40mm x 1 1/4"	EA	\$46.53
HMDMT4040	40mm x 40mm x 1 1/2"	EA	\$46.53
HMDMT5040	50mm x 50mm x 1 1/2"	EA	\$64.02
HMDMT5050	50mm x 50mm x 2"	EA	\$64.02
HMDMT6340	63mm x 63mm x 1 1/2"	EA	\$70.28
HMDMT6350	63mm x 63mm x 2"	EA	\$70.28
HMDMT7563	75mm x 75mm x 2 1/2"	EA	\$135.04
HMDMT7575	75mm x 75mm x 3"	EA	\$92.07
HMDMT9075	90mm x 90mm x 3"	EA	\$127.36
HMDMT110100	110mm x 110mm x 4"	EA	\$140.41

Prices are in AUD and are inclusive of 10% GST. Recommended Retail Prices are indicative and Actual Retail Prices may vary between retailers.

## Easy Fit Compression Fittings

Used for connecting Medium Density Polyethylene Pipe (MDPE) to Male Threads.

### Female Threaded Tee Connector

Pipe Size x Pipe Size x BSPT Thread Size



Code	Metric	Pack Size	RRP
HMDFT1615	16mm x 16mm x 1/2"	EA	\$12.76
HMDFT1620	16mm x 16mm x 3/4"	EA	\$13.26
HMDFT2015	20mm x 20mm x 1/2"	EA	\$17.49
HMDFT2020	20mm x 20mm x 3/4"	EA	\$17.33
HMDFT2515	25mm x 25mm x 1/2"	EA	\$18.92
HMDFT2520	25mm x 25mm x 3/4"	EA	\$19.53
HMDFT2525	25mm x 25mm x 1"	EA	\$19.64
HMDFT3215	32mm x 32mm x 1/2"	EA	\$20.74
HMDFT3220	32mm x 32mm x 3/4"	EA	\$27.17
HMDFT3225	32mm x 32mm x 1"	EA	\$24.86
HMDFT3232	32mm x 32mm x 1 1/4"	EA	\$25.85
HMDFT4025	40mm x 40mm x 1"	EA	\$46.64
HMDFT4032	40mm x 40mm x 1 1/4"	EA	\$45.98
HMDFT4040	40mm x 40mm x 1 1/2"	EA	\$49.83
HMDFT5032	40mm x 50mm x 1 1/4"	EA	\$62.15
HMDFT5040	50mm x 50mm x 1 1/2"	EA	\$62.48
HMDFT5050	50mm x 50mm x 2"	EA	\$69.85
HMDFT6340	63mm x 63mm x 1 1/2"	EA	\$93.06
HMDFT6350	63mm x 63mm x 2"	EA	\$97.02
HMDFT6363	63mm x 63mm x 2 1/2"	EA	\$108.68
HMDFT7550	75mm x 75mm x 2"	EA	\$109.72
HMDFT7563	75mm x 75mm x 2 1/2"	EA	\$109.72
HMDFT7575	75mm x 75mm x 3"	EA	\$131.20
HMDFT9063	90mm x 90mm x 2 1/2"	EA	\$173.40
HMDFT9075	90mm x 90mm x 3"	EA	\$181.07
HMDFT110100	110mm x 110mm x 4"	EA	\$241.68

Used to connect two Medium Density Polyethylene Pipe (MDPE) at a 90° angle.

### Elbow

Pipe Size x Pipe Size



Code	Metric	Pack Size	RRP
HMDE16	16mm x 16mm	EA	\$12.60
HMDE20	20mm x 20mm	EA	\$14.41
HMDE25	25mm x 25mm	EA	\$16.06
HMDE32	32mm x 32mm	EA	\$20.08
HMDE40	40mm x 40mm	EA	\$37.51
HMDE50	50mm x 50mm	EA	\$44.11
HMDE63	63mm x 63mm	EA	\$68.64
HMDE75	75mm x 75mm	EA	\$102.81
HMDE90	90mm x 90mm	EA	\$148.85
HMDE110	110mm x 110mm	EA	\$228.64

Prices are in AUD and are inclusive of 10% GST. Recommended Retail Prices are indicative and Actual Retail Prices may vary between retailers.

## Easy Fit Compression Fittings

Used for connecting Medium Density Polyethylene Pipe (MDPE) to Female Threads.

**Male Elbow**  
Pipe Size x BSPT Thread Size



Code	Metric	Pack Size	RRP
HMDME1615	16mm x 1/2"	EA	\$9.63
HMDME1620	16mm x 3/4"	EA	\$9.63
HMDME2015	20mm x 1/2"	EA	\$10.73
HMDME2020	20mm x 3/4"	EA	\$10.73
HMDME2520	25mm x 3/4"	EA	\$11.94
HMDME2525	25mm x 1"	EA	\$12.60
HMDME3220	32mm x 3/4"	EA	\$15.07
HMDME3225	32mm x 1"	EA	\$15.90
HMDME3232	32mm x 1 1/4"	EA	\$17.49
HMDME4025	40mm x 1"	EA	\$25.85
HMDME4032	40mm x 1 1/4"	EA	\$26.95
HMDME4040	40mm x 1 1/2"	EA	\$27.94
HMDME5040	50mm x 1 1/2"	EA	\$31.79
HMDME5050	50mm x 2"	EA	\$37.40
HMDME6340	63mm x 1 1/2"	EA	\$50.38
HMDME6350	63mm x 2"	EA	\$49.17
HMDME6363	63mm x 2 1/2"	EA	\$54.34
HMDME7563	75mm x 2 1/2"	EA	\$75.80
HMDME7575	75mm x 3"	EA	\$81.33
HMDME9075	90mm x 3"	EA	\$105.88
HMDME90100	90mm x 4"	EA	\$136.79
HMDME110100	110mm x 4"	EA	\$145.01

Used for connecting Medium Density Polyethylene Pipe (MDPE) to Male Threads.

**Female Elbow**  
Pipe Size x BSPT Thread Size



Code	Metric	Pack Size	RRP
HMDFE1615	16mm x 1/2"	EA	\$9.63
HMDFE2015	20mm x 1/2"	EA	\$10.84
HMDFE2020	20mm x 3/4"	EA	\$12.49
HMDFE2515	25mm x 1/2"	EA	\$11.61
HMDFE2520	25mm x 3/4"	EA	\$11.94
HMDFE2525	25mm x 1"	EA	\$11.61
HMDFE3220	32mm x 3/4"	EA	\$16.34
HMDFE3225	32mm x 1"	EA	\$15.84
HMDFE3232	32mm x 1 1/4"	EA	\$16.67
HMDFE4032	40mm x 1 1/4"	EA	\$46.53
HMDFE4040	40mm x 1 1/2"	EA	\$36.85
HMDFE5040	50mm x 1 1/2"	EA	\$44.77
HMDFE5050	50mm x 2"	EA	\$47.30
HMDFE6340	63mm x 1 1/2"	EA	\$64.02
HMDFE6350	63mm x 2"	EA	\$66.00
HMDFE7563	75mm x 2 1/2"	EA	\$68.13
HMDFE7575	75mm x 3"	EA	\$86.70
HMDFE9075	90mm x 3"	EA	\$129.67
HMDFE90100	90mm x 4"	EA	\$129.67
HMDFE110100	110mm x 4"	EA	\$148.61

Prices are in AUD and are inclusive of 10% GST. Recommended Retail Prices are indicative and Actual Retail Prices may vary between retailers.

## Easy Fit Compression Fittings

Used to blank off pipe ends for future use.



End Cap	Code	Metric	Pack Size	RRP
	HMDEC16	16mm	EA	\$8.20
	HMDEC20	20mm	EA	\$8.53
	HMDEC25	25mm	EA	\$8.86
	HMDEC32	32mm	EA	\$11.61
	HMDEC40	40mm	EA	\$20.79
	HMDEC50	50mm	EA	\$31.24
	HMDEC63	63mm	EA	\$46.53
	HMDEC75	75mm	EA	\$61.53
	HMDEC90	90mm	EA	\$70.28
	HMDEC110	110mm	EA	\$136.57

### Reducing Bracket Elbow

Pipe Size x BSPT Thread Size



Used for connecting taps to Medium Density Pipe using a compression style joint.

Code	Metric	Pack Size	RRP
HMDRBE2015	20mm x 1/2"	EA	\$26.79
HMDRBE2515	25mm x 1/2"	EA	\$31.07
HMDRBE2520	25mm x 3/4"	EA	\$32.09

Used for supporting the wall section in Medium Density Pipe.



Liner	Code	Metric	Pack Size	RRP
	HMDL16	16mm MD Liner	EA	\$1.62
	HMDL20	20mm MD Liner	EA	\$1.92
	HMDL25	25mm MD Liner	EA	\$1.92
	HMDL32	32mm MD Liner	EA	\$4.62
	HMDL40	40mm MD Liner	EA	\$5.13
	HMDL50	50mm MD Liner	EA	\$5.47
	HMDL63	63mm MD Liner	EA	\$6.15

Used to adapt a Hansen Easy Fit Compression Fitting to fit Medium Density pipe.

### MD Conversion Kit



Code	Metric	Pack Size	RRP
HMDCK20	20mm	EA	\$4.83
HMDCK25	25mm	EA	\$5.98
HMDCK32	32mm	EA	\$6.79
HMDCK40	40mm	EA	\$9.36
HMDCK50	50mm	EA	\$10.90
HMDCK63	63mm	EA	\$13.16

## Easy Fit Compression Fittings

### Replacement Parts *Replacement Parts for the Easy Fit Compression Fittings Range.*

#### Thrust Ring



Code	Metric	Pack Size	RRP
HMDTR16	16mm	EA	\$1.24
HMDTR20	20mm	EA	\$1.24
HMDTR25	25mm	EA	\$1.54
HMDTR32	32mm	EA	\$1.79
HMDTR40	40mm	EA	\$2.39
HMDTR50	50mm	EA	\$3.03
HMDTR63	63mm	EA	\$3.59
HMDTR75	75mm	EA	\$2.92
HMDTR90	90mm	EA	\$4.18
HMDTR110	110mm	EA	\$5.88

#### Nut



Code	Metric	Pack Size	RRP
HMDN16	16mm	EA	\$2.74
HMDN20	20mm	EA	\$2.74
HMDN25	25mm	EA	\$3.03
HMDN32	32mm	EA	\$3.89
HMDN40	40mm	EA	\$5.68
HMDN50	50mm	EA	\$9.06
HMDN63	63mm	EA	\$14.40
HMDN75	75mm	EA	\$31.45
HMDN90	90mm	EA	\$38.97
HMDN110	110mm	EA	\$54.51

#### Grip Ring



Code	Metric	Pack Size	RRP
HMDGR16	16mm	EA	\$1.28
HMDGR20	20mm	EA	\$1.37
HMDGR25	25mm	EA	\$1.24
HMDGR32	32mm	EA	\$1.54
HMDGR40	40mm	EA	\$2.39
HMDGR50	50mm	EA	\$3.03
HMDGR63	63mm	EA	\$4.19
HMDGR75	75mm	EA	\$5.22
HMDGR90	90mm	EA	\$5.40
HMDGR110	110mm	EA	\$11.13

#### O Ring



Code	Metric	Pack Size	RRP
HMDORING16	16mm	EA	\$0.94
HMDORING20	20mm	EA	\$0.94
HMDORING25	25mm	EA	\$0.98
HMDORING32	32mm	EA	\$0.85
HMDORING40	40mm	EA	\$1.79
HMDORING50	50mm	EA	\$2.09
HMDORING63	63mm	EA	\$3.59
HMDORING75	75mm	EA	\$2.92
HMDORING90	90mm	EA	\$4.18
HMDORING110	110mm	EA	\$4.18

#### Seal



Code	Metric	Pack Size	RRP
HMDS20	20mm	EA	POA
HMDS25	25mm	EA	POA
HMDS32	32mm	EA	POA
HMDS40	40mm	EA	POA
HMDS50	50mm	EA	POA
HMDS63	63mm	EA	POA

### MD Chamfer Tool

*Deburring tool used to create a beveled edge on the end of MD pipe for easy and clean insertion of pipe into MD fittings.*

#### MD Chamfer Tool



Code	Description	Pack Size	RRP
HMDCHAMF	Tool for 20mm - 63mm Pipe	EA	\$75.21
HMDCHAMFL	Tool for 75mm - 110mm Pipe	EA	\$121.11

#### MD Chamfer Blades



Code	Description	Pack Size	RRP
HMDCHAMFB	Replacement Blades	10	\$23.60

Prices are in AUD and are inclusive of 10% GST. Recommended Retail Prices are indicative and Actual Retail Prices may vary between retailers.



### *Easy Fit* Compression Fittings Materials

**Nuts & Body:** High quality Polypropylene (Virgin PP)

**Grip Ring:** High quality Acetal (Virgin POM)

**Thrust Ring:** High quality Polypropylene (PP)

**O-Ring:** High quality Nitrile Rubber (NBR)

**Seal:** High quality Nitrile Rubber (NBR)

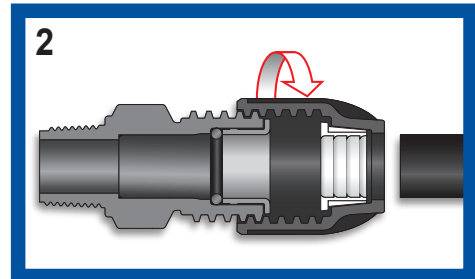
### *Easy Fit* Compression Fittings Quick & Easy Installation

#### EASY TO INSTALL

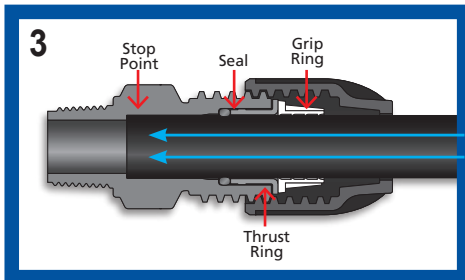
Reliable leak proof seals are the hallmark of any Hansen fitting and that's no exception when it comes to the *Easy Fit* Compression range, the simple steps make installation a breeze.



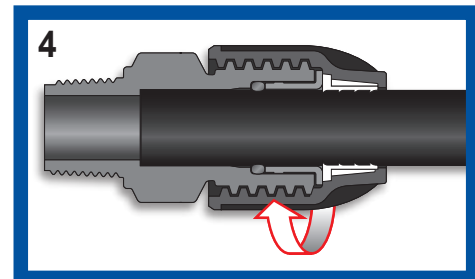
1. Cut and chamfer the pipe with pipe cutters, knife or saw. Ensure a square cut of pipe ends. Clean burrs from pipe ends. Keep the pipe end clean and as free of scratches and imperfections as possible.



2. Undo the Nut to the last thread, do not remove Nut from the Body.



3. Insert the pipe into the fitting through the Nut, White Grip Ring & Thrust Ring until it meets resistance at the Seal. Give the pipe a firm push past the Seal all the way until it hits the final stop point.



4. Firmly hand tighten the Nut. Use a pair of Poly Grips for a further half turn past hand tight for final tightening on 40mm fittings and greater.

The hydraulic seal is created when the pipe passes the Seal. Tightening the Nut is to achieve pull out resistance of the pipe.

Hansen Easy Fit Compression Fittings should be installed onto Medium Density pipe that has been installed in accordance with the following standards:

- AS/NZS 2566 Part 1 and Supplement "Buried Flexible Pipelines - Structural Design" Detailed Installation and Site Pressure Testing.
- AS/NZS 2566 Part 2 "Installation"
- AS/NZS 2033 Installation of Polyethylene Pipe Systems

For more information on best practice installations, please contact [info@hansenproducts.com](mailto:info@hansenproducts.com)

Failure to complete installation in accordance with the above standards, may void any warranties given by Hansen Products (NZ) Limited in respect to the Fitting. We recommend following pipe manufacturers guidelines.

## Easy Fit Compression Fittings TECHNICAL INFORMATION

### Easy Fit Compression Fittings Pipe Specifications

PE Pipe Dimensions AS/NZS 4130:2018 (Polyethylene pipes for pressure applications)

	Nominal Outside Diameter	Mean Outside Diameter		Wall Thickness		Working Pressure	
		Min	Max	Min	Max	MPa	psi
	mm	mm	mm	mm	mm		
PN6.3 - PE80	16	16.0	16.3	1.6*	1.9*	0.63	91.4
	20	20.0	20.3	1.6*	1.9*	0.63	91.4
	25	25.0	25.3	1.6*	1.9*	0.63	91.4
	32	32.0	32.3	1.6	1.9	0.63	91.4
	40	40.0	40.4	1.9	2.2	0.63	91.4
	50	50.0	50.5	2.4	2.8	0.63	91.4
	63	63.0	63.6	3.0	3.4	0.63	91.4
	75	75.0	75.7	3.6	4.1	0.63	91.4
	90	90.0	90.9	4.3	4.9	0.63	91.4
110	110.0	111.0	5.3	6.0	0.63	91.4	

PN9 - PE80	16	16.0	16.3	1.6*	1.9*	0.90	130.5
	20	20.0	20.3	1.6*	1.9*	0.90	130.5
	25	25.0	25.3	1.6*	1.9*	0.90	130.5
	32	32.0	32.3	1.9*	2.2*	0.90	130.5
	40	40.0	40.4	2.4*	2.8*	0.90	130.5
	50	50.0	50.5	3.0*	3.4*	0.90	130.5
	63	63.0	63.6	3.8*	4.3*	0.90	130.5
	75	75.0	75.7	4.5*	5.1*	0.90	130.5
	90	90.0	90.9	5.4*	6.1*	0.90	130.5
110	110.0	111.0	6.6*	7.4*	0.90	130.5	

PN 12.5 - PE80	16	16.0	16.3	1.6	1.9	1.25	181.3
	20	20.0	20.3	1.9	2.2	1.25	181.3
	25	25.0	25.3	2.3	2.7	1.25	181.3
	32	32.0	32.3	2.9	3.3	1.25	181.3
	40	40.0	40.4	3.7	4.2	1.25	181.3
	50	50.0	50.5	4.6	5.2	1.25	181.3
	63	63.0	63.6	5.8	6.5	1.25	181.3
	75	75.0	75.7	6.8	7.6	1.25	181.3
	90	90.0	90.9	8.2	9.2	1.25	181.3
110	110.0	111.0	10.0	11.1	1.25	181.3	

PN16 - PE100	16	16.0	16.3	1.6	1.9	1.60	232.1
	20	20.0	20.3	1.9	2.2	1.60	232.1
	25	25.0	25.3	2.3	2.7	1.60	232.1
	32	32.0	32.3	2.9	3.3	1.60	232.1
	40	40.0	40.4	3.7	4.2	1.60	232.1
	50	50.0	50.5	4.6	5.2	1.60	232.1
	63	63.0	63.6	5.8	6.5	1.60	232.1
	75	75.0	75.7	6.8	7.6	1.60	232.1
	90	90.0	90.9	8.2	9.2	1.60	232.1
110	110.0	111.0	10.0	11.1	1.60	232.1	

Pipe dimensions marked with an \* are not included in AS/NZS 4130:2018 thus have been included based on industry documentation.

## *Easy Fit* Compression Fittings Maximum Working Pressure

16mm to 63mm: 16 bar @ 20 degrees Celsius  
75mm to 110mm: 12.5 bar @ 20 degrees Celsius

## *Easy Fit* Compression Fittings Frequently Asked Questions

### Q. Can I use this fitting in my house water supply?

A. Yes, the Hansen *Easy Fit* Compression Fittings are potable water approved.

### Q. Will this fitting take over from the existing Hansen fitting?

A. No, the Hansen *Easy Fit* Compression Fittings are only for Medium Density poly pipe. This pipe is known as Metric or MDOD. It is a metric sized poly pipe, manufactured from a medium density material commonly known as PE80 and PE100. The Hansen *Easy Fit* Poly Fittings are for Low Density poly pipe or similar imperial ID pipe such as Australian Rural B poly pipe.

### Q. Does this fitting carry the Hansen Warranty?

A. Yes, all Hansen manufactured products carry our warranty.\*

### Q. Why would I use Hansen *Easy Fit* Compression Fittings on my property?

A. Your question should be 'why wouldn't I use Hansen *Easy Fit* Compression Fittings on my property?' They are manufactured in Whangarei, New Zealand, we have the complete range, it carries our Hansen Warranty\* and it also carries the Hansen brand, being the most used and trusted pipe fittings available in New Zealand for over 40

years.

### Q. Can I use Hansen *Easy Fit* Fittings under driveways, paths and foundations?

A. Hansen does not recommend the use of any Hansen *Easy Fit* Fittings under any driveways, paths, or foundations.

### Q. How tight should I tighten my *Easy Fit* Compression fittings?

A. Up to 32mm just tighten hand tight and all sizes above use a spanner to tighten another 1/2 to 1 turns past hand tight. Remember you already have a seal once the pipe is past the O-Ring, all the Nut is doing is compressing the Grip Ring onto the pipe to hold the pipe in place.

\*For more information on our warranty please go to Legal & Approvals section

## Easy Fit Compression Fittings TECHNICAL INFORMATION

### Easy Fit Compression Fittings Chemical Resistance Chart

#### CHEMICAL RESISTANCE DATA

These recommendations are based upon information from material suppliers and careful examination of available published information and are believed to be accurate. However, since the resistance of metals, plastics and elastomers can be affected by concentration, temperature, presence of other chemicals and other factors, this information should be considered as a general guide rather than an unqualified guarantee. Ultimately, the customer must determine the suitability of the fittings used in various solutions.

All recommendations assume ambient temperatures unless otherwise noted.

#### RATINGS - CHEMICAL EFFECT

A = No effect - Excellent  
B = Minor effect - Good  
C = Moderate effect - Fair  
D = Severe effect - Not Recommended

#### FOOTNOTES

1 - Polypropylene - Satisfactory to 22° C  
2 - Polypropylene - Satisfactory to 49° C  
3 - Buna-N - Satisfactory for "O" Rings  
4 - Polyacetal - Satisfactory to 22° C

Added consideration must be given to fitting selections when the chemical is Abrasive or Viscous in nature.

#### Acetaldehyde - Alcohols (Propyl)

	302 Stainless Steel	Polyacetal	Polypropylene	Buna N (Nitrile)
Acetaldehyde 4	A	A	B	B
Acetamide	-	B	-	A
Acetate Solv. 1	A	-	D	D
Acetic Acid, Glacia	-	D	B	D
Acetic Acid 20%	-	-	A	C
Acetic Acid 80%	-	-	B	C
Acetic Acid	-	D	A	C
Acetic Anhydride	B	D	A	A
Acetone	A	B	B	D
Acetyl Chloride	-	-	-	-
Acetylene 1	A	A	D	A
Acrylonitrile	A	B	B	D
<b>Alcohols</b>				
Amyl	A	A	B	A
Benzyl	-	A	A	D
Butyl	A	A	B	A
Diacetone 1	-	A	D	D
Ethyl	-	B	A	A
Hexyl	-	A	A	A
Isobutyl	-	A	A	C
Isopropyl	-	A	A	C
Methyl	-	C	A	B
Octyl	-	A	-	B
Propyl	-	A	A	A

A= No effect - Excellent    B= Minor effect - Good    C= Moderate effect - Fair    D= Severe effect - Not Recommended

This chart is for Hansen Easy Fit Compression Fittings.

## TECHNICAL INFORMATION *Easy Fit Compression Fittings*

### Aluminium Chloride - Barium Sulfate

	302 Stainless Steel	Polyacetal	Polypropylene	Buna N (Nitrile)
Aluminium Chloride 20%	-	C	A	A
Aluminium Chloride	C	-	A	A
Aluminium Fluoride	-	C	A	A
Aluminium Hydroxide	-	B	A	A
Alum Potassium Sulfate (Alum), 100%	-	C	A	A
Aluminium Sulfate	-	C	A	A
Amines	A	D	-	D
Ammonia 10%	-	-	A	D
Ammonia, Anhydrous	A	D	A	B
Ammonia, Liquids	-	D	A	B
Ammonia, Nitrate	-	C	A	A
Ammonium Bifluoride	-	D	A	A
Ammonium Carbonate	B	D	A	D
Ammonium Casenite	-	D	-	-
Ammonium Chloride	C	B	A	A
Ammonium Hydroxide	A	D	A	B
Ammonium Nitrate	A	C	A	A
Ammonium Oxalate	-	B	-	A
Ammonium Persulfate	-	D	A	A
Ammonium Phosphate, Dibasic	B	B	A	A
Ammonium Phosphate, Monobasic	-	B	A	A
Ammonium Phosphate, Tribasic	B	B	A	A
Ammonium Sulfate	C	B	A	A
Ammonium Thio-Sulfate	-	B	-	A
Amyl-Acetate	B	A	D	D
Amyl Alcohol	-	A	A	B
Amyl Chloride	-	A	D	D
Aniline	B	D	B	D
Anti-Freeze	-	A	A	A
Aqua Regia (80%, HCl, 20%, HNO)	-	D	C	D
Arochlor 1248	-	-	-	D
Aromatic Hydrocarbons	-	A	-	D
Arsenic Acid	B	D	A	A
Asphalt	-	A	A	B
Barium Carbonate	B	A	A	A
Barium Chloride	C	A	A	A
Barium Cyanide	-	B	-	C
Barium Hydroxide	B	D	A	A
Barium Nitrate	-	A	-	A
Barium Sulfate	B	A	A	A

A= No effect - Excellent    B= Minor effect - Good    C= Moderate effect - Fair    D= Severe effect - Not Recommended

This chart is for Hansen Easy Fit Compression Fittings.

Beet Sugar Liquids - Chlorobenzene

	302 Stainless Steel	Polyacetal	Polypropylene	Buna N (Nitrile)
Beet Sugar Liquids	A	B	A	A
Benzaldehyde 2	A	A	D	D
Benzene 1	B	A	D	D
Benzoic Acid 1	B	B	D	D
Benzol	-	A	A	D
Borax (Sodium Borate)	-	A	A	B
Boric Acid	B	A	A	A
Brewery Slop	-	A	-	A
Bromine (wet) 1	D	D	D	D
Butadiene	A	A	-	A
Butane 1	A	A	D	A
Butter	-	A	-	A
Buttermilk	A	A	-	A
Butylene	A	A	-	B
Butyl Acetate	-	A	D	B
Butyric Acid	B	C	A	D
Calcium Bisulfate	C	-	-	A
Calcium Bisulfide	-	D	A	A
Calcium Bisulfite	-	-	A	A
Calcium Carbonate	B	A	A	A
Calcium Chloride	C	D	A	A
Calcium Hydroxide	B	B	A	A
Calcium Hypochlorite	D	D	A	B
Calcium Sulfate	B	A	A	A
Calgon	-	B	A	A
Cane Juice 1	-	A	D	A
Carbon Bisulfide 1	B	A	D	D
Carbon Disulfide 1	-	A	D	D
Carbon Monoxide	-	A	A	A
Carbon Tetrachloride 1	B	A	D	C
Carbonated Water	B	A	A	A
Carbonic Acid	B	A	A	B
Catsup	-	B	A	A
Chloracetic Acid 1	D	D	D	D
Chloric Acid	-	-	-	D
Chlorinated Glue	-	-	-	C
Chlorine, Anhydrous Liquid	-	D	D	D
Chlorine (dry)	B	-	-	-
Chlorine Water	D	-	D	D
Chlorobenzene (Mono)	A	A	D	D

A= No effect - Excellent    B= Minor effect - Good    C= Moderate effect - Fair    D= Severe effect - Not Recommended

This chart is for Hansen Easy Fit Compression Fittings.

## TECHNICAL INFORMATION *Easy Fit Compression Fittings*

### Chloroform - Ferrous Chloride

	302 Stainless Steel	Polyacetal	Polypropylene	Buna N (Nitrile)
Chloroform	A	A	D	D
Chlorosulfonic Acid	D	D	D	D
Chlorox (Bleach)	-	D	D	C
Chocolate Syrup	-	A	A	A
Chromic Acid 5%	-	D	A	D
Chromic Acid 10%	-	-	A	D
Chromic Acid 30%	-	-	A	D
Chromic Acid 50%	C	D	B	D
Cider - A A A B	-	B	-	A
Citric Acid	-	B	B	D
Citric Oils	-	B	A	A
Coffee	A	A	A	A
Copper Chloride	C	B	A	A
Copper Cyanide	-	B	A	B
Copper Floborate	-	B	-	B
Copper Nitrate	B	B	A	A
Copper Sulfate (5% Sol)	-	B	A	A
Copper Sulfate	B	-	A	B
Cream	-	A	A	A
Cresols 1	-	D	C	D
Cresylic Acid	B	D	-	D
Cyclohexane	-	A	D	A
Cyanic Acid	-	D	-	C
Detergents	-	B	A	A
Diesel Fuel	A	A	D	A
Diethylamine	A	D	C	B
Diethylene Glycol	-	A	-	A
Diphenyl Oxide	-	A	-	D
Dyes	-	A	-	-
Epsom Salts (Magnesium Sulfate)	B	A	A	A
Ethane	A	A	-	A
Ethanolamine	-	D	-	B
Ether 2	A	A	-	D
Ethyl Acetate 1	-	A	C	D
Ethyl Chloride	-	A	D	D
Ethyl Sulfate	-	B	-	A
Ethylene Chloride 1	-	A	D	D
Ethylene Dichloride	-	A	A	D
Ethylene Glycol 3	-	A	A	A
Ethylene Oxide	-	A	-	D
Fatty Acids	-	A	A	C
Ferric Acid	-	B	A	D
Ferric Nitrate	-	B	A	A
Ferric Sulfate	-	B	A	B
Ferrous Chloride	-	B	A	B

This chart is for Hansen Easy Fit Compression Fittings.

## Easy Fit Compression Fittings

### TECHNICAL INFORMATION

#### Ferrous Sulfate - Hydrofluosilicic Acid

	302 Stainless Steel	Polyacetal	Polypropylene	Buna N (Nitrile)
Ferrous Sulfate	B	B	A	B
Fluoboric Acid	-	B	A	B
Fluorine	D	-	-	-
Fluosilicic Acid	-	B	A	A
Formaldehyde 40%	-	-	A	B
Formaldehyde	A	A	A	C
Formic Acid	C	D	A	D
Freon 111	A	A	-	C
Freon 12 (wet) 1	-	A	A	A
Freon 22	-	A	-	D
Freon 113	-	A	-	A
Freon T.F.4	-	A	D	A
Fruit Juice	A	B	A	A
Fuel Oils	A	A	B	A
Furan Resin	-	A	-	D
Furfural	A	B	D	D
Gallic Acid	B	-	-	A
Gasoline 3	A	A	C	A
Gelatin	A	A	A	A
Glucose	A	A	A	A
Glue P.V.A.	B	A	-	A
Glycerine	A	A	A	A
Glycolic Acid	-	C	A	A
Gold Monocyanide	-	A	-	A
Grape Juice	-	B	-	A
Grease 3	A	A	-	A
Heptane	A	A	D	A
Hexane	A	A	C	A
Honey	-	A	A	A
Hydraulic Oils (Petroleum)	A	A	D	A
Hydraulic Oils (Synthetic)	-	A	D	C
Hydrazine	-	D	-	B
Hydrobromic Acid 20%	-	-	A	D
Hydrobromic Acid 3	D	D	B	D
Hydrochloric Acid (Dry Gas)	D	-	-	-
Hydrochloric Acid 20% 3	-	D	A	C
Hydrochloric Acid 37% 3	-	D	A	C
Hydrochloric Acid 100%	-	-	-	D
Hydrocyanic Acid	A	B	A	C
Hydrofluoric Acid 20%	-	D	A	D
Hydrofluoric Acid 75% 1	-	D	B	D
Hydrofluoric Acid 100%	D	-	-	D
Hydrofluosilicic Acid 20%	-	D	A	B

A= No effect - Excellent    B= Minor effect - Good    C= Moderate effect - Fair    D= Severe effect - Not Recommended

This chart is for Hansen Easy Fit Compression Fittings.



## TECHNICAL INFORMATION *Easy Fit Compression Fittings*

### Hydrogen Gas - Methyl Acrylate

	302 Stainless Steel	Polyacetal	Polypropylene	Buna N (Nitrile)
Hydrogen Gas	A	-	-	-
Hydrogen Peroxide 10%	-	-	-	A
Hydrogen Peroxide 30%	-	-	A	D
Hydrogen Peroxide	-	D	A	D
Hydrogen Sulfide, Aqueous Solution	-	D	A	C
Hydrogen Sulfide (dry)	A	-	-	-
Hydroxyacetic Acid (70%)	-	D	-	A
Ink	A	A	-	A
Iodine	-	C	D	B
Iodine (in Alcohol)	-	-	B	D
Iodoform	B	-	-	-
Isotane 1	-	A	D	A
Isopropyl Acetate	-	A	-	D
Isopropyl Ether 1	A	A	D	B
Jet Fuel (JP#, JP4, JP5)	A	A	D	A
Kerosene 1	A	A	D	A
Ketones	A	B	D	D
Lacquers	A	A	A	D
Lacquer Thinners	-	-	B	D
Lactic Acid	A	B	A	B
Lard	B	A	A	A
Latex	-	A	-	A
Lead Acetate	B	A	A	B
Lead Sulfamate	-	A	A	B
Ligroin 2	-	A	D	A
Lime	-	D	-	A
Lubricants	-	A	A	A
Magnesium Carbonate	-	A	A	A
Magnesium Chloride	B	A	A	A
Magnesium Hydroxide	A	A	A	B
Magnesium Nitrate	-	A	A	A
Magnesium Oxide	-	A	-	A
Magnesium Sulfate	B	A	A	A
Maleic Acid	C	C	C	A
Maleic Anhydride	-	C	-	D
Malic Acid	B	-	-	D
Mash	-	A	-	-
Mayonnaise	A	A	A	A
Melamine	-	D	-	A
Mercuric Chloride (Dilute Solution)	D	A	A	C
Mercuric Cyanide	A	A	A	A
Mercury	A	A	A	A
Methanol (See Alcohol Methyl)				
Methyl Acetate	A	A	-	D
Methyl Acrylate	-	A	-	D

This chart is for Hansen Easy Fit Compression Fittings.

Methyl Acetone - Oils / Fuels

	302 Stainless Steel	Polyacetal	Polypropylene	Buna N (Nitrile)
Methyl Acetone	A	A	-	D
Methyl Alcohol 10%	A	-	-	B
Methyl Bromide	-	A	-	B
Methyl Butyl Ketone	-	B	-	D
Methyl Cellosolve	-	B	A	D
Methyl Chloride	-	A	D	D
Methyl Dichloride	-	A	-	D
Methyl Ethyl Ketone	-	B	A	D
Methyl Isobutyl Ketone 1	-	B	C	D
Methyl Isopropyl Ketone	-	B	-	D
Methyl Methacrylate	-	A	-	D
Methylamine	A	D	-	B
Methylene Chloride	A	A	D	D
Milk	A	A	A	A
Molasses	A	A	A	A
Mustard	A	B	A	B
Naptha	A	A	A	B
Napthalene	B	A	B	D
Nickel Chloride	-	B	A	A
Nickel Sulfate	B	B	A	A
Nitric Acid (10% Solution)	A	D	A	D
Nitric Acid (20% Solution)	-	D	A	D
Nitric Acid (50% Solution)	-	D	D	D
Nitric Acid (Concentrated Solution)	-	D	D	D
Nitrobenzene 1	B	B	C	D
<b>Oils</b>				
Aniline	-	D	A	D
Anise	-	A	-	-
Bay	-	A	-	-
Bone	-	A	-	A
Castor	-	A	-	A
Cinnamon	-	A	A	-
Citric	-	A	A	A
Clove	-	A	B	A
Coconut	-	A	A	A
Cod Liver	-	A	A	A
Corn	-	A	A	A
Cotton Seed	B	A	A	A
Cresote 1	-	D	D	A
Diesel Fuel (2D, 3D, 4D, 5D)	-	A	A	A
Fuel (1,2,3,5A, 5B, 6)	-	A	B	B

A= No effect - Excellent    B= Minor effect - Good    C= Moderate effect - Fair    D= Severe effect - Not Recommended

This chart is for Hansen Easy Fit Compression Fittings.

## TECHNICAL INFORMATION *Easy Fit Compression Fittings*

### Oils / Fuels (Cont'd) - Bronze Plating

	302 Stainless Steel	Polyacetal	Polypropylene	Buna N (Nitrile)
Ginger	-	A	-	A
Hydraulic (See Hydraulic Oils)				
Lemon	-	A	D	-
Linseed	-	A	A	A
Mineral	A	A	B	A
Olive	A	A	A	A
Orange	-	A	A	A
Palm	-	A	-	A
Peanut 2	-	A	D	A
Peppermint 1	-	A	D	D
Pine	A	A	-	A
Rape Seed	-	A	-	B
Rosin	-	A	A	A
Sesame Seed	-	A	-	A
Silicone	-	A	A	A
Soybean	-	A	A	A
Sperm	-	A	-	A
Tanning	-	A	-	A
Turbine	-	A	-	B
Oleic Acid	B	B	C	D
Oleum 25%	-	-	-	C
Oleum	B	D	D	B
Oxalic Acid (Cold)	C	C	A	A
Ozone	A	C	D	D
Paraffin	A	A	A	A
Pentane	A	A	-	C
Perchloroethylene 1	B	A	D	A
Petrolatum	A	A	-	D
Phenol 10%	B	-	-	D
Phenol (Carbolic Acid)	B	D	B	D
Phosphoric Acid (to 40% Solution)	-	D	A	D
Phosphoric Acid (40-100% Solution)	-	D	A	D
Phosphoric Acid (Crude)	-	D	-	D
Phosphoric Anhydride (Dry or Moist)	-	-	-	D
Phosphoric Anhydride (Molten)	-	-	-	C
Photographic (Developer)	-	C	A	A
Phthalic Anhydride	B	-	-	C
Picric Acid	B	-	-	A
Plating Solutions				
Antimony Plating 54°C	-	-	A	A
Arsenic Plating 43°C	-	-	A	A
Brass Plating				
Regular Brass Bath 38°C	-	-	A	A
High Speed Brass Bath 43°C	-	-	A	A
Bronze Plating				
Copper-Cadmium Bronze Bath R.T.	-	-	A	A
Copper-Tin Bronze Bath 71°C	-	-	A	A

This chart is for Hansen Easy Fit Compression Fittings.

## Easy Fit Compression Fittings TECHNICAL INFORMATION

### Platings (Cont'd) - Zinc Plating

	302 Stainless Steel	Polyacetal	Polypropylene	Buna N (Nitrile)
<b>Bronze Plating</b>				
Copper-Zinc Bronze Bath 38°C	-	-	A	A
<b>Cadmium Plating</b>				
Cyanide Bath 32°C	-	-	A	A
Fluoborate Bath 38°C	-	-	A	B
<b>Chromium Plating</b>				
Chromic-Sulfuric Bath 54°C	-	-	A	D
Fluosilicate Bath 35°C	-	-	A	D
Fluoride Bath 54°C	-	-	A	D
Black Chrome Bath 46°C	-	-	A	D
Barrel Chrome Bath 35°C	-	-	A	D
<b>Copper Plating (Cyanide)</b>				
Copper Strike Bath 49°C	-	-	A	-
Rochelle Salt Bath 66°C	-	-	A	A
High Speed Bath 82°C	-	-	A	A
<b>Copper Plating (Acid)</b>				
Copper Sulfate Bath R.T.	-	-	A	A
Copper Fluoborate Bath 49°C	-	-	A	B
<b>Copper (Misc.)</b>				
Copper Pyrophosphate 60°C	-	-	A	A
Copper (Electroless) 60°C	-	-	A	D
<b>Gold Plating</b>				
Cyanide 66°C	-	-	A	A
Neutral 24°C	-	-	A	A
Acid 24°C	-	-	A	A
Indium Sulfamate Plating R.T.	-	-	A	A
<b>Iron Plating</b>				
Ferrous Chloride Bath 88°C	-	-	C	B
Ferrous Sulfate Bath 66°C	-	-	A	A
Ferrous Am. Sulfate Bath 66°C	-	-	A	A
Sulfate-Chloride Bath 71°C	-	-	A	B
Fluoborate Bath 63°C	-	-	A	B
Sulfamate 60°C	-	-	A	A
Lead Fluoborate Plating	-	-	A	B
<b>Nickel Plating</b>				
Watts Type 46-71°C	-	-	A	A
High Chloride 54-71°C	-	-	A	A
Fluoborate 38-77°C	-	-	A	B
Sulfamate 38-60°C	-	-	A	A
Electroless 93°C	-	-	D	D
Rhodium Plating 49°C	-	D	A	A
Silver Plating 27-49°C	-	-	A	A
Tin-Fluoborate Plating 38°C	-	-	A	B
Tine-Lead Plating 38°C	-	-	A	B
<b>Zinc Plating</b>				
Acid Chloride 60°C	-	-	A	A
Acid Sulfate Bath 66°C	-	-	A	A

This chart is for Hansen Easy Fit Compression Fittings.

## TECHNICAL INFORMATION *Easy Fit Compression Fittings*

### Platings (Cont'd) - Sodium Hydrosulfite

	302 Stainless Steel	Polyacetal	Polypropylene	Buna N (Nitrile)
Acid Fluoborate Bath R.T.	-	-	A	B
Alkaline Cyanide Bath R.T.	-	-	A	A
Potash	-	B	A	A
Potassium Bicarbonate	-	C	A	A
Potassium Bromide	A	A	A	A
Potassium Carbonate	B	B	A	B
Potassium Chlorate	B	B	A	A
Potassium Chloride	C	A	A	A
Potassium Chromate	-	C	-	A
Potassium Cyanide Solutions	B	C	A	A
Potassium Dichromate	B	C	A	A
Potassium Ferrocyanide	B	-	-	D
Potassium Hydroxide (50%)	A	D	A	B
Potassium Nitrate	B	B	A	A
Potassium Permanganate	B	C	B	A
Potassium Sulfate	B	B	A	A
Potassium Sulfide	A	-	-	A
Propane (Liquified) 1	A	A	D	A
Propylene Glycol	B	B	-	A
Pyridine	-	D	B	D
Pyrogalllic Acid	B	D	-	A
Rosins	A	B	A	A
Rum	-	A	A	A
Rust Inhibitors	-	A	A	A
Salad Dressing	-	A	A	A
Sea Water	A	A	A	A
Shellac (Bleached)	A	A	A	A
Shellac (Orange)	A	A	A	A
Silicone	-	A	A	A
Silver Bromide	-	C	-	-
Silver Nitrate	B	C	A	C
Soap Solutions	A	A	A	A
<b>Soda Ash (See Sodium Carbonate)</b>				
Sodium Acetate	B	B	A	D
Sodium Aluminate	B	B	-	A
Sodium Bicarbonate	B	B	A	A
Sodium Bisulfate	A	B	A	A
Sodium Bisulfate	-	B	A	A
Sodium Borate	B	-	-	-
Sodium Carbonate	B	A	A	A
Sodium Chlorate	B	D	A	D
Sodium Chloride	B	A	A	A
Sodium Chromate	A	D	A	A
Sodium Cyanide	B	D	A	A
Sodium Fluoride	B	-	-	D
Sodium Hydrosulfite	-	-	-	-

A= No effect - Excellent    B= Minor effect - Good    C= Moderate effect - Fair    D= Severe effect - Not Recommended

This chart is for Hansen Easy Fit Compression Fittings.

Sodium Hydroxide - Tartaric Acid

	302 Stainless Steel	Polyacetal	Polypropylene	Buna N (Nitrile)
Sodium Hydroxide (20%)	-	D	A	A
Sodium Hydroxide (50% Solution)	-	D	A	D
Sodium Hydroxide (80% Solution)	-	D	A	D
Sodium Hypochlorite (to 20%)	-	D	D	C
Sodium Hypochlorite	D	-	A	B
Sodium Metaphosphate 1	A	B	D	A
Sodium Metasilicate	A	D	-	A
Sodium Nitrate	B	B	A	C
Sodium Perborate	B	B	A	B
Sodium Peroxide	B	D	-	C
Sodium Polyphosphate (Mono, Di, Tribasic)	-	B	-	A
Sodium Silicate	B	C	A	A
Sodium Sulfate	B	B	A	A
Sodium Sulfite	B	B	A	C
Sodium Sulfide	-	-	-	A
Sodium Tetraborate	-	B	-	A
Sodium Thiosulphate ("Hypo")	A	C	A	B
Sorghum	-	A	-	A
Soy Sauce	-	A	-	A
Stannic Chloride	D	C	A	A
Stannic Fluoborate	-	C	-	A
Stannous Chloride	D	-	-	C
Starch	B	A	-	A
Stearic Acid 1	B	A	D	B
Stoddard Solvent	A	A	D	B
Styrene	A	A	-	D
Sugar (Liquids)	A	A	A	A
Sulfate Liquors	-	D	A	-
Sulfur Chloride	-	D	D	D
Sulfur Dioxide 1	-	B	D	D
Sulfur Dioxide (dry)	A	-	-	-
Sulfur Trioxide (dry)	A	D	-	D
Sulfuric Acid (to 10%)	-	D	A	C
Sulfuric Acid 10%-75% 1	-	D	A	D
Sulfuric Acid 75%-100%	-	-	B	D
Sulfurous Acid	C	D	A	C
Syrup	-	A	A	A
Tallow	-	A	-	A
Tannic Acid	B	B	A	D
Tanning Liquors	-	B	A	C
Tartaric Acid	B	B	A	D

This chart is for Hansen Easy Fit Compression Fittings.

## TECHNICAL INFORMATION *Easy Fit Compression Fittings*

### Tetrachlorethane - Zinc Sulfate

	302 Stainless Steel	Polyacetal	Polypropylene	Buna N (Nitrile)
Tetrachlorethane	-	A	A	D
Tetrahydrofuran	-	A	C	D
Toluene, Toluol 2	A	A	D	D
Tomato Juice	A	B	A	A
Trichlorethane	-	A	-	D
Trichlorethylene 1	B	A	D	D
Trichloropropane	-	A	-	A
Tricresylphosphate	-	C	-	D
Triethylamine	-	D	-	A
Turpentine 2	B	A	B	D
Urine	-	A	A	A
Vegetable Juice	-	A	-	A
Vinegar	A	B	-	C
Varnish (Use Viton for Aromatic)	A	A	A	B
Water, Acid, Mine	-	D	A	A
Water, Distilled, Lab Grade 7	-	A	A	A
Water, Fresh	A	A	A	A
Water, Salt	-	A	A	A
Weed Killers	-	A	-	B
Whey	-	A	-	A
Whiskey & Wines	A	A	A	A
White Liquor (Pulp Mill)	-	D	A	A
White Water (Paper Mill)	-	B	A	-
Xylene 1	A	A	D	D
Zinc Chloride	D	C	A	A
Zinc Hydrosulphite	-	C	-	A
Zinc Sulfate	B	C	A	A

A= No effect - Excellent    B= Minor effect - Good    C= Moderate effect - Fair    D= Severe effect - Not Recommended

This chart is for Hansen Easy Fit Compression Fittings.

## How to Chamfer your MD Pipe



1. Cut pipe with pipe cutters, ensure a square cut of the pipe end.



2. Fit chamfering tool over the pipe end. The stepped chamfering tool will select the correct position for your pipe size.



3. Rotate the chamfering tool clockwise until the full circumference of the pipe is chamfered. Note the chamfering tool removes only a small amount of pipe.



4. Remove the chamfer tool to reveal the newly chamfered end. When installing the pipe, be sure to follow the pipe manufacturer and fitting manufacturer installation instructions.

The chamfering tool is designed to fit pipe that has been tested to and complies with AS/NZS 4130:2018



# Easy Fit Poly Fittings



Best Installed Value



In the late 1970s Bert Hansen developed a range of polythene (alkathene) easy to use “cold fit pipe fittings”. Back then this changed the way farmers joined pipes together. Today Hansen Products continues to develop & manufacture a range of poly fittings based on that original ‘70s design.

Hansen *Easy Fit* Poly Fittings are suitable for use above or below ground, in varying operating pressures and temperatures. They are strong, lightweight and compact and are available in a variety of thread combinations and connections.

With over 60 years experience in manufacturing, Hansen Products knows the importance that pipe fittings play in the performance and control of fluid delivery, flow and pressure within a pipe system. This has seen Hansen Products build a reputation for providing high performance, easy to use, innovative, simple products that provide our customers with “Best Installed Value”. All Hansen products carry our Hansen Warranty.\*

\*For more information on our warranty please go to Legal section

## Features and Benefits

- Trusted by farmers for over 40 years.
- Suitable for use above or below ground in varying operating pressures and temperatures.
- Strong, lightweight and compact.
- Available in a variety of thread combinations and connections.
- New Zealand Made.
- Simple to use one piece fitting - no components to lose, rust or corrode.
- Fast and easy to assemble – push the pipe onto the fitting and wind on the nut.
- No O-Ring, no Crimping, no solvent cement.
- Nut and barbs provide superior double strength grip – when fitted correctly the fitting will not leak or blow off the pipe.
- Manufactured from UV Stabilised High Quality Glass Fibre Reinforced Nylon giving a weather, termite, fungi and bacterial resistance.
- Material approved for use with potable (drinkable) water.
- Fittings demonstrate excellent hydraulic flow characteristics.

## Standards & Approvals

**AS/NZS 4020** HANSEN™ *Easy Fit* Poly Fittings from 15mm to 50mm have met the requirements of AS/NZS 4020 Australia & New Zealand drinking water test standard.

Fire Rating UL94HB See our website for further details on approvals.

Hansen *Easy Fit* Poly Fittings are designed for all sizes of Australian Rural (Class B), New Zealand Low Density Polyethylene Pipe LDPE, EnduroFlex and Irish Imperial Pipe. Hansen *Easy Fit* Poly Fittings are also suitable for other types of flexible pipe and hose i.e. thin wall irrigation tubing and rubber hoses. 45mm fittings are designed for special applications.

## Conversions

15mm - 1/2"	32mm - 1 1/4"
20mm - 3/4"	40mm - 1 1/2"
25mm - 1"	50mm - 2"
45mm - Special Application	

16 Bar – 1600 kPa – 235 psi
20° Celcius – 68° Fahrenheit



*Hansen Reducing Straight Coupling (HRS) in use*



*Hansen Straight Coupling (HS) in use*

## Easy Fit Poly Fittings

Used for connecting Low Density Polyethylene Pipe (LDPE) and Enduroflex. Can also be used to connect flexible pipe and hose.

### Straight Coupling

Pipe Size x Pipe Size



Code	Metric	Imperial	Pack Size	RRP
HS15	15mm x 15mm	1/2" x 1/2"	EA	\$6.82
HS20	20mm x 20mm	3/4" x 3/4"	EA	\$8.31
HS25	25mm x 25mm	1" x 1"	EA	\$10.84
HS32	32mm x 32mm	1 1/4" x 1 1/4"	EA	\$15.90
HS40	40mm x 40mm	1 1/2" x 1 1/2"	EA	\$19.31
HS45	45mm x 45mm	1 3/4" x 1 3/4"	EA	\$43.34
HS50	50mm x 50mm	2" x 2"	EA	\$33.55

### Long Straight Coupling

Pipe Size x Pipe Size



Code	Metric	Imperial	Pack Size	RRP
HLS15	15mm x 15mm	1/2" x 1/2"	EA	\$6.89
HLS20	20mm x 20mm	3/4" x 3/4"	EA	\$10.12
HLS25	25mm x 25mm	1" x 1"	EA	\$12.98

### Reducing Straight Coupling

Pipe Size x Pipe Size



Code	Metric	Imperial	Pack Size	RRP
HRS2015	20mm x 15mm	3/4" x 1/2"	EA	\$8.33
HRS2515	25mm x 15mm	1" x 1/2"	EA	\$8.33
HRS2520	25mm x 20mm	1" x 3/4"	EA	\$10.84
HRS3220	32mm x 20mm	1 1/4" x 3/4"	EA	\$13.64
HRS3225	32mm x 25mm	1 1/4" x 1"	EA	\$15.40
HRS4032	40mm x 32mm	1 1/2" x 1 1/4"	EA	\$20.02
HRS4540	45mm x 40mm	1 3/4" x 1 1/2"	EA	\$45.10
HRS5040	50mm x 40mm	2" x 1 1/2"	EA	\$33.55

Used for connecting Low Density Polyethylene Pipe (LDPE) and Enduroflex to Female Threads. Can also be used to connect flexible pipe and hose.

### Male Straight Coupling

BSPT Thread Size x Pipe Size



Code	Metric	Imperial	Pack Size	RRP
HMS15	15mm x 15mm	1/2" x 1/2"	EA	\$4.60
HMS20	20mm x 20mm	3/4" x 3/4"	EA	\$5.56
HMS25	25mm x 25mm	1" x 1"	EA	\$7.15
HMS32	32mm x 32mm	1 1/4" x 1 1/4"	EA	\$9.85
HMS40	40mm x 40mm	1 1/2" x 1 1/2"	EA	\$12.93
HMS45	50mm x 45mm	2" x 1 3/4"	EA	\$34.21
HMS50	50mm x 50mm	2" x 2"	EA	\$21.40

## Easy Fit Poly Fittings

Used for connecting Low Density Polyethylene Pipe (LDPE) and Enduroflex to Male Threads. Can also be used to connect flexible pipe and hose.

### Female Straight Coupling

BSPT Thread Size x Pipe Size



Code	Metric	Imperial	Pack Size	RRP
HFS15	15mm x 15mm	1/2" x 1/2"	EA	\$6.05
HFS20	20mm x 20mm	3/4" x 3/4"	EA	\$6.77
HFS25	25mm x 25mm	1" x 1"	EA	\$8.47
HFS32	32mm x 32mm	1 1/4" x 1 1/4"	EA	\$11.99
HFS40	40mm x 40mm	1 1/2" x 1 1/2"	EA	\$16.12
HFS40NPT*	40mm x 40mm NPT	1 1/2" x 1 1/2" NPT	EA	\$16.12
HFS50	50mm x 50mm	2" x 2"	EA	\$26.18

\*non stock item, available on request

Used for connecting Low Density Polyethylene Pipe (LDPE) and Enduroflex to Female Threads. Can also be used to connect flexible pipe and hose.

### Reducing Male Straight Coupling

BSPT Thread Size x Pipe Size



Code	Metric	Imperial	Pack Size	RRP
HRMS1520	15mm x 20mm	1/2" x 3/4"	EA	\$5.55
HRMS2015	20mm x 15mm	3/4" x 1/2"	EA	\$7.15
HRMS2025	20mm x 25mm	3/4" x 1"	EA	\$7.15
HRMS2515	25mm x 15mm	1" x 1/2"	EA	\$7.13
HRMS2520	25mm x 20mm	1" x 3/4"	EA	\$7.15

Used for connecting Low Density Polyethylene Pipe (LDPE) and Enduroflex to Male Threads. Can also be used to connect flexible pipe and hose.

### Reducing Female Straight Coupling

BSPT Thread Size x Pipe Size



Code	Metric	Imperial	Pack Size	RRP
HRFS2015	20mm x 15mm	3/4" x 1/2"	EA	\$6.75
HRFS2520	25mm x 20mm	1" x 3/4"	EA	\$8.47
HRFS3225	32mm x 25mm	1 1/4" x 1"	EA	\$11.72
HRFS4032	40mm x 32mm	1 1/2" x 1 1/4"	EA	\$15.73
HRFS5040	50mm x 40mm	2" x 1 1/2"	EA	\$26.18

Prices are in AUD and are inclusive of 10% GST. Recommended Retail Prices are indicative and Actual Retail Prices may vary between retailers.

## Easy Fit Poly Fittings

*Fits Aluminium & Polypropylene Camlocks. The Hansen 45mm Camlock fits the Irripod 45mm Pipe System.*



**Male Camlock**  
Male Camlock x Pipe Size

Code	Metric	Imperial	Pack Size	RRP
HCEP32	32mm	1 1/4"	EA	\$24.83
HCEP40	40mm	1 1/2"	EA	\$22.77
HCEP45	45mm	1 3/4"	EA	\$41.25

*Used in Irripod Irrigation to attach the Tow Rope and Ball to the end of the pipe line.*



**Tow Eye**  
Pipe Size x Tow Eye  
LDPE Pipe

Code	Metric	Imperial	Pack Size	RRP
PODTE32	32mm	1 1/4"	EA	\$35.75
PODTE40	40mm	1 1/2"	EA	\$45.71
PODTE45	45mm	1 3/4"	EA	\$51.32

*Used for connecting Low Density Polyethylene Pipe (LDPE) and Enduroflex. Can also be used to connect flexible pipe and hose.*



**Tee Connector**  
Pipe Size x Pipe Size x Pipe Size

Code	Metric	Imperial	Pack Size	RRP
HT15	15mm x 15mm x 15mm	1/2" x 1/2" x 1/2"	EA	\$11.99
HT20	20mm x 20mm x 20mm	3/4" x 3/4" x 3/4"	EA	\$15.40
HT25	25mm x 25mm x 25mm	1" x 1" x 1"	EA	\$20.68
HT32	32mm x 32mm x 32mm	1 1/4" x 1 1/4" x 1 1/4"	EA	\$30.25
HT40	40mm x 40mm x 40mm	1 1/2" x 1 1/2" x 1 1/2"	EA	\$41.58
HT50	50mm x 50mm x 50mm	2" x 2" x 2"	EA	\$61.71

## Easy Fit Poly Fittings

Used for connecting Low Density Polyethylene Pipe (LDPE) and Enduroflex. Can also be used to connect flexible pipe and hose.

### Reducing Tee Connector

Pipe Size x Pipe Size x Pipe Size



Code	Metric	Imperial	Pack Size	RRP
HRT1520	15mm x 15mm x 20mm	1/2" x 1/2" x 3/4"	EA	\$15.41
HRT2015	20mm x 20mm x 15mm	3/4" x 3/4" x 1/2"	EA	\$15.41
HRT2025	20mm x 20mm x 25mm	3/4" x 3/4" x 1"	EA	\$20.68
HRT2515	25mm x 25mm x 15mm	1" x 1" x 1/2"	EA	\$20.68
HRT2520	25mm x 25mm x 20mm	1" x 1" x 3/4"	EA	\$20.68
HRT3220	32mm x 32mm x 20mm	1 1/4" x 1 1/4" x 3/4"	EA	\$30.25
HRT3225	32mm x 32mm x 25mm	1 1/4" x 1 1/4" x 1"	EA	\$30.25
HRT4025	40mm x 40mm x 25mm	1 1/2" x 1 1/2" x 1"	EA	\$41.58
HRT4032	40mm x 40mm x 32mm	1 1/2" x 1 1/2" x 1 1/4"	EA	\$41.58
HRT5032	50mm x 50mm x 32mm	2" x 2" x 1 1/4"	EA	\$61.71
HRT5040	50mm x 50mm x 40mm	2" x 2" x 1 1/2"	EA	\$61.71

Used for connecting Low Density Polyethylene Pipe (LDPE) and Enduroflex to Female Threads. Can also be used to connect flexible pipe and hose.

### Male Threaded Tee Connector

BSPT Thread Size x Pipe Size x Pipe Size



Code	Metric	Imperial	Pack Size	RRP
HMT1520	15mm x 20mm x 20mm	1/2" x 1/2" x 3/4"	EA	\$9.67
HMT2020	20mm x 20mm x 20mm	3/4" x 3/4" x 3/4"	EA	\$12.21

Used for connecting Low Density Polyethylene Pipe (LDPE) and Enduroflex to Male Threads. Can also be used to connect flexible pipe and hose.

### Female Threaded Tee Connector

BSPT Thread Size x Pipe Size x Pipe Size



Code	Metric	Imperial	Pack Size	RRP
HFT15	15mm x 15mm x 15mm	1/2" x 1/2" x 1/2"	EA	\$9.67
HFT20	20mm x 20mm x 20mm	3/4" x 3/4" x 3/4"	EA	\$12.21
HFT25	25mm x 25mm x 25mm	1" x 1" x 1"	EA	\$16.83
HFT32	32mm x 32mm x 32mm	1 1/4" x 1 1/4" x 1 1/4"	EA	\$24.53
HFT40	40mm x 40mm x 40mm	1 1/2" x 1 1/2" x 1 1/2"	EA	\$35.53
HFT50	50mm x 50mm x 50mm	2" x 2" x 2"	EA	\$50.05

Prices are in AUD and are inclusive of 10% GST. Recommended Retail Prices are indicative and Actual Retail Prices may vary between retailers.

## Easy Fit Poly Fittings

Used for connecting Low Density Polyethylene Pipe (LDPE) and Enduroflex. Can also be used to connect flexible pipe and hose.



**Bend**  
Pipe Size x Pipe Size

Code	Metric	Imperial	Pack Size	RRP
HB15	15mm x 15mm	1/2" x 1/2"	EA	\$9.28
HB20	20mm x 20mm	3/4" x 3/4"	EA	\$11.61
HB25	25mm x 25mm	1" x 1"	EA	\$14.63
HB32	32mm x 32mm	1 1/4" x 1 1/4"	EA	\$21.34
HB40	40mm x 40mm	1 1/2" x 1 1/2"	EA	\$30.25
HB50	50mm x 50mm	2" x 2"	EA	\$44.11

Used for connecting Low Density Polyethylene Pipe (LDPE) and Enduroflex to Female Threads. Can also be used to connect flexible pipe and hose.



**Male Bend Short**  
BSPT Thread Size x Pipe Size

Code	Metric	Imperial	Pack Size	RRP
HMBS15	15mm x 15mm	1/2" x 1/2"	EA	\$10.96
HMBS20	20mm x 20mm	3/4" x 3/4"	EA	\$13.31
HMBS25	25mm x 25mm	1" x 1"	EA	\$17.05
HMBS32	32mm x 32mm	1 1/4" x 1 1/4"	EA	\$22.11
HMBS40	40mm x 40mm	1 1/2" x 1 1/2"	EA	\$26.29
HMBS50	50mm x 50mm	2" x 2"	EA	\$36.74



**Male Bend Long**  
BSPT Thread Size x Pipe Size

Code	Metric	Imperial	Pack Size	RRP
HMB15	15mm x 15mm	1/2" x 1/2"	EA	\$10.96
HMB20	20mm x 20mm	3/4" x 3/4"	EA	\$13.31
HMB25	25mm x 25mm	1" x 1"	EA	\$17.05

Used for connecting Low Density Polyethylene Pipe (LDPE) and Enduroflex to Male Threads. Can also be used to connect flexible pipe and hose.



**Female Bend**  
BSPT Thread Size x Pipe Size

Code	Metric	Imperial	Pack Size	RRP
HFB15	15mm x 15mm	1/2" x 1/2"	EA	\$8.69
HFB20	20mm x 20mm	3/4" x 3/4"	EA	\$8.80
HFB25	25mm x 25mm	1" x 1"	EA	\$10.95
HFB32	32mm x 32mm	1 1/4" x 1 1/4"	EA	\$16.50
HFB40	40mm x 40mm	1 1/2" x 1 1/2"	EA	\$22.66
HFB50	50mm x 50mm	2" x 2"	EA	\$32.78

## Easy Fit Poly Fittings

Used for connecting Low Density Polyethylene Pipe (LDPE) and Enduroflex to Female Threads. Can also be used to connect flexible pipe and hose.

### Reducing Male Bend Long

BSPT Thread Size x Pipe Size



Code	Metric	Imperial	Pack Size	RRP
HRMB1520	15mm x 20mm	1/2" x 3/4"	EA	\$14.83
HRMB2015	20mm x 15mm	3/4" x 1/2"	EA	\$12.44
HRMB2025	20mm x 25mm	3/4" x 1"	EA	\$18.87
HRMB2520	25mm x 20mm	1" x 3/4"	EA	\$17.93

Used for connecting Low Density Polyethylene Pipe (LDPE) and Enduroflex to Male Threads. Can also be used to connect flexible pipe and hose.

### Reducing Female Bend

BSPT Thread Size x Pipe Size



Code	Metric	Imperial	Pack Size	RRP
HRFB1520	15mm x 20mm	1/2" x 3/4"	EA	\$8.66
HRFB2015	20mm x 15mm	3/4" x 1/2"	EA	\$8.80
HRFB2520	25mm x 20mm	1" x 3/4"	EA	\$10.95
HRFB3225	32mm x 25mm	1 1/4" x 1"	EA	\$16.50
HRFB4032	40mm x 32mm	1 1/2" x 1 1/4"	EA	\$22.66
HRFB5040	50mm x 40mm	2" x 1 1/2"	EA	\$32.78

Used for connecting taps to Low Density Polyethylene Pipe (LDPE) and EnduroFlex. Can also be used to connect taps to flexible pipe and hose.



### Bracket Elbow

BSPT Thread Size x Pipe Size

Code	Metric	Imperial	Pack Size	RRP
HBE15	15mm x 15mm	1/2" x 1/2"	EA	\$11.82
HBE20	20mm x 20mm	3/4" x 3/4"	EA	\$15.73



### Reducing Bracket Elbow


BSPT Thread Size x Pipe Size

HBE1520	15mm x 20mm	1/2" x 3/4"	EA	\$15.69
HBE2015	20mm x 15mm	3/4" x 1/2"	EA	\$15.69




## Easy Fit Poly Fittings

### Replacement Nuts for the Easy Fit Poly Fittings range.

Poly Nut	Code	Metric	Imperial	Pack Size	RRP
	HPN15*	15mm	1/2"	EA	\$1.34
	HPN20*	20mm	3/4"	EA	\$1.77
	HPN25*	25mm	1"	EA	\$2.39
	HPN32*	32mm	1 1/4"	EA	\$3.68
	HPN40*	40mm	1 1/2"	EA	\$5.84
	HPN45*	45mm	1 3/4"	EA	\$7.84
	HPN50*	50mm	2"	EA	\$7.46

\*Non stock item, available on request

Lilac Nut	Code	Metric	Imperial	Pack Size	RRP
	HPNL45	45mm	1 3/4"	EA	\$9.24

## *Easy Fit Poly Fittings* TECHNICAL INFORMATION

### *Easy Fit* Poly Fittings Quick & Easy Installation

- All pipe work must be adequately supported.
- Use either a thread sealing paste or tape on all threaded connections, we recommend Loctite 5331.
- Fittings should be installed as per applicable standards and approvals for pipe and fittings. Failure to complete installation in accordance with applicable standards and approvals may void warranties given by Hansen Products (NZ) Limited in respect to the fitting. We recommend following pipe manufacturers guidelines.



1. Cut the pipe with pipe cutters, a knife or saw. Ensure a square cut of pipe ends. Clean burrs off pipe. When making a repair in a burst pipe make sure the length of the cut away matches the length of the replacement fitting between the screwed on nuts.



2. Ensure the nut is fully wound back onto the body of the fitting. Push the pipe onto the fitting and as far as possible into the nut.



3. Wind the nut onto the pipe a few turns. Tighten with spanner or pipe grips.

## TECHNICAL INFORMATION *Easy Fit Poly Fittings*

### *Easy Fit* Poly Fittings Chemical Resistance Chart

CHEMICAL TYPE	RESISTANCE LEVEL		
	Good	OK But Check Further	BAD Try to Avoid
Acids Weak			X
Acids Strong			X
Organic Acids Weak		X	
Organic Acids Strong			X
Bases Weak	X		
Bases Strong		X	
Bleach			X
CHEMICAL TYPE	RESISTANCE LEVEL		
Automotive Fuel	X		
Automotive Lubricants	X		
Hydraulic Fluids	X		
CHEMICAL TYPE	RESISTANCE LEVEL		
Solvents		X	
Hydrocarbons	X		
Halogens			X
Alcohols		X	
Aldehydes			X
Amines			X
Esters	X		
Ethers	X		
Ketones		X	
CHEMICAL TYPE	RESISTANCE LEVEL		
Detergents	X		
Oxidising Agents			X
Weak Hydrogen Peroxide		X	
Ozone			X
Phenols			X

POLY

PLEASE NOTE: This chart is intended as a basic guide only. The resistance to a given chemical will vary with temperature & concentrations. Some chemicals within the group mentioned may result in different rating. For further information, please email us with your specific question.

## Easy Fit Poly Fittings TECHNICAL INFORMATION

### Easy Fit Poly Fittings Specifications

STANDARD NZS 7601:1978 (New Zealand) Polyethylene Pipe (Type 3) For Cold Water Service

Nominal Bore	Inside Diameter		Outside Diameter		Wall Thickness		Working Pressure	
	Min	Max	Min	Max	Min	Max	MPa	psi
mm	mm	mm	mm	mm	mm	mm		
15	11.7	12.7	16.9	17.3	2.3	2.6	0.90	130.50
20	17.9	19.2	24.9	25.4	3.1	3.5	0.80	116.00
25	24.2	25.6	31.2	31.8	3.1	3.5	0.65	94.25
32	30.5	31.9	37.5	38.1	3.1	3.5	0.50	72.50
40	36.8	38.3	43.8	44.5	3.1	3.5	0.45	65.25
50	49.5	51.0	56.5	57.2	3.1	3.5	0.35	50.75

### Easy Fit Poly Fittings Maximum Working Pressures

The pressure rating for the *Easy Fit* Poly Fittings is 16 Bar @ 20 degrees C.

### Easy Fit Poly Fittings Frequently Asked Questions

**Q How tight should I tighten my fittings?**

**A** Wind the nut by hand onto pipe as tight as possible. Use a spanner or pipe grips to tighten until nut is firm on pipe.

**Q What type of pipe will Hansen *Easy Fit* Poly Fittings connect to?**

**A** LDPE (Low Density Polyethylene Pipe), EnduroFlex, Australian Rural Class B, Irish Imperial Polyethylene Pipes (including wash down hose and non toxic tube).

**Q What is the best size of pipe for my needs?**

**A** Refer to a qualified water reticulation installer for professional advice to suit your needs.

**Q Can I use my Hansen *Easy Fit* Poly Fittings with my swimming pool/spa pool set up?**

**A** No, as the high concentration of chlorine used in the water for pools will attack the material. The fitting material is only suitable for use with domestic water. Hansen products that are used in this application will not be covered by the Hansen Warranty.

**Q Can I use *Easy Fit* Fittings under driveways, paths and foundations?**

**A** Hansen does not recommend the use of any Hansen *Easy Fit* Fittings under any driveways, paths, or foundations.

**Q What temperature can I use Hansen *Easy Fit* Poly Fittings at?**

**A** Hansen have tested all its products for use with cold water up to a maximum temperature of 60°C (140°F). We do not recommend the use of these products with temperatures higher than 60°C (140°F) as plastic expands due to temperature increases. Hansen cannot guarantee the products will perform when used with temperatures over 60°C (140°F). Hansen products that have failed in temperatures higher than 60°C (140°F) will not be covered by the Hansen Warranty.

**Q Can I use Hansen *Easy Fit* Poly Fittings in marine applications?**

**A** Yes. While marine applications vary, Hansen *Easy Fit* Poly fittings are resistant to sea water. The fittings will not leach any substances that will be harmful to marine life. Hansen *Easy Fit* Poly fittings have provided excellent service in marine applications for many years without failure. If you require further information, please contact us by email with details regarding your application.

# True Fit Threaded Fittings



Best Installed Value



After the success of the Hansen Polythene Pipe Fittings, Hansen Products decided to design and manufacture a range of *True Fit* Threaded Pipe Fittings as there was a high demand for non-metallic threaded fittings. The Hansen range of *True Fit* Threaded Fittings is one of the largest ranges of durable, high strength, commercial quality Threaded Pipe Fittings in the Southern Hemisphere with over 250 products in the range.

Hansen *True Fit* Threaded Fittings are suitable for use above or below ground, in varying operating pressures and temperatures. They are strong, lightweight and compact and are available in a variety of thread combinations and connections.

With over 60 years experience in manufacturing, Hansen Products knows the importance that pipe fittings play in the performance and control of fluid delivery, flow and pressure within a pipe system. This has seen Hansen Products build a reputation for providing high performance, easy to use, innovative, simple products that provide our customers with "Best Installed Value". All Hansen products carry our Hansen Warranty.\*

\*For more information on our warranty please go to Legal section

## Features and Benefits

- Largest range of durable, high strength, commercial quality threaded pipe fittings in the southern hemisphere.
- Precision heavy duty tapered threads give a strong reliable seal.
- Manufactured from a raw material approved for use with potable (drinkable) water.
- Manufactured from high quality glass fibre reinforced nylon giving a weather, termite, fungi & bacteria resistant.
- Common applications include horticultural, agricultural, irrigation, marine & plumbing.
- Material strong enough to minimise potential cross threading.
- Suitable for use above or below ground in varying operating pressures and temperatures.
- Strong, lightweight and compact.
- Available in a variety of thread combinations and connections.
- New Zealand Made.

## Standards & Approvals

**AS/NZS 4020 HANSEN™ *True Fit* Threaded Fittings** from 6mm to 100mm have met the requirements of AS/NZS 4020 Australia & New Zealand drinking water test standard.

**WRAS approval** means that HANSEN™ *True Fit* Threaded Fittings are approved for use with potable (drinkable) water, and that they will not leach contaminants into the water.

See our website for further details on approvals.

## Conversions

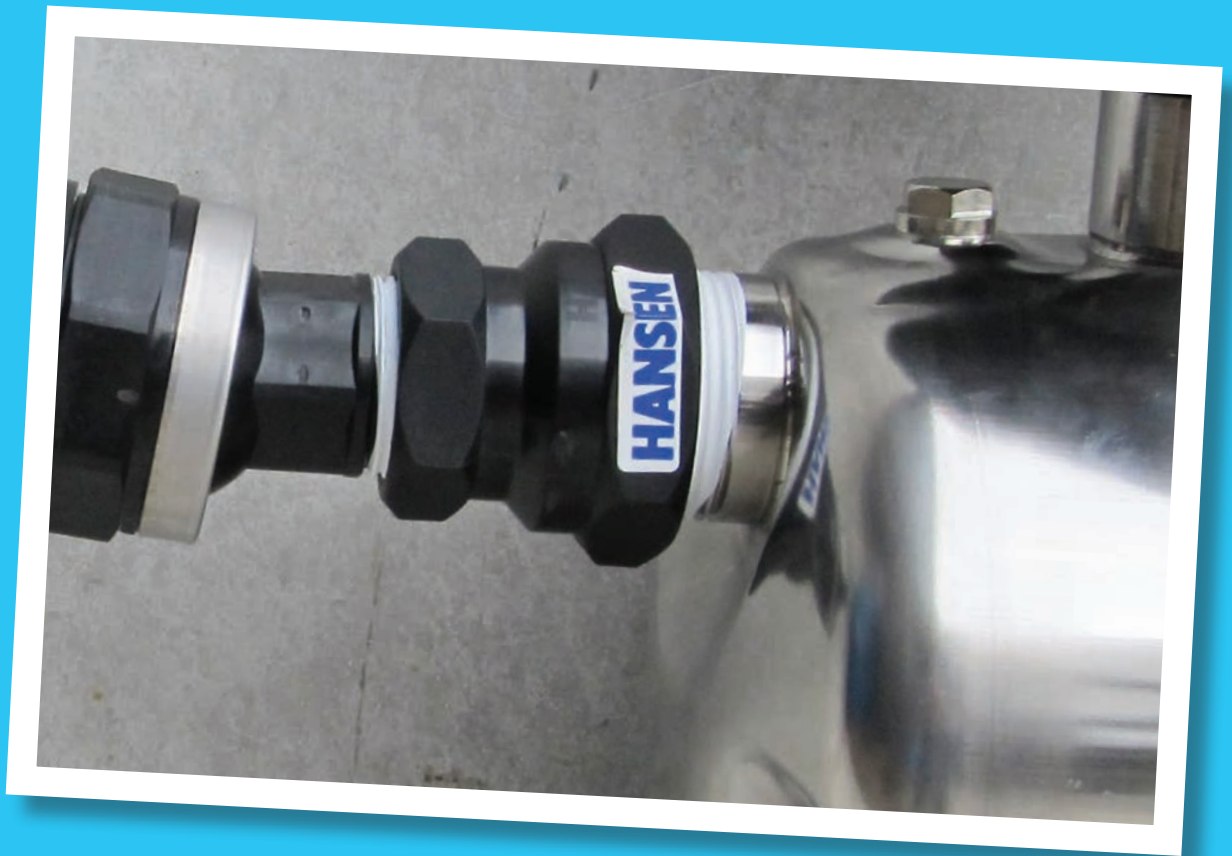
6mm - 1/8"	20mm - 3/4"	50mm - 2"
8mm - 1/4"	25mm - 1"	65mm - 2 1/2"
10mm - 3/8"	32mm - 1 1/4"	80mm - 3"
15mm - 1/2"	40mm - 1 1/2"	100mm - 4"

16 Bar – 1600 kPa – 235 psi
12 Bar – 1200 kPa – 175 psi
10 Bar – 1000 kPa – 145 psi
<hr/>
20° Celcius – 68° Fahrenheit

THREADED



*Hansen Threaded Male/Female Elbow (HTMFE) in use with Maxflo Valve*



*Hansen Reducing Hex Socket (HSRS) in use*

## True Fit Threaded Fittings

Used to connect Female Threads.

**Hex Nipple**  
BSPT x BSPT



Code	Metric	Imperial	Pack Size	RRP
HSN06	6mm x 6mm	1/8" x 1/8"	EA	\$2.01
HSN08	8mm x 8mm	1/4" x 1/4"	EA	\$2.10
HSN10	10mm x 10mm	3/8" x 3/8"	EA	\$2.10
HSN15	15mm x 15mm	1/2" x 1/2"	EA	\$2.10
HSN20	20mm x 20mm	3/4" x 3/4"	EA	\$2.44
HSN25	25mm x 25mm	1" x 1"	EA	\$2.34
HSN32	32mm x 32mm	1 1/4" x 1 1/4"	EA	\$3.54
HSN40	40mm x 40mm	1 1/2" x 1 1/2"	EA	\$4.36
HSN50	50mm x 50mm	2" x 2"	EA	\$6.16
HSN65	65mm x 65mm	2 1/2" x 2 1/2"	EA	\$13.98
HSN80	80mm x 80mm	3" x 3"	EA	\$15.75
HSN100	100mm x 100mm	4" x 4"	EA	\$32.60

Used as a reducing join, to join two Female Threads.

**Reducing Hex Nipple**  
BSPT x BSPT



Code	Metric	Imperial	Pack Size	RRP
HRHN0806	8mm x 6mm	1/4" x 1/8"	EA	\$2.10
HRHN1006	10mm x 6mm	3/8" x 1/8"	EA	\$2.10
HRHN1008	10mm x 8mm	3/8" x 1/4"	EA	\$2.10
HRHN1506	15mm x 6mm	1/2" x 1/8"	EA	\$2.26
HRHN1508	15mm x 8mm	1/2" x 1/4"	EA	\$2.40
HRHN1510	15mm x 10mm	1/2" x 3/8"	EA	\$2.44
HRHN2010	20mm x 10mm	3/4" x 3/8"	EA	\$2.44
HRHN2015	20mm x 15mm	3/4" x 1/2"	EA	\$2.44
HRHN2515	25mm x 15mm	1" x 1/2"	EA	\$2.78
HRHN2520	25mm x 20mm	1" x 3/4"	EA	\$2.78
HRHN3220	32mm x 20mm	1 1/4" x 3/4"	EA	\$3.54
HRHN3225	32mm x 25mm	1 1/4" x 1"	EA	\$3.54
HRHN4020	40mm x 20mm	1 1/2" x 3/4"	EA	\$4.36
HRHN4025	40mm x 25mm	1 1/2" x 1"	EA	\$4.36
HRHN4032	40mm x 32mm	1 1/2" x 1 1/4"	EA	\$4.36
HRHN5020	50mm x 20mm	2" x 3/4"	EA	\$6.16
HRHN5025	50mm x 25mm	2" x 1"	EA	\$6.16
HRHN5032	50mm x 32mm	2" x 1 1/4"	EA	\$6.16
HRHN5040	50mm x 40mm	2" x 1 1/2"	EA	\$6.16
HRHN6532	65mm x 32mm	2 1/2" x 1 1/4"	EA	\$14.46
HRHN6540	65mm x 40mm	2 1/2" x 1 1/2"	EA	\$14.46

Prices are in AUD and are inclusive of 10% GST. Recommended Retail Prices are indicative and Actual Retail Prices may vary between retailers.

## True Fit Threaded Fittings

...continued from previous page

### Reducing Hex Nipple BSPT x BSPT



HRHN6550	65mm x 50mm	2 1/2" x 2"	EA	\$14.46
HRHN8040	80mm x 40mm	3" x 1 1/2"	EA	\$16.98
HRHN8050	80mm x 50mm	3" x 2"	EA	\$16.98
HRHN8065	80mm x 65mm	3" x 2 1/2"	EA	\$16.98
HRHN10050	100mm x 50mm	4" x 2"	EA	\$31.24
HRHN10065	100mm x 65mm	4" x 2 1/2"	EA	\$31.24
HRHN10080	100mm x 80mm	4" x 3"	EA	\$32.60

Used to connect two Male Threads.

### Hex Socket BSPT x BSPT



Code	Metric	Imperial	Pack Size	RRP
HSS15	15mm x 15mm	1/2" x 1/2"	EA	\$4.21
HSS20	20mm x 20mm	3/4" x 3/4"	EA	\$5.41
HSS25	25mm x 25mm	1" x 1"	EA	\$6.82
HSS32	32mm x 32mm	1 1/4" x 1 1/4"	EA	\$8.31
HSS40	40mm x 40mm	1 1/2" x 1 1/2"	EA	\$9.63
HSS50	50mm x 50mm	2" x 2"	EA	\$15.35
HSS65	65mm x 65mm	2 1/2" x 2 1/2"	EA	\$30.01
HSS80	80mm x 80mm	3" x 3"	EA	\$41.53
HSS100	100mm x 100mm	4" x 4"	EA	\$89.34

Used as a reducing join, to join two Male Threads.

### Reducing Hex Socket BSPT x BSPT



Code	Metric	Imperial	Pack Size	RRP
HSRS2015	20mm x 15mm	3/4" x 1/2"	EA	\$5.41
HSRS2515	25mm x 15mm	1" x 1/2"	EA	\$6.82
HSRS2520	25mm x 20mm	1" x 3/4"	EA	\$6.82
HSRS3220	32mm x 20mm	1 1/4" x 3/4"	EA	\$8.20
HSRS3225	32mm x 25mm	1 1/4" x 1"	EA	\$8.20
HSRS4020	40mm x 20mm	1 1/2" x 3/4"	EA	\$9.63
HSRS4025	40mm x 25mm	1 1/2" x 1"	EA	\$9.63
HSRS4032	40mm x 32mm	1 1/2" x 1 1/4"	EA	\$9.63
HSRS5020	50mm x 20mm	2" x 3/4"	EA	\$15.35
HSRS5025	50mm x 25mm	2" x 1"	EA	\$15.35
HSRS5032	50mm x 32mm	2" x 1 1/4"	EA	\$15.35
HSRS5040	50mm x 40mm	2" x 1 1/2"	EA	\$15.35
HSRS6540	65mm x 40mm	2 1/2" x 1 1/2"	EA	\$30.01
HSRS6550	65mm x 50mm	2 1/2" x 2"	EA	\$30.01
HSRS8050	80mm x 50mm	3" x 2"	EA	\$41.53

Prices are in AUD and are inclusive of 10% GST. Recommended Retail Prices are indicative and Actual Retail Prices may vary between retailers.



## True Fit Threaded Fittings

...continued from previous page

### Reducing Hex Socket BSPT X BSPT



HSRS8065	80mm x 65mm	3" x 2 1/2"	EA	\$41.53
HSRS10065	100mm x 65mm	4" x 2 1/2"	EA	\$89.34
HSRS10080	100mm x 80mm	4" x 3"	EA	\$89.34

Used to reduce the size of Female Threads.

### Reducing Bush BSPT X BSPT



Code	Metric	Imperial	Pack Size	RRP
HRB1506	15mm x 6mm	1/2" x 1/8"	EA	\$2.78
HRB1508	15mm x 8mm	1/2" x 1/4"	EA	\$2.78
HRB1510	15mm x 10mm	1/2" x 3/8"	EA	\$2.78
HRB2008	20mm x 8mm	3/4" x 1/4"	EA	\$2.83
HRB2010	20mm x 10mm	3/4" x 3/8"	EA	\$2.83
HRB2015	20mm x 15mm	3/4" x 1/2"	EA	\$2.83
HRB2508	25mm x 8mm	1" x 1/4"	EA	\$3.21
HRB2510	25mm x 10mm	1" x 3/8"	EA	\$3.21
HRB2515	25mm x 15mm	1" x 1/2"	EA	\$3.21
HRB2520	25mm x 20mm	1" x 3/4"	EA	\$2.78
HRB3215	32mm x 15mm	1 1/4" x 1/2"	EA	\$4.36
HRB3220	32mm x 20mm	1 1/4" x 3/4"	EA	\$4.36
HRB3225	32mm x 25mm	1 1/4" x 1"	EA	\$4.36
HRB4015	40mm x 15mm	1 1/2" x 1/2"	EA	\$4.60
HRB4020	40mm x 20mm	1 1/2" x 3/4"	EA	\$4.60
HRB4025	40mm x 25mm	1 1/2" x 1"	EA	\$4.60
HRB4032	40mm x 32mm	1 1/2" x 1 1/4"	EA	\$4.60
HRB5015	50mm x 15mm	2" x 1/2"	EA	\$5.56
HRB5020	50mm x 20mm	2" x 3/4"	EA	\$5.56
HRB5025	50mm x 25mm	2" x 1"	EA	\$5.56
HRB5032	50mm x 32mm	2" x 1 1/4"	EA	\$5.56
HRB5040	50mm x 40mm	2" x 1 1/2"	EA	\$5.56
HRB6532	65mm x 32mm	2 1/2" x 1 1/4"	EA	\$14.32
HRB6540	65mm x 40mm	2 1/2" x 1 1/2"	EA	\$14.32
HRB6550	65mm x 50mm	2 1/2" x 2"	EA	\$14.32
HRB8040	80mm x 40mm	3" x 1 1/2"	EA	\$18.96
HRB8050	80mm x 50mm	3" x 2"	EA	\$18.96
HRB8065	80mm x 65mm	3" x 2 1/2"	EA	\$18.96
HRB10050	100mm x 50mm	4" x 2"	EA	\$33.76
HRB10065	100mm x 65mm	4" x 2 1/2"	EA	\$33.76
HRB10080	100mm x 80mm	4" x 3"	EA	\$33.76

Prices are in AUD and are inclusive of 10% GST. Recommended Retail Prices are indicative and Actual Retail Prices may vary between retailers.

## True Fit Threaded Fittings

Used to connect three Male Threads.

### Female Threaded Tee BSPT x BSPT x BSPT



Code	Metric	Imperial	Pack Size	RRP
HTT15	15mm x 15mm x 15mm	1/2" x 1/2" x 1/2"	EA	\$5.41
HTT20	20mm x 20mm x 20mm	3/4" x 3/4" x 3/4"	EA	\$5.94
HTT25	25mm x 25mm x 25mm	1" x 1" x 1"	EA	\$5.72
HTT32	32mm x 32mm x 32mm	1 1/4" x 1 1/4" x 1 1/4"	EA	\$12.87
HTT40	40mm x 40mm x 40mm	1 1/2" x 1 1/2" x 1 1/2"	EA	\$13.92
HTT50	50mm x 50mm x 50mm	2" x 2" x 2"	EA	\$19.09
HTT65	65mm x 65mm x 65mm	2 1/2" x 2 1/2" x 2 1/2"	EA	\$87.30
HTT80	80mm x 80mm x 80mm	3" x 3" x 3"	EA	\$120.03
HTT100	100mm x 100mm x 100mm	4" x 4" x 4"	EA	\$174.59

Used to connect two Male Threads at a 90 degree angle.

### Female Threaded Elbow BSPT x BSPT



Code	Metric	Imperial	Pack Size	RRP
HTE15	15mm x 15mm	1/2" x 1/2"	EA	\$4.84
HTE20	20mm x 20mm	3/4" x 3/4"	EA	\$5.08
HTE25	25mm x 25mm	1" x 1"	EA	\$5.72
HTE32	32mm x 32mm	1 1/4" x 1 1/4"	EA	\$8.31
HTE40	40mm x 40mm	1 1/2" x 1 1/2"	EA	\$9.63
HTE50	50mm x 50mm	2" x 2"	EA	\$12.87
HTE65	65mm x 65mm	2 1/2" x 2 1/2"	EA	\$65.54
HTE80	80mm x 80mm	3" x 3"	EA	\$87.30
HTE100	100mm x 100mm	4" x 4"	EA	\$109.12

Used to join a Male Thread and a Female Thread at a 90 degree angle.

### Male/Female Threaded Elbow BSPT x BSPT



Code	Metric	Imperial	Pack Size	RRP
HTMFE15	15mm x 15mm	1/2" x 1/2"	EA	\$4.70
HTMFE20	20mm x 20mm	3/4" x 3/4"	EA	\$5.41
HTMFE25	25mm x 25mm	1" x 1"	EA	\$5.08
HTMFE32	32mm x 32mm	1 1/4" x 1 1/4"	EA	\$8.31
HTMFE40	40mm x 40mm	1 1/2" x 1 1/2"	EA	\$9.85
HTMFE50	50mm x 50mm	2" x 2"	EA	\$12.87

Prices are in AUD and are inclusive of 10% GST. Recommended Retail Prices are indicative and Actual Retail Prices may vary between retailers.

## True Fit Threaded Fittings

Used for capping off Male Threads.



**Hex Screw Cap**  
BSPT

Code	Metric	Imperial	Pack Size	RRP
HCP15	15mm	1/2"	EA	\$2.34
HCP20	20mm	3/4"	EA	\$2.44
HCP25	25mm	1"	EA	\$3.06
HCP32	32mm	1 1/4"	EA	\$4.60
HCP40	40mm	1 1/2"	EA	\$5.41
HCP50	50mm	2"	EA	\$6.71
HCP65	65mm	2 1/2"	EA	\$20.19
HCP80	80mm	3"	EA	\$21.76
HCP100	100mm	4"	EA	\$42.42

Used for plugging off Female Threads.



**Hex Screw Plug**  
BSPT

Code	Metric	Imperial	Pack Size	RRP
HSP06	6mm	1/8"	EA	\$1.63
HSP08	8mm	1/4"	EA	\$1.63
HSP10	10mm	3/8"	EA	\$1.63
HSP15	15mm	1/2"	EA	\$1.63
HSP20	20mm	3/4"	EA	\$1.68
HSP25	25mm	1"	EA	\$1.83
HSP32	32mm	1 1/4"	EA	\$2.78
HSP40	40mm	1 1/2"	EA	\$3.36
HSP50	50mm	2"	EA	\$4.21
HSP65	65mm	2 1/2"	EA	\$15.07
HSP80	80mm	3"	EA	\$20.19
HSP100	100mm	4"	EA	\$31.99

An accessory plug for tanks. The Tank Plug has a Maximum Working Pressure of 4 bar (400 kPa, 58 psi) at 20 Degrees Celsius.



**Tank Plug**  
BSPF

Code	Metric	Imperial	Pack Size	RRP
HTP50	50mm	2"	EA	\$3.59

## True Fit Threaded Fittings

Used as a Male/Female reducing joiner for sprinkler risers, garden hose taps and water filters.

### Male/Female Adaptor BSPT x BSPT



Code	Metric	Imperial	Pack Size	RRP
HMFA1520	15mm x 20mm	1/2" x 3/4"	EA	\$4.93

Used in Irripod Systems to attach the Tow Rope and Ball to the end of the pipe line system.

### Tow Eye BSPT x Tow Eye



Code	Metric	Imperial	Pack Size	RRP
PODTE50	50mm	2"	EA	\$31.74

### Tow Eye NPT x Tow Eye



PODTE50NPT*	50mm	2"	EA	\$31.74
-------------	------	----	----	---------

\*Non stock item, available on request

Used for a quick and easy connection for a variety of hoses to taps & pumps.

### Nut & Tail Elbow BSP x Hose



Code	Metric	Imperial	Pack Size	RRP
HNTE20	20mm x 20mm	3/4" x 3/4"	EA	\$14.41
HNTE25	25mm x 25mm	1" x 1"	EA	\$17.33

### Nut & Hose Tail BSP x Hose



Code	Metric	Imperial	Pack Size	RRP
HNT15	15mm x 15mm	1/2" x 1/2"	EA	\$9.90
HNT20	20mm x 20mm	3/4" x 3/4"	EA	\$12.76
HNT2015	20mm x 15mm	3/4" x 1/2"	EA	\$12.65
HNT25	25mm x 25mm	1" x 1"	EA	\$15.24
HNT2515	25mm x 15mm	1" x 1/2"	EA	\$14.41
HNT2520	25mm x 20mm	1" x 3/4"	EA	\$14.91
HNT32	32mm x 32mm	1 1/4" x 1 1/4"	EA	\$19.47
HNT40	40mm x 40mm	1 1/2" x 1 1/2"	EA	\$20.90
HNT50	50mm x 50mm	2" x 2"	EA	\$22.55
HNT80	80mm x 80mm	3" x 3"	EA	\$36.08

Prices are in AUD and are inclusive of 10% GST. Recommended Retail Prices are indicative and Actual Retail Prices may vary between retailers.

## True Fit Threaded Fittings

Used for connecting Female Threads to flexible pipe and hose. Push on hose and use a hose clip to hold hose on.

### Male Hose Tail BSPT x Hose



Code	Metric	Imperial	Pack Size	RRP
HHT06	6mm x 6mm	1/8" x 1/8"	EA	\$2.97
HHT08	8mm x 8mm	1/4" x 1/4"	EA	\$3.54
HHT10	10mm x 10mm	3/8" x 3/8"	EA	\$3.97
HHT15	15mm x 15mm	1/2" x 1/2"	EA	\$4.31
HHT20	20mm x 20mm	3/4" x 3/4"	EA	\$5.37
HHT25	25mm x 25mm	1" x 1"	EA	\$7.04
HHT32	32mm x 32mm	1 1/4" x 1 1/4"	EA	\$9.74
HHT40	40mm x 40mm	1 1/2" x 1 1/2"	EA	\$11.88
HHT50	50mm x 50mm	2" x 2"	EA	\$13.70
HHT80	80mm x 80mm	3" x 3"	EA	\$30.01

### Reducing Male Hose Tail BSPT x Hose



Code	Metric	Imperial	Pack Size	RRP
HRHT0806	8mm x 6mm	1/4" x 1/8"	EA	\$3.00
HRHT0810	8mm x 10mm	1/4" x 3/8"	EA	\$3.54
HRHT1006	10mm x 6mm	3/8" x 1/8"	EA	\$3.61
HRHT1008	10mm x 8mm	3/8" x 1/4"	EA	\$3.97

An accessory Washer for the Nut & Tail Fitting.

### Nut & Tail Washer Rubber Black



Code	Metric	Imperial	Pack Size	RRP
HNTW15	15mm	1/2"	EA	\$1.73
HNTW20	20mm	3/4"	EA	\$1.73
HNTW25	25mm	1"	EA	\$1.87
HNTW32	32mm	1 1/4"	EA	\$2.68
HNTW40	40mm	1 1/2"	EA	\$3.06
HNTW50	50mm	2"	EA	\$3.54
HNTW80	80mm	3"	EA	\$4.36

## True Fit Threaded Fittings

The Standard Adaptor is used for installing a Hansen Trough or Tank Valve into a threaded inlet.

**Standard Adaptor  
with O-Ring Seal**



Code	Description	Pack Size	RRP
HMA15	25mm BSPT to 15mm BSPT	EA	\$6.71
HMA20	25mm BSPT to 20mm BSPT	EA	\$6.71
HMA25	25mm BSPT to 25mm BSPT	EA	\$6.71
HMA32	25mm BSPT to 32mm BSPT	EA	\$6.71
HMA40	25mm BSPT to 40mm BSPT	EA	\$14.13
HMA50	25mm BSPT to 50mm BSPT	EA	\$14.12

The Long Tail Adaptor is used for a Hansen Trough or Tank Valve when installing through a trough or tank wall.

**Long Tail Adaptor  
with O-Ring Seal**



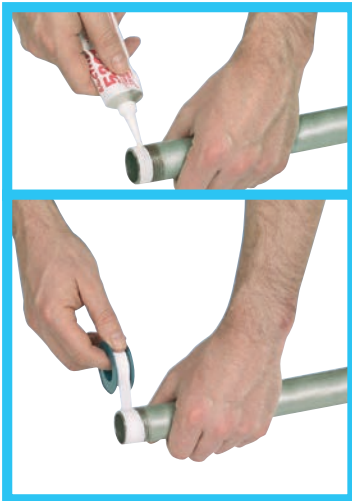
Code	Description	Pack Size	RRP
HMAL15	25mm BSPT to 15mm BSPT	EA	\$17.77
HMAL20	25mm BSPT to 20mm BSPT	EA	\$17.77
HMAL25	25mm BSPT to 25mm BSPT	EA	\$17.77
HMAL32	25mm BSPT to 32mm BSPT	EA	\$19.69
HMAL40	25mm BSPT to 40mm BSPT	EA	\$20.62
HMAL50	25mm BSPT to 50mm BSPT	EA	\$24.07

Prices are in AUD and are inclusive of 10% GST. Recommended Retail Prices are indicative and Actual Retail Prices may vary between retailers.

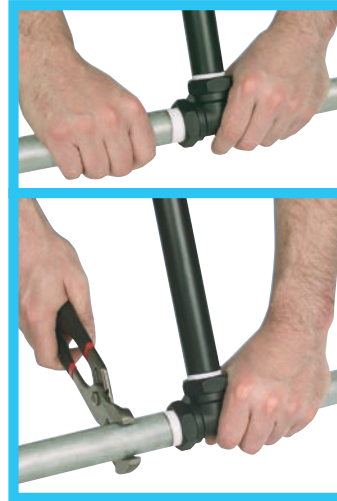
## TECHNICAL INFORMATION *True Fit Threaded Fittings*

### *True Fit* Threaded Fittings Quick & Easy Installation

- All pipe work must be adequately supported.
- Use a thread sealant on all threaded connections. We recommend Loctite 5331.
- If you are using chemicals or have any special requirements that you wish to use your Threaded Pipe Fitting in, go to the Threaded Chemical Resistance page or don't hesitate to contact us.
- Please refer to the dimensions Pages for Minimum Recommended Hole Sizes.
- Fittings should be installed as per applicable standards and approvals for pipe and fittings. Failure to complete installation in accordance with applicable standards and approvals may void warranties given by Hansen Products (NZ) Limited in respect to the fitting. We recommend following pipe manufacturers guidelines.



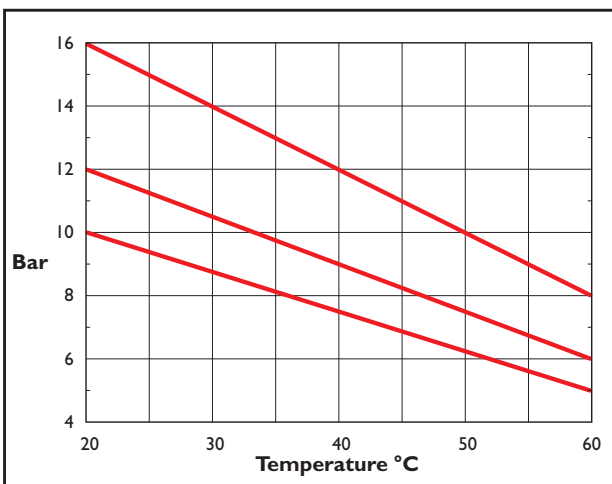
**1** (a) Use a thread paste sealant or  
 (b) a teflon tape sealant. The right sealant for threaded joints is non-hardening, compatible with plastic and doesn't add slipperiness to encourage over-torquing.



**2** Screw pipe into fitting.

Do not over tighten. The recommended way to assemble a Threaded Pipe Fitting is hand tight. Tighten until firm with spanner or pipe grip. One to two turns should be all that is required.

### *True Fit* Pipe Fittings Maximum Working Pressures



Graph indicates fittings used with WATER only and being installed to Hansens Specifications.

Fitting Size	MAX PRESSURE @ 20 Degrees Celsius
6mm - 50mm	16 Bar (1600 kPa. 235 psi)
65mm	12 Bar (1200 kPa. 175 psi)
80mm - 100mm	10 Bar (1000 kPa. 145 psi)

Hansen have tested all its products for use with cold water up to a maximum temperature of 60°C (140°F). We do not recommend the use of these products with temperatures higher than 60°C (140°F) as plastic expands due to temperature increases. Hansen cannot guarantee the products will perform when used with temperatures over 60°C (140°F). Hansen products that have failed in temperatures higher than 60°C (140°F) will not be covered by our Hansen Warranty.

Note: The Hansen Tank Plug (HTP50) has a Maximum Working Pressure of 4 bar (400 kPa, 58 psi) at 20 Degrees Celsius.

## True Fit Threaded Fittings TECHNICAL INFORMATION

### True Fit Threaded Fittings Chemical Resistance Chart

For Nut & Hose Tail Chemical Resistance Information please refer to *True Fit* Tank Fittings Chemical Resistance Chart.

THREADED

CHEMICAL TYPE	RESISTANCE LEVEL		
	Good	OK But Check Further	BAD Try to Avoid
Acids Weak			X
Acids Strong			X
Organic Acids Weak		X	
Organic Acids Strong			X
Bases Weak	X		
Bases Strong		X	
Bleach			X
CHEMICAL TYPE	RESISTANCE LEVEL		
Automotive Fuel	X		
Automotive Lubricants	X		
Hydraulic Fluids		X	
CHEMICAL TYPE	RESISTANCE LEVEL		
Solvents		X	
Hydrocarbons	X		
Halogens			X
Alcohols		X	
Aldehydes			X
Amines			X
Esters	X		
Ethers	X		
Ketones		X	
CHEMICAL TYPE	RESISTANCE LEVEL		
Detergents	X		
Oxidising Agents			X
Weak Hydrogen Peroxide		X	
Ozone			X
Phenols			X

PLEASE NOTE: This chart is intended as a basic guide only. The resistance to a given chemical will vary with temperature & concentrations. Some chemicals within the group mentioned may result in different rating. For further information, please email us with your specific question.



## TECHNICAL INFORMATION *True Fit Threaded Fittings*

### *True Fit* Threaded Fittings Frequently Asked Questions

**Q How tight should I tighten my fittings?**

**A** Do not over tighten. The right way to assemble a threaded fitting is hand tight plus one to two turns-no more! For more information on installation tips refer to the installation Page.

**Q Do I need to support my fittings?**

**A** Yes. All pipe work must be adequately supported.

**Q What type of sealant should I use?**

**A** Use a thread sealant on all threaded connections. We recommend Loctite 5331.

**Q Can I use these fittings with metal fittings?**

**A** Yes. For more information on installation tips refer to the installation Page.

**Q Can I use Hansen *True Fit* Fittings under driveways, paths and foundations?**

**A** Hansen does not recommend the use of any Hansen *True Fit* Fittings under any driveways, paths, or foundations.

**Q Can I use my Hansen fittings with my swimming pool/spa pool set up?**

**A** No, as the high concentration of chlorine used in the water for pools, will attack the material. The fitting material is only suitable for use with domestic water. Hansen products that are used in this application will not be covered by the Hansen Warranty.

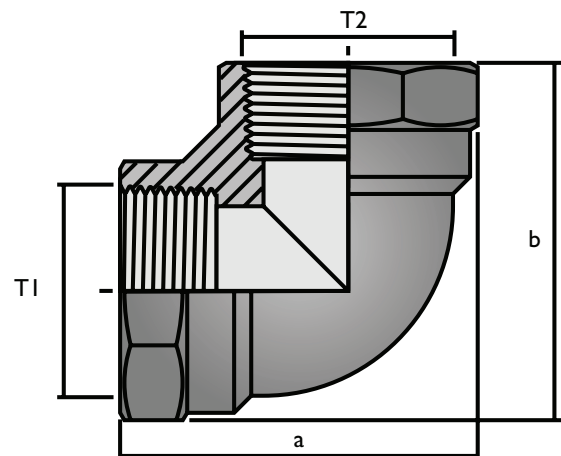
**Q What temperature can I use Hansen fittings at?**

**A** Hansen have tested all its products for use with cold water up to a maximum temperature of 60°C (140°F). We do not recommend the use of these products with temperatures higher than 60°C (140°F) as plastic expands due to temperature increases. Hansen cannot guarantee the products will perform when used with temperatures over 60°C (140°F). Hansen products that have failed in temperatures higher than 60°C (140°F) will not be covered by the Hansen Warranty.

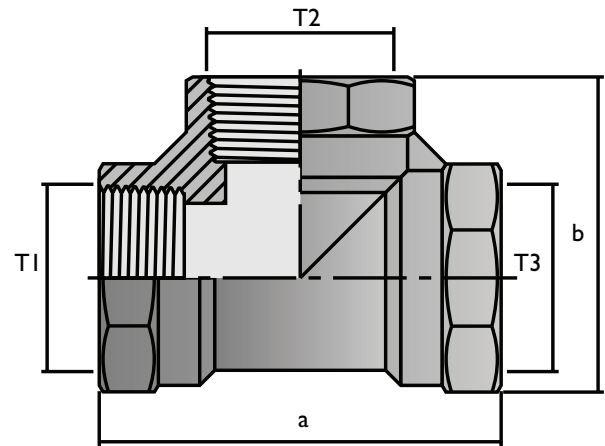
### Dimensions: Female Threaded Elbow Code: HTE

Product Code	T1 BSPT	T2 BSPT	a mm	b mm
HTE15	1/2" (15mm)	1/2" (15mm)	46.5	46.5
HTE20	3/4" (20mm)	3/4" (20mm)	53	53
HTE25	1" (25mm)	1" (25mm)	63.5	63.5
HTE32	1 1/4" (32mm)	1 1/4" (32mm)	76	76
HTE40	1 1/2" (40mm)	1 1/2" (40mm)	80.5	80.5
HTE50	2" (50mm)	2" (50mm)	95	95
HTE65	2 1/2" (65mm)	2 1/2" (65mm)	114.5	114.5
HTE80	3" (80mm)	3" (80mm)	133	133
HTE100	4" (100mm)	4" (100mm)	164.5	164.5

Specifications and sizes may change without prior notice



## True Fit Threaded Fittings TECHNICAL INFORMATION

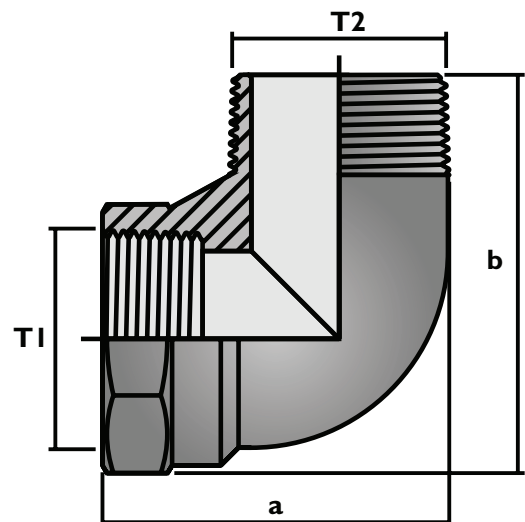


### Dimensions: Female Threaded Tee Code: HTT

Product Code	T1 BSPT	T2 BSPT	T3 BSPT	a mm	b mm
HTT15	1/2" (15mm)	1/2" (15mm)	1/2" (15mm)	60	46
HTT20	3/4" (20mm)	3/4" (20mm)	3/4" (20mm)	67.5	53.5
HTT25	1" (25mm)	1" (25mm)	1" (25mm)	80	63.5
HTT32	1 1/4" (32mm)	1 1/4" (32mm)	1 1/4" (32mm)	93.5	76
HTT40	1 1/2" (40mm)	1 1/2" (40mm)	1 1/2" (40mm)	103	81
HTT50	2" (50mm)	2" (50mm)	2" (50mm)	119.5	95.5
HTT65	2 1/2" (65mm)	2 1/2" (65mm)	2 1/2" (65mm)	141	115.5
HTT80	3" (80mm)	3" (80mm)	3" (80mm)	160.5	133.5
HTT100	4" (100mm)	4" (100mm)	4" (100mm)	197.5	165.5

### Dimensions: Male / Female Threaded Elbow Code: HTMFE

Product Code	T1 BSPT	T2 BSPT	a mm	b mm
HTMFE15	1/2" (15mm)	1/2" (15mm)	41	54.5
HTMFE20	3/4" (20mm)	3/4" (20mm)	48	63.5
HTMFE25	1" (25mm)	1" (25mm)	56	73
HTMFE32	1 1/4" (32mm)	1 1/4" (32mm)	67.5	84.5
HTMFE40	1 1/2" (40mm)	1 1/2" (40mm)	74.5	88
HTMFE50	2" (50mm)	2" (50mm)	88	106

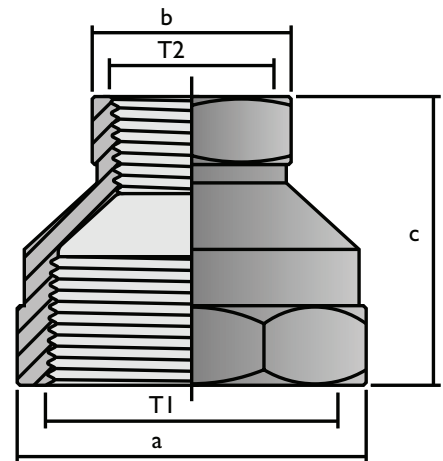


Specifications and sizes may change without prior notice

## Dimensions: Reducing Hex Socket Code: HSRS

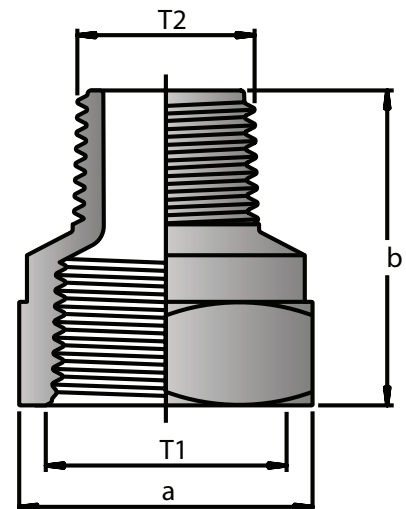
Product Code	T1 BSPT	T2 BSPT	a (AF) mm	b (AF) mm	c mm
HSRS2015	3/4" (20mm)	1/2" (15mm)	34	28	42.5
HSRS2515	1" (25mm)	1/2" (15mm)	41.5	28	47.5
HSRS2520	1" (25mm)	3/4" (20mm)	41.5	34	45.5
HSRS3220	1 1/4" (32mm)	3/4" (20mm)	51.5	34	52
HSRS3225	1 1/4" (32mm)	1" (25mm)	51	41.5	49
HSRS4020	1 1/2" (40mm)	3/4" (20mm)	58.5	34	52
HSRS4025	1 1/2" (40mm)	1" (25mm)	58	41	51.5
HSRS4032	1 1/2" (40mm)	1 1/4" (32mm)	58	51	53
HSRS5020	2" (50mm)	3/4" (20mm)	71.5	34.5	60.5
HSRS5025	2" (50mm)	1" (25mm)	71.5	41	59.5
HSRS5032	2" (50mm)	1 1/4" (32mm)	71.5	51	61.5
HSRS5040	2" (50mm)	1 1/2" (40mm)	71.5	58	58
HSRS6540	2 1/2" (65mm)	1 1/2" (40mm)	92.5	59	70
HSRS6550	2 1/2" (65mm)	2" (50mm)	92.5	72.5	69
HSRS8050	3" (80mm)	2" (50mm)	110	72.5	78.5
HSRS8065	3" (80mm)	2 1/2" (65mm)	110	92.5	73
HSRS10065	4" (100mm)	2 1/2" (65mm)	37	93	94.5
HSRS10080	4" (100mm)	3" (80mm)	137.5	110	90.5

AF = Across Flats



## Dimensions: Male / Female Adapter Code: HMFA

Product Code	T1 BSPT	T2 BSPT	a mm	b mm
HMFA 1520	3/4" (20mm)	1/2" (15mm)	34.0	42.0



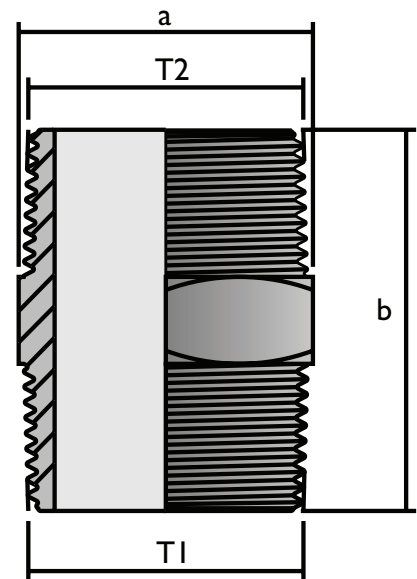
Specifications and sizes may change without prior notice

## True Fit Threaded Fittings TECHNICAL INFORMATION

### Dimensions: Hex Nipple Code: HSN

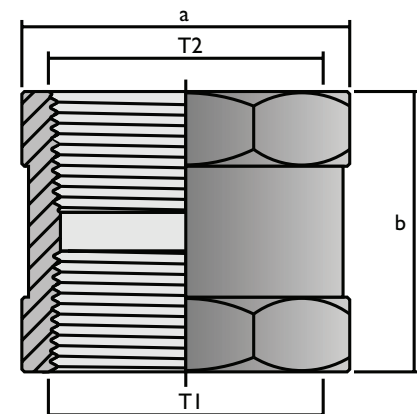
Product Code	T1 BSPT	T2 BSPT	a (AF) mm	b mm
HSN06	1/8" (06mm)	1/8" (06mm)	11	26
HSN08	1/4" (08mm)	1/4" (08mm)	14	33
HSN10	3/8" (10mm)	3/8" (10mm)	18	34
HSN15	1/2" (15mm)	1/2" (15mm)	22	43
HSN20	3/4" (20mm)	3/4" (20mm)	28.5	46.5
HSN25	1" (25mm)	1" (25mm)	35	53
HSN32	1 1/4" (32mm)	1 1/4" (32mm)	44	59.5
HSN40	1 1/2" (40mm)	1 1/2" (40mm)	50	60.5
HSN50	2" (50mm)	2" (50mm)	62	70
HSN65	2 1/2" (65mm)	2 1/2" (65mm)	78.5	77
HSN80	3" (80mm)	3" (80mm)	91.6	84
HSN100	4" (100mm)	4" (100mm)	117	97

AF = Across Flats



### Dimensions: Hex Socket Code: HSS

Product Code	T1 BSPT	T2 BSPT	a mm	b mm
HSS15	1/2" (15mm)	1/2" (15mm)	28	41.5
HSS20	3/4" (20mm)	3/4" (20mm)	34	43.5
HSS25	1" (25mm)	1" (25mm)	41	47.5
HSS32	1 1/4" (32mm)	1 1/4" (32mm)	51.5	51.5
HSS40	1 1/2" (40mm)	1 1/2" (40mm)	58	55
HSS50	2" (50mm)	2" (50mm)	72	61.5
HSS65	2 1/2" (65mm)	2 1/2" (65mm)	92.5	68
HSS80	3" (80mm)	3" (80mm)	110	74
HSS100	4" (100mm)	4" (100mm)	137.5	87.5



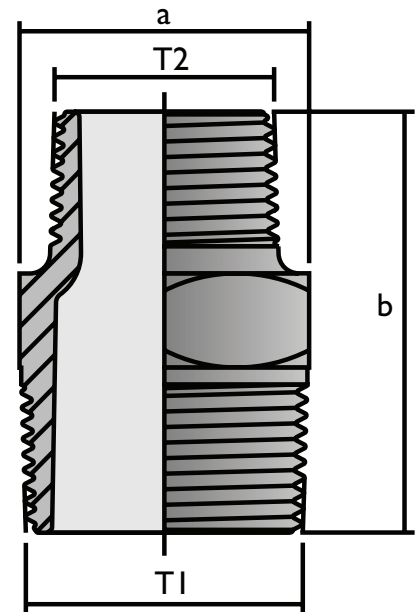
Specifications and sizes may change without prior notice

## TECHNICAL INFORMATION

*True Fit Threaded Fittings*

### Dimensions: Reducing Hex Nipple Code: HRHN

Product Code	T1 BSPT	T2 BSPT	a (AF) mm	b mm
HRHN0806	1/4" (08mm)	1/8" (06mm)	14	31
HRHN1006	3/8" (10mm)	1/8" (06mm)	18	33
HRHN1008	3/8" (10mm)	1/4" (08mm)	18.5	34.5
HRHN1506	1/2" (15mm)	1/8" (06mm)	22.5	37.3
HRHN1508	1/2" (15mm)	1/4" (08mm)	22.5	39
HRHN1510	1/2" (15mm)	3/8" (10mm)	26	50.5
HRHN2010	3/4" (20mm)	3/8" (10mm)	31	55.5
HRHN2015	3/4" (20mm)	1/2" (15mm)	28.5	48
HRHN2515	1" (25mm)	1/2" (15mm)	35	51.5
HRHN2520	1" (25mm)	3/4" (20mm)	35.5	54
HRHN3220	1 1/4" (32mm)	3/4" (20mm)	45	66
HRHN3225	1 1/4" (32mm)	1" (25mm)	44	60
HRHN4020	1 1/2" (40mm)	3/4" (20mm)	51.5	68
HRHN4025	1 1/2" (40mm)	1" (25mm)	50	64.5
HRHN4032	1 1/2" (40mm)	1 1/4" (32mm)	50	62
HRHN5020	2" (50mm)	3/4" (20mm)	63.5	73
HRHN5025	2" (50mm)	1" (25mm)	63	74
HRHN5032	2" (50mm)	1 1/4" (32mm)	63	73
HRHN5040	2" (50mm)	1 1/2" (40mm)	62.5	70
HRHN6532	2 1/2" (65mm)	1 1/4" (32mm)	79	79.5
HRHN6540	2 1/2" (65mm)	1 1/2" (40mm)	79	77
HRHN6550	2 1/2" (65mm)	2" (50mm)	79	78
HRHN8040	3" (80mm)	1 1/2" (40mm)	91.5	86
HRHN8050	3" (80mm)	2" (50mm)	91.5	86
HRHN8065	3" (80mm)	2 1/2" (65mm)	92	85
HRHN10050	4" (100mm)	2" (50mm)	116.5	101.5
HRHN10065	4" (100mm)	2 1/2" (65mm)	117	100
HRHN10080	4" (100mm)	3" (80mm)	117	98.5



THREADED

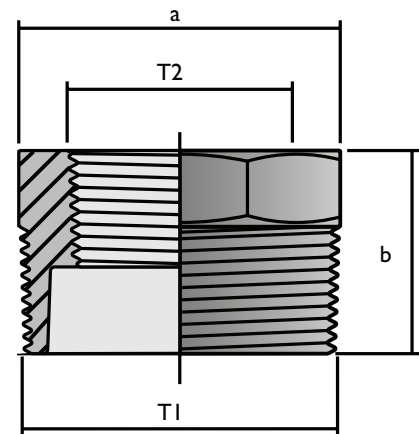
AF = Across Flats

Specifications and sizes may change without prior notice

## True Fit Threaded Fittings TECHNICAL INFORMATION

### Dimensions: Reducing Bush Code: HRB

Product Code	T1 BSPT	T2 BSPT	a (AF) mm	b mm
HRB1506	1/2" (15mm)	1/8" (06mm)	22.0	23.5
HRB1508	1/2" (15mm)	1/4" (08mm)	22.0	23
HRB1510	1/2" (15mm)	3/8" (10mm)	22.0	23.5
HRB2008	3/4" (20mm)	1/4" (08mm)	29	25
HRB2010	3/4" (20mm)	3/8" (10mm)	29	25
HRB2015	3/4" (20mm)	1/2" (15mm)	29	25
HRB2508	1" (25mm)	1/4" (08mm)	35.5	27
HRB2510	1" (25mm)	3/8" (10mm)	35.5	27
HRB2515	1" (25mm)	1/2" (15mm)	35.5	27
HRB2520	1" (25mm)	3/4" (20mm)	35.5	27
HRB3215	1 1/4" (32mm)	1/2" (15mm)	43.5	31.5
HRB3220	1 1/4" (32mm)	3/4" (20mm)	43.5	31.5
HRB3225	1 1/4" (32mm)	1" (25mm)	43.5	31.2
HRB4015	1 1/2" (40mm)	1/2" (15mm)	50.0	33.5
HRB4020	1 1/2" (40mm)	3/4" (20mm)	50.5	33
HRB4025	1 1/2" (40mm)	1" (25mm)	50.5	33.5
HRB4032	1 1/2" (40mm)	1 1/4" (32mm)	50.5	33
HRB5015	2" (50mm)	1/2" (15mm)	61.5	38
HRB5020	2" (50mm)	3/4" (20mm)	61.5	38
HRB5025	2" (50mm)	1" (25mm)	61.5	38
HRB5032	2" (50mm)	1 1/4" (32mm)	61	38
HRB5040	2" (50mm)	1 1/2" (40mm)	61	38
HRB6532	2 1/2" (65mm)	1 1/4" (32mm)	79	42
HRB6540	2 1/2" (65mm)	1 1/2" (40mm)	78.5	42
HRB6550	2 1/2" (65mm)	2" (50mm)	78.5	42
HRB8040	3" (80mm)	1 1/2" (40mm)	92	45
HRB8050	3" (80mm)	2" (50mm)	92	45
HRB8065	3" (80mm)	2 1/2" (65mm)	92	45
HRB10050	4" (100mm)	2" (50mm)	117.5	51
HRB10065	4" (100mm)	2 1/2" (65mm)	117	51
HRB10080	4" (100mm)	3" (80mm)	117.5	51

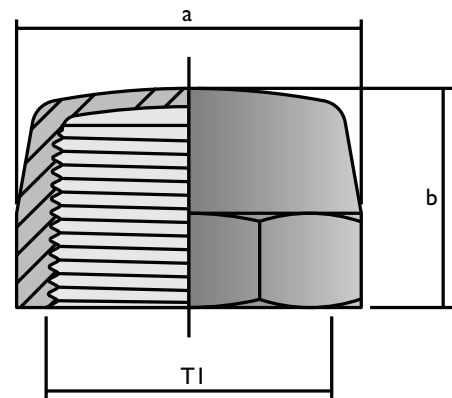


Specifications and sizes may change without prior notice

AF = Across Flats

## Dimensions: Hex Screw Cap Code: HCP

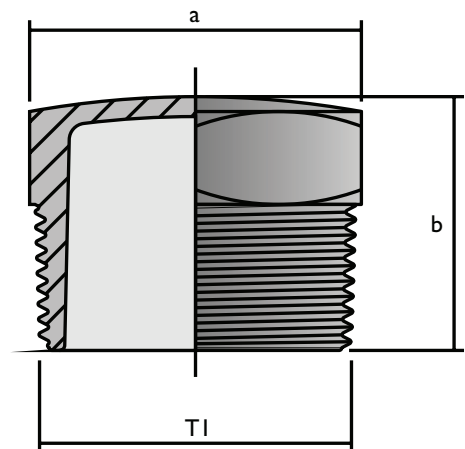
Product Code	T1 BSPT	a (AF) mm	b mm
HCP15	1/2" (15mm)	28.5	22
HCP20	3/4" (20mm)	34.5	23
HCP25	1" (25mm)	41.5	27
HCP32	1 1/4" (32mm)	52	31.5
HCP40	1 1/2" (40mm)	58.5	37
HCP50	2" (50mm)	71.5	38
HCP65	2 1/2" (65mm)	90.5	43.5
HCP80	3" (80mm)	106.5	47.5
HCP100	4" (100mm)	133.5	57



AF = Across Flats

## Dimensions: Hex Screw Plug Code: HSP

Product Code	T1 BSPT	a (AF) mm	b mm
HSP06	1/8" (06mm)	11.0	16.5
HSP08	1/4" (08mm)	14	20.5
HSP10	3/8" (10mm)	18	21.5
HSP15	1/2" (15mm)	22	27.5
HSP20	3/4" (20mm)	28	29.5
HSP25	1" (25mm)	35	34
HSP32	1 1/4" (32mm)	43.5	36
HSP40	1 1/2" (40mm)	50	38
HSP50	2" (50mm)	61.5	45
HSP65	2 1/2" (65mm)	78	48.5
HSP80	3" (80mm)	91.5	51.5
HSP100	4" (100mm)	115.6	59.5



AF = Across Flats

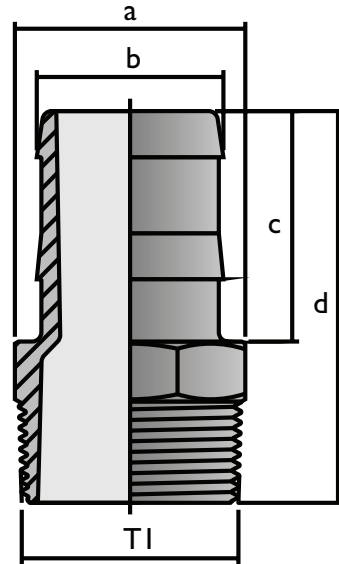
Specifications and sizes may change without prior notice

## True Fit Threaded Fittings TECHNICAL INFORMATION

### Dimensions: Male Hose Tail Code: HHT

Product Code	T1 BSPT	a (AF) mm	b mm	c mm	d mm
HHT06	1/8" (06mm)	11	7.6	22.5	39.3
HHT08	1/4" (08mm)	14	9.5	23	44.5
HHT10	3/8" (10mm)	18	10.8	25.5	47
HHT15	1/2" (15mm)	22	14	29	55
HHT20	3/4" (20mm)	28	21.5	33	61.5
HHT25	1" (25mm)	35.5	27.8	37	67.5
HHT32	1 1/4" (32mm)	43	33.6	43	76
HHT40	1 1/2" (40mm)	50.5	41	50	85.5
HHT50	2" (50mm)	61.5	53	55	96
HHT80	3" (80mm)	90.5	78	74	125.5

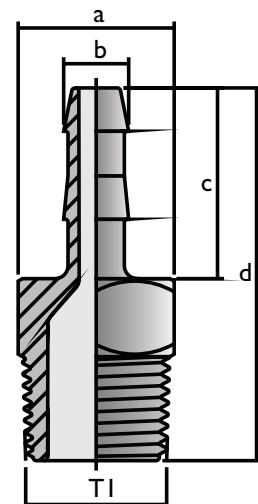
AF = Across Flats



### Dimensions: Reducing Male Hose Tail Code: HRHT

Product Code	T1 BSPF	a (AF) mm	b mm	c mm	d mm
HRHT0806	1/4" (08mm)	13.9	7.5	21.5	42.7
HRHT0810	1/4" (08mm)	13.9	10.8	25.5	46.5
HRHT1006	3/8" (10mm)	17.9	7.6	22.2	43.2
HRHT1008	3/8" (10mm)	17.9	9.5	23	44.7

AF = Across Flats

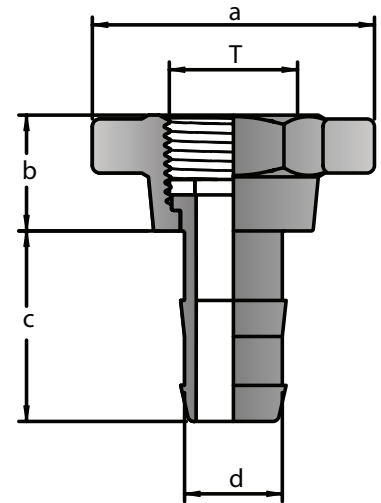




## Dimensions: Nut and Hose Tail Code: HNT

Product Code	T1 BSPT	a (AF) mm	b mm	c mm	d mm
HNT15	1/2" (12mm)	48	21	32	12.5
HNT20	3/4" (20mm)	55	23	36	20
HNT2015	3/4" (20mm)	55	23	32	12.5
HNT25	1" (25mm)	64	25	41	25
HNT2515	1" (25mm)	64	25	32	12.5
HNT2520	1" (25mm)	64	25	37	20
HNT32	1 1/4" (32mm)	76	27	47	32
HNT40	1 1/2" (40mm)	82	30	55	40
HNT50	2" (50mm)	97	33	60	50
HNT80	3" (80mm)	125	33	82	76

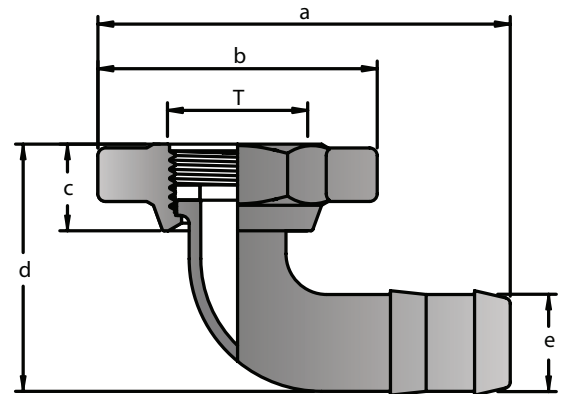
AF = Across Flats



THREADED

## Dimensions: Nut and Tail Elbow Code: HNTE

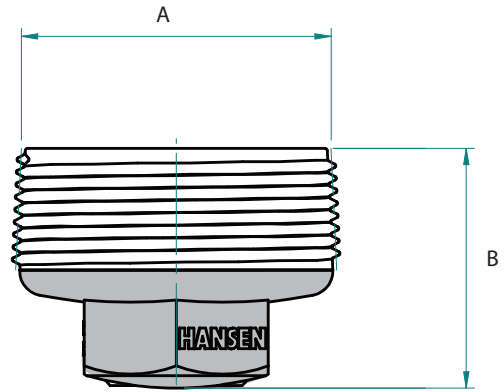
Product Code	T1 BSPT	a mm	b mm	c mm	d mm	e mm
HNTE20	3/4" (20mm)	82	55	17	49	20
HNTE25	1" (25mm)	96	64	22	63	25



## True Fit Threaded Fittings TECHNICAL INFORMATION

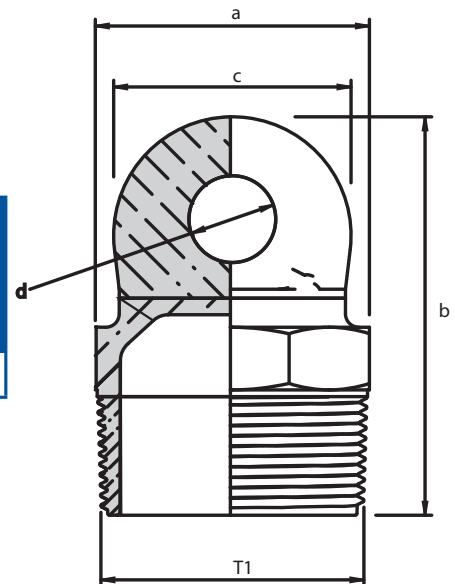
### Dimensions: Tank Plug Code: HTP

Product Code	T1 BSPF	a mm	b mm
HTP50	2" 50mm	55.8	44.3



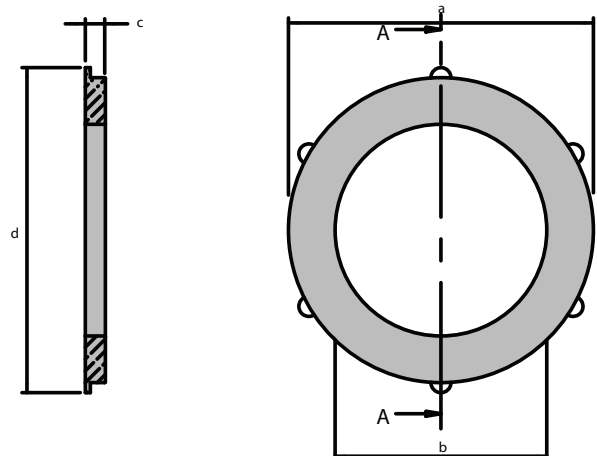
### Dimensions: Tow Eye Code: PODTE50

Product Code	T1	a mm	b mm	c mm	d mm
PODTE50	2" 50mm	61.5	89	52.5	19



### Dimensions: Nut and Tail Washer Code: HNTW

Product Code	a mm	b mm	c mm	d mm
HNTW15	18.8	9	3	22
HNTW20	25	14.5	3	27.5
HNTW25	31	20	3	34
HNTW32	39.5	26	3	43
HNTW40	45	32	3	48
HNTW50	57.5	43.5	3	61
HNTW80	83	69	3	88



Specifications and sizes may change without prior notice

# True Fit Tank Fittings

# HANSEN™

Best Installed Value



After the success of the Hansen Polythene Pipe Fittings, Hansen Products decided to design and manufacture a range of *True Fit* Tank Fittings as there was a high demand for high quality non-metallic fittings. The Hansen range of *True Fit* Tank Fittings was consequently born and have become well recognised internationally in both domestic and commercial markets for their reliable, dependable sealing capabilities.

Traditionally the *True Fit* Tank Fittings main use has been exactly as its name describes, for tanks! But in actual fact the Hansen Male and Female *True Fit* Tank Fittings have a greater variety of uses: tanks, troughs, marine applications, campers, caravans, irrigation, home applications and a wide range of other domestic and commercial settings. The Hansen range of *True Fit* Tank Fittings have the qualifications that assure you have chosen the best tank fitting solution available for your application.

With over 60 years experience in manufacturing, Hansen Products knows the importance that pipe fittings play in the performance and control of fluid delivery, flow and pressure within a pipe system. This has seen Hansen Products build a reputation for providing high performance, easy to use, innovative, simple products that provide our customers with "Best Installed Value". All Hansen products carry our Hansen Warranty.\*

\*For more information on our warranty please go to Legal section

## Features and Benefits

- Designed for use in tanks, troughs and a wide variety of marine applications.
- Manufactured from UV stabilised high quality glass fibre reinforced nylon giving a weather, termite, fungi and bacterial resistance.
- An extensive range of fittings in sizes 15mm to 100mm (1/2" to 4").
- Precision heavy duty tapered threads give a strong reliable seal.
- Material is strong enough to minimise potential cross threading.
- Fittings provide flexibility and versatility for new and existing installations, saving on time and money.
- All materials are fully resistant to salt water making them ideally suited to marine applications.

## Standards & Approvals

**AS/NZS 4020** HANSEN™ *True Fit* Tank Fittings from 15mm to 100mm have met the requirements of AS/NZS 4020 Australia & New Zealand drinking water test standard.

**WRAS** approval means that HANSEN™ *True Fit* Tank Fittings are approved for use with potable (drinkable) water, and that they will not leach contaminants into the water.

See our website for further details on approvals.

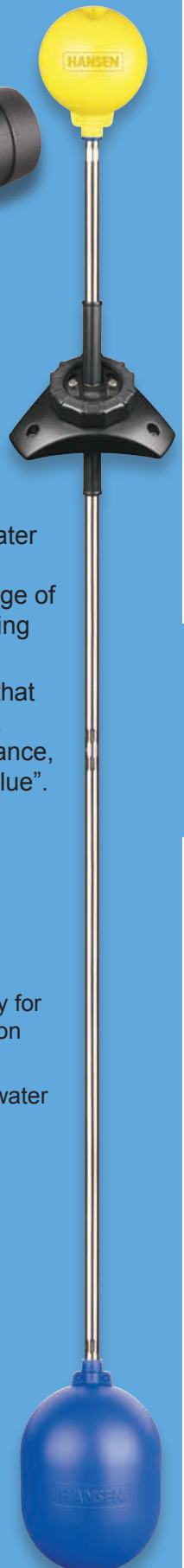
## Conversions

15mm - 1/2"	50mm - 2"
20mm - 3/4"	65mm - 2 1/2"
25mm - 1"	80mm - 3"
32mm - 1 1/4"	100mm - 4"
40mm - 1 1/2"	

16 Bar – 1600 kPa – 235 psi  
10 Bar – 1000 kPa – 145 psi

20° Celcius – 68° Fahrenheit

TANK





*Hansen Female Tank Fitting HTFFTB in use*



*Multiple Hansen Level Alerts in use*

## True Fit Tank Fittings

Used for connecting valves and pipes to tanks and troughs.  
Comes with 1 x LDPE Washer & 1 x Rubber Washer.



**Female Tank Fitting Black**  
BSPT or NPT

Code	Metric	Imperial	Pack Size	RRP
HTFFTB15	15mm	1/2"	EA	\$21.23
HTFFTB20	20mm	3/4"	EA	\$21.23
HTFFTB25	25mm	1"	EA	\$18.59
HTFFTB32	32mm	1 1/4"	EA	\$31.57
HTFFTB40	40mm	1 1/2"	EA	\$37.95
HTFFTB50	50mm	2"	EA	\$51.59



**Female Tank Fitting White**  
BSPT or NPT

HTFFTW15	15mm	1/2"	EA	\$21.23
HTFFTW20	20mm	3/4"	EA	\$21.23
HTFFTW25	25mm	1"	EA	\$18.59
HTFFTW32	32mm	1 1/4"	EA	\$31.57
HTFFTW40	40mm	1 1/2"	EA	\$37.95
HTFFTW50	50mm	2"	EA	\$51.59

NPT Products are a non stock item, available on request

**Female Tank Fitting Black (80mm & 100mm)**  
BSPT or NPT



Larger version Female Tank Fitting that incorporates a left hand thread. Used for connecting valves and pipes to tanks and troughs.  
Comes with 1 x LDPE Washer & 1 x Rubber Washer.

Code	Metric	Imperial	Pack Size	RRP
HTFFB80	80mm	3"	EA	\$107.76
HTFFB100	100mm	4"	EA	\$150.72

NPT Products are a non stock item, available on request

Used for connecting valves and pipes to tanks and troughs.  
Comes with 1 x LDPE Washer & 1 x Rubber Washer.



**Short Female Tank Fitting Black**  
BSPT or NPT

Code	Metric	Imperial	Pack Size	RRP
HTFFB15S	15mm	1/2"	EA	\$17.18
HTFFB20S	20mm	3/4"	EA	\$17.90
HTFFB25S	25mm	1"	EA	\$19.86
HTFFB32S	32mm	1 1/4"	EA	\$29.52
HTFFB40S	40mm	1 1/2"	EA	\$35.07
HTFFB50S	50mm	2"	EA	\$44.40



**Short Female Tank Fitting White**  
BSPT or NPT

HTFFW15S	15mm	1/2"	EA	\$17.18
HTFFW20S	20mm	3/4"	EA	\$17.90
HTFFW25S	25mm	1"	EA	\$19.86
HTFFW32S	32mm	1 1/4"	EA	\$29.52
HTFFW40S	40mm	1 1/2"	EA	\$35.07
HTFFW50S	50mm	2"	EA	\$44.40

NPT Products are a non stock item, available on request

## True Fit Tank Fittings

Used for connecting Low Density Polyethylene Pipe (LDPE), Flexible Pipe & Hose. Push on hose and use a hose clip to hold hose on. Used in tanks and in hulls on boats.

### Male Tank Fitting Black Hose End



Code	Metric	Imperial	Pack Size	RRP
HTFB15	15mm	1/2"	EA	\$11.33
HTFB20	20mm	3/4"	EA	\$14.96
HTFB25	25mm	1"	EA	\$17.33
HTFB32	32mm	1 1/4"	EA	\$22.55
HTFB40	40mm	1 1/2"	EA	\$28.27
HTFB50	50mm	2"	EA	\$37.84

### Short Male Tank Fitting Black BSPP



Used to connect Female Threads. Used in tanks and in hulls on boats.

Code	Metric	Imperial	Pack Size	RRP
HTFB25S	25mm	1"	EA	\$17.33
HTFB50S	50mm	2"	EA	\$37.84

### Long Male Tank Fitting Black BSPT



Used to connect Female Threads. Used in tanks and in hulls on boats.

Code	Metric	Imperial	Pack Size	RRP
HTFB25L	25mm	1"	EA	\$17.33
HTFB50L	50mm	2"	EA	\$37.84

Used for connecting Low Density Polyethylene Pipe (LDPE), Flexible Pipe & Hose. Push on hose and use a hose clip to hold hose on. Used in tanks and in hulls on boats.

### Male Tank Fitting White Hose End



Code	Metric	Imperial	Pack Size	RRP
HTFW15	15mm	1/2"	EA	\$11.33
HTFW20	20mm	3/4"	EA	\$14.96
HTFW25	25mm	1"	EA	\$17.33
HTFW32	32mm	1 1/4"	EA	\$22.55
HTFW40	40mm	1 1/2"	EA	\$28.27
HTFW50	50mm	2"	EA	\$37.84

### Short Male Tank Fitting White BSPP



Used to connect Female Threads. Used in tanks and in hulls on boats.

Code	Metric	Imperial	Pack Size	RRP
HTFW25S	25mm	1"	EA	\$17.33
HTFW50S	50mm	2"	EA	\$37.84

Prices are in AUD and are inclusive of 10% GST. Recommended Retail Prices are indicative and Actual Retail Prices may vary between retailers.

## True Fit Tank Fittings

### Long Male Tank Fitting White



Used to connect Female Threads. Used in tanks and in hulls on boats.

HTFW25L	25mm	1"	EA	\$17.33
HTFW50L	50mm	2"	EA	\$37.84

An accessory Nut designed to fit Male Tank Fittings Black (HTFB, HTFBS, HTFBL) and White (HTFW, HTFWS, HTFWL).

### Back Nut Black



Code	Metric	Imperial	Pack Size	RRP
HBN15	15mm	1/2"	EA	\$4.31
HBN20	20mm	3/4"	EA	\$4.90
HBN25	25mm	1"	EA	\$5.56
HBN32	32mm	1 1/4"	EA	\$6.77
HBN40	40mm	1 1/2"	EA	\$8.03
HBN50	50mm	2"	EA	\$9.74

### Back Nut White



HBNW15	15mm	1/2"	EA	\$4.31
HBNW20	20mm	3/4"	EA	\$4.90
HBNW25*	25mm	1"	EA	\$5.56
HBNW32*	32mm	1 1/4"	EA	\$6.77
HBNW40*	40mm	1 1/2"	EA	\$8.03
HBNW50*	50mm	2"	EA	\$9.74

\*Non stock item, available on request

### Large Back Nut Black



An accessory Nut designed to fit the Female Tank Fitting Black (HTFFTB & HTFFBS) and White (HTFFTW & HTFFWS).

Code	Metric	Imperial	Pack Size	RRP
HBNL15	15mm	1/2"	EA	\$5.36
HBNL20	20mm	3/4"	EA	\$5.84
HBNL25	25mm	1"	EA	\$6.75
HBNL32	32mm	1 1/4"	EA	\$8.18
HBNL40	40mm	1 1/2"	EA	\$9.62
HBNL50	50mm	2"	EA	\$11.29

### Large Back Nut White



Code	Metric	Imperial	Pack Size	RRP
HBNLW15	15mm	1/2"	EA	\$5.36
HBNLW20	20mm	3/4"	EA	\$5.84
HBNLW25	25mm	1"	EA	\$6.75
HBNLW32	32mm	1 1/4"	EA	\$8.18
HBNLW40	40mm	1 1/2"	EA	\$9.62
HBNLW50	50mm	2"	EA	\$11.29

Prices are in AUD and are inclusive of 10% GST. Recommended Retail Prices are indicative and Actual Retail Prices may vary between retailers.

## True Fit Tank Fittings



**Back Nut  
Left Hand  
Thread**  
Black

*Left Hand ACME thread Back Nut designed to fit Female Tank Fitting (HTFFB 80 and 100mm).*

Code	Metric	Imperial	Pack Size	RRP
HBN80	80mm	3"	EA	\$26.94
HBN100	100mm	4"	EA	\$28.44

**Male Tank Fitting  
Rubber Washer**  
Black



*An accessory Washer designed to fit the Male Tank Fitting Black (HTFB, HTFBS, HTFBL) & White (HTFW, HTFWS, HTFWL).*

Code	Metric	Imperial	Pack Size	RRP
HW15	15mm	1/2"	EA	\$1.24
HW20	20mm	3/4"	EA	\$1.44
HW25	25mm	1"	EA	\$1.68
HW32	32mm	1 1/4"	EA	\$2.16
HW40	40mm	1 1/2"	EA	\$2.26
HW50	50mm	2"	EA	\$2.44

**Male Tank Fitting  
Rubber Washer**  
White



Code	Metric	Imperial	Pack Size	RRP
HRWW15*	15mm	1/2"	EA	\$1.24
HRWW20*	20mm	3/4"	EA	\$1.44
HRWW25*	25mm	1"	EA	\$1.68
HRWW32*	32mm	1 1/4"	EA	\$2.16
HRWW40*	40mm	1 1/2"	EA	\$2.26
HRWW50*	50mm	2"	EA	\$2.44

*\*Non stock item, available on request*

**Male Tank Fitting  
LDPE Washer**  
Black



*An accessory Washer designed to fit the Male Tank Fitting Black (HTFB, HTFBS, HTFBL) & White (HTFW, HTFWS, HTFWL).*

Code	Metric	Imperial	Pack Size	RRP
HW15PB*	15mm	1/2"	EA	\$0.67
HW20PB*	20mm	3/4"	EA	\$0.87
HW25PB*	25mm	1"	EA	\$1.20
HW32PB*	32mm	1 1/4"	EA	\$1.20
HW40PB*	40mm	1 1/2"	EA	\$1.20
HW50PB*	50mm	2"	EA	\$1.24

*\*Non stock item, available on request*

**Male Tank Fitting  
LDPE Washer**  
White



Code	Metric	Imperial	Pack Size	RRP
PW15*	15mm	1/2"	EA	\$0.67
PW20	20mm	3/4"	EA	\$0.87
PW25	25mm	1"	EA	\$1.20
PW32	32mm	1 1/4"	EA	\$1.20
PW40	40mm	1 1/2"	EA	\$1.20
PW50	50mm	2"	EA	\$1.24

*\*Non stock item, available on request*

Prices are in AUD and are inclusive of 10% GST. Recommended Retail Prices are indicative and Actual Retail Prices may vary between retailers.



## True Fit Tank Fittings

### Female Tank Fitting Rubber Washer Black



An accessory Washer designed to fit the Female Tank Fitting Black (HTFFTB, HTFFBS & HTFFB) & White (HTFFTW & HTFFWS).

Code	Metric	Imperial	Pack Size	RRP
HWL15	15mm	1/2"	EA	\$2.01
HWL20	20mm	3/4"	EA	\$2.16
HWL25	25mm	1"	EA	\$2.26
HWL32	32mm	1 1/4"	EA	\$3.06
HWL40	40mm	1 1/2"	EA	\$3.78
HWL50	50mm	2"	EA	\$4.60
HWL80R	80mm	3"	EA	\$7.54
HWL100R*	100mm	4"	EA	\$10.57

\*Non stock item, available on request

### Female Tank Fitting Rubber Washer White



HWLW15	15mm	1/2"	EA	\$2.01
HWLW20	20mm	3/4"	EA	\$2.16
HWLW25	25mm	1"	EA	\$2.26
HWLW32	32mm	1 1/4"	EA	\$3.06
HWLW40	40mm	1 1/2"	EA	\$3.78
HWLW50	50mm	2"	EA	\$4.60

### Female Tank Fitting LDPE Washer Black



An accessory Washer designed to fit the Female Tank Fitting Black (HTFFTB, HTFFBS & HTFFB) & White (HTFFTW & HTFFWS).

Code	Metric	Imperial	Pack Size	RRP
HWL15P*	15mm	1/2"	EA	\$1.01
HWL20P*	20mm	3/4"	EA	\$1.10
HWL25P*	25mm	1"	EA	\$1.20
HWL32P*	32mm	1 1/4"	EA	\$1.53
HWL40P*	40mm	1 1/2"	EA	\$2.01
HWL50P*	50mm	2"	EA	\$2.26
HWL80P	80mm	3"	EA	\$3.82
HWL100P*	100mm	4"	EA	\$3.89

### Female Tank Fitting LDPE Washer White



HWLW15P*	15mm	1/2"	EA	\$1.01
HWLW20P*	20mm	3/4"	EA	\$1.10
HWLW25P*	25mm	1"	EA	\$1.20
HWLW32P*	32mm	1 1/4"	EA	\$1.53
HWLW40P*	40mm	1 1/2"	EA	\$2.01
HWLW50P*	50mm	2"	EA	\$2.26

\*Non stock item, available on request

### Corrugated Tank Washer & Seal



An accessory Washer designed to be used with all Hansen Tank Fittings when installed on corrugated tanks.

Code	Metric	Imperial	Pack Size	RRP
HCW25	25mm	1"	EA	\$90.23
HCW40	40mm	1 3/4"	EA	\$100.95
HCW50	50mm	2"	EA	\$104.60

Prices are in AUD and are inclusive of 10% GST. Recommended Retail Prices are indicative and Actual Retail Prices may vary between retailers.

## IBC Tank Fittings

### True Fit Tank Fittings

**IBC Female Acme Adaptor** *Used to convert a Male ACME Thread on IBC Tank Outlet to a Female BSPT Thread. Comes with standard seal.*  
ACME x BSPT



Code	Metric	Pack Size	RRP
HIBCFAA6050	60mm x 50mm	EA	\$22.01



HIBCFAA7550	75mm x 50mm	EA	\$61.44
-------------	-------------	----	---------

**IBC Female Buttress Adaptor** *Used to convert a Male Buttress Thread on IBC Tank Outlet to a Female BSPT Thread. Comes with standard seal.*  
Buttress x BSPT



Code	Metric	Pack Size	RRP
HIBCFBA6050	60mm x 50mm	EA	\$22.01



HIBCFBA10080	100mm x 80mm	EA	\$82.83
--------------	--------------	----	---------

**IBC Standard Adaptor Seal** *Standard seal to be used for general use.*



Code	Metric	Pack Size	RRP
HIBCS60	60mm	EA	\$9.90
HIBCS75	75mm	EA	\$12.06
HIBCS100	100mm	EA	\$12.55

**IBC Fuel Adaptor Seal** *Fuel seal to be used when using with fuels.*



Code	Metric	Pack Size	RRP
HIBCF60	60mm	EA	POA
HIBCF75	75mm	EA	POA
HIBCF100	100mm	EA	POA



Prices are in AUD and are inclusive of 10% GST. Recommended Retail Prices are indicative and Actual Retail Prices may vary between retailers.



Code	Description	Pack Size	RRP
LEVEL ALERT	Tank Level Alert Indicator	EA	\$415.14

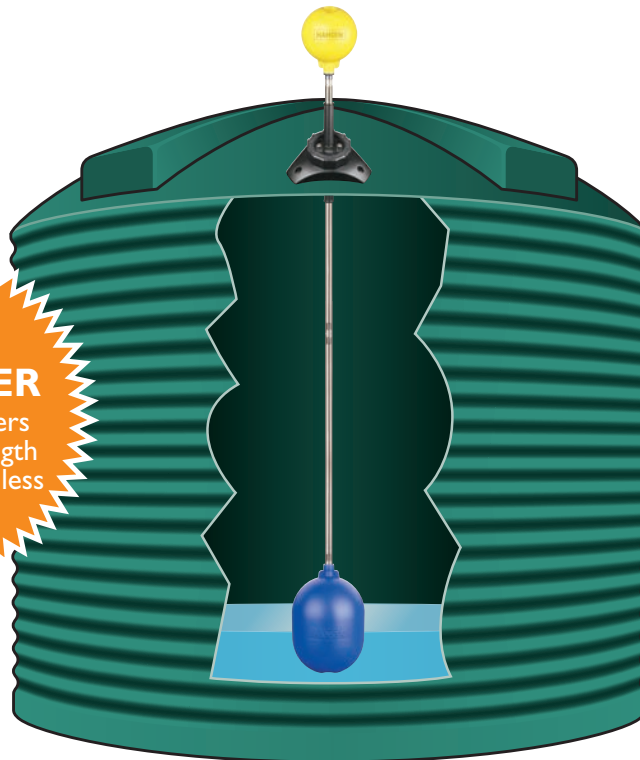
Supplied with: 3 lengths of 669mm Stainless Steel Tubes (16mm diameter)  
 Stainless Steel Fastenings, 115mm Threaded HiViz Float, 230mm  
 Long Threaded Blue Float, UniTri Mounting Base

## Monitor Water Levels

- ✓ Prevent Pump Burnout caused by Dry Tank Syndrome
- ✓ See at a glance your tank water level
- ✓ Suitable for any type or size tank
- ✓ Essential part of your water management
- Fully Adjustable UniTri mounting base.
- UniTri mount will adapt to a range of tank roof angles (max 35° angle)
- Suitable for plastic, concrete and steel tanks.
- Manufactured from UV resistant durable, glass fibre reinforced nylon with Stainless Steel Tubes (16mm diameter) and Stainless Steel Fastenings.
- Complete with all mounting fastenings for all applications.
- Optional Stainless Steel Extension tubes available (669mm).



**50% STRONGER**  
 16mm tube offers 50% more strength than 12mm stainless steel tubes



**Level Alert Indicator installed in Tank**














**UniTri Mounting Base**

The Level alert in this catalogue is protected by intellectual property rights owned by the Hansen group of companies in New Zealand. For more information refer to the legal information section.

Prices are in AUD and are inclusive of 10% GST. Recommended Retail Prices are indicative and Actual Retail Prices may vary between retailers.



## Components

	Code	Description	Pack Size	RRP
	HLASSTUBE	669mm Stainless Steel Tube (1 x 16mm Male & Male Tube, end can be removed to make Male & Female)	EA	\$119.90
	HLANUTB	Black Cap Nut	EA	\$7.86
	HLAGUIDE	Guide Tube Assembly	EA	\$43.56
	HLALSCREW	Security Lock Screw	EA	\$2.56
	HLAMSCREW	UniTri Mount Screws	3	\$7.86
	HLAUNIMOUNT	UniTri Mount	EA	\$21.11
	HLAPLUGS	Wall Plugs	3	\$3.93
	HLANUTS	Plastic Wing Nuts	3	\$11.58
	HDUALFLOATA	Dual Float Adaptor	EA	\$12.35
	HFLOAT230L	155mm x 230mm Long Threaded Float Blue	EA	\$21.29
	HFLOAT115HI	115mm HiViz Threaded Float	EA	\$13.42
	LADRILLBIT4	4mm Drill Bit	EA	\$10.21
	LADRILLBIT7	7mm Concrete Drill Bit	EA	\$8.25

Prices are in AUD and are inclusive of 10% GST. Recommended Retail Prices are indicative and Actual Retail Prices may vary between retailers.

## Leveller Valve High Performance Reservoir / Tank Valve



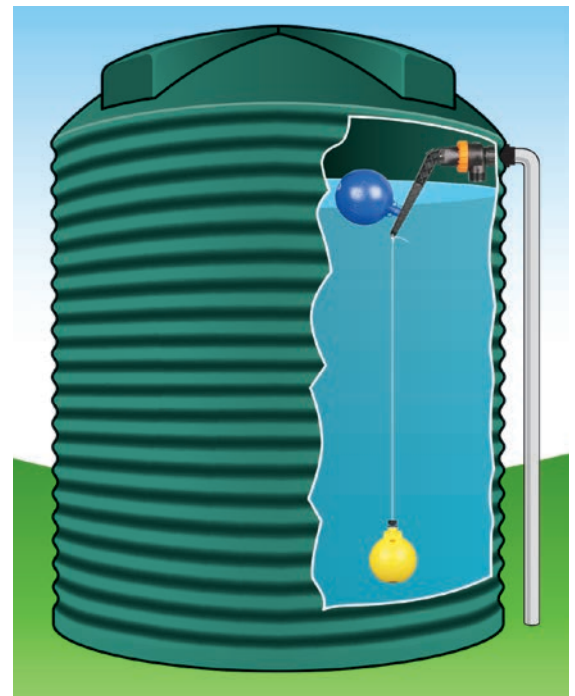
Code	Description	Pack Size	RRP
HLEVELLERS	LEVELLER VALVE 32/40/50	EA	\$290.60
Supplied with: Complete Valve Body, 32, 40 & 50mm Standard Adaptors, Leveller Control, 115mm Weighted HiViz Threaded Ball, 140mm Blue Threaded Float, 2.4 metre Cord			

**Enables you to set a minimum & maximum water level when filling your tank with a pump**


### Leveller Valve Features and Benefits

- ✓ Lengthen your Pump's Life with Less on/off Cycles
- ✓ Prevent Pump Burnout caused by Dry Tank Syndrome
- ✓ Combine with Rain Harvesting to take advantage of Natures Reserves

- High performance cost effective Reservoir/Tank valve
- Adjustable Minimum and Maximum on/off control (50mm - 2.5 metre).
- Suitable for High/Low pressures (0.2 Bar - 12 Bar).
- Delivers high volumes of water quickly with unrestricted full flow (1275 l/min at 12 Bar).
- Patent pending "self cleaning pilot" for use in clean/dirty water conditions.
- Soft open and close action preventing valve bounce and water hammer.
- Strong compact design.
- Threaded outlet for use with a diffuser tube, ideal for high flows, eliminating turbulence.
- Punch out anti-syphon holes for multi tank filling or diffuser installations.
- Manufactured from strong, non-corrosive UV stabilised materials.



## Components of the *Leveller Valve*

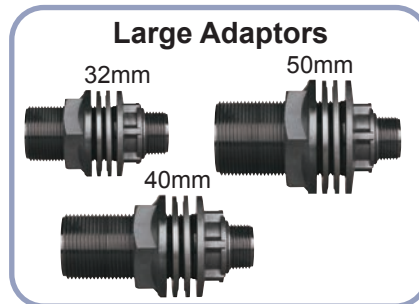
	Code	Description	Pack Size	RRP
	HMFBODY	25mm Female BSPT Diaphragm Valve Body	EA	\$21.40
	HMGDIA	25mm Diaphragm with Stainless Steel Spring	EA	\$33.77
	HLVNUTO	Valve Body Cap Nut	EA	\$9.02
	HLVCAPASS	Cap Assembly (Cap, Seal, Rocker)	EA	\$25.30
	HLVPHASS	Plunger Housing Assembly (Roller, Plunger, Spring, Plunger Housing)	EA	\$17.99
	HLVCLAMPSET	Clamp Set (Clamp Bolt 5/16 SS, Clamp Block)	EA	\$15.62
	HLVHARMASS	Housing and Arm Assembly (Housing, Arm, Pivot Tube, SS Pin)	EA	\$35.73
	HLVPIN40	40mm Stainless Steel Split Pin	10	\$18.50
	HLVCORD	2.4 Metre Cord	EA	\$15.62
	HFLOAT140B	140mm Threaded Blue Float	EA	\$13.64
	HLVWFLOAT	115mm Weighted HiViz Threaded Ball (Weight included)	EA	\$26.03
<b>Accessories</b>				
Long Tail Adaptor with O-Ring Seal				
	HMAL15	25mm BSPT to 15mm BSPT	EA	\$17.77
	HMAL20	25mm BSPT to 20mm BSPT	EA	\$17.77
	HMAL25	25mm BSPT to 25mm BSPT	EA	\$17.77
	HMAL32	25mm BSPT to 32mm BSPT	EA	\$19.69
	HMAL40	25mm BSPT to 40mm BSPT	EA	\$20.62
	HMAL50	25mm BSPT to 50mm BSPT	EA	\$24.07
Standard Adaptor with O-Ring Seal				
	HMA15	25mm BSPT to 15mm BSPT	EA	\$6.71
	HMA20	25mm BSPT to 20mm BSPT	EA	\$6.71
	HMA25	25mm BSPT to 25mm BSPT	EA	\$6.71
	HMA32	25mm BSPT to 32mm BSPT	EA	\$6.71
	HMA40	25mm BSPT to 40mm BSPT	EA	\$14.13
	HMA50	25mm BSPT to 50mm BSPT	EA	\$14.12

Prices are in AUD and are inclusive of 10% GST. Recommended Retail Prices are indicative and Actual Retail Prices may vary between retailers.

## Rapid-Flo Valve

RAIN RELIEF

### High Performance Rain Relief Tank Valve



Code	Description	Pack Size	RRP
HRRRF152025	Rapidflo Valve 15/20/25 Long Tail	EA	\$290.60
HRRRF324050	Rapidflo Valve 32/40/50 Long Tail	EA	\$290.60

Supplied with: Complete Valve Body, Weighted Float, 2.4 metre Cord and either 15mm & 20mm & 25mm Long Tail Adaptor or 32mm & 40mm & 50mm Long Tail Adaptor.

## Enables you to supplement your rainwater tank during dry weather spells

If the tanks rain water level drops below minimum, the *Rapid-Flo* valve opens to supplement the tanks water from an alternative source such as the mains water supply.

### Rapid-Flo Valve Features & Benefits












- ✓ Rain Harvesting & only pump when you need to
- ✓ Unrestricted full flow up to 1275 l/min at 12 Bar
- ✓ Prevent Dry Tank Syndrome
  - Maintains a minimum water level in rainwater tanks.
  - Delivers high volumes of water quickly with unrestricted full flow (1275 l/min at 12 Bar).
  - Suitable for high/low pressures (0.2 Bar – 12 Bar).
  - Patent pending “self cleaning pilot” for use in clean/ dirty water conditions.
  - Soft open and close action preventing valve bounce and water hammer.
  - Lock off plunger allows the valve to be manually locked to the off position.
  - Strong, compact design.
  - Manufactured from strong, non-corrosive UV stabilised materials.



The Rain Relief Valves in this catalogue are protected by intellectual property rights owned by the Hansen group of companies in New Zealand. For more information refer to the legal information section.

Prices are in AUD and are inclusive of 10% GST. Recommended Retail Prices are indicative and Actual Retail Prices may vary between retailers.

## Components of the *Rapid-Flo* Rain Relief Valve

	Code	Description	Pack Size	RRP
	HMFBODY	25mm Valve Body	EA	\$21.40
	HRRDIA	25mm Rain Relief Diaphragm & SS Spring	EA	\$50.09
	HRRNUTG	Rain Relief Valve Body Cap Nut	EA	\$9.44
	HRRLP	Rain Relief Locking Plunger	EA	\$16.71
	HRRFCAPASS	Rain Relief Rapidflo Cap Assembly	EA	\$26.67
	HLVPHASS	Leveller Plun. Housing Assembly	EA	\$17.99
	HRRARMASS	Rain Relief Arm Assembly	EA	\$23.38
	HLVPIN40	40mm Stainless Steel Split Pin	10	\$18.50
	HRRWFLOAT	Rain Relief Weighted Float	EA	\$63.61
	HRRCORD	Rain Relief 2.4M Cord	EA	\$15.00
	HRRWC	Rain Relief Weight & Carrier	EA	\$20.00
<b>Accessories</b>				
	Long Tail Adaptor with O-Ring Seal			
	HMAL15	25mm BSPT to 15mm BSPT	EA	\$17.77
	HMAL20	25mm BSPT to 20mm BSPT	EA	\$17.77
	HMAL25	25mm BSPT to 25mm BSPT	EA	\$17.77
	HMAL32	25mm BSPT to 32mm BSPT	EA	\$19.69
	HMAL40	25mm BSPT to 40mm BSPT	EA	\$20.62
	HMAL50	25mm BSPT to 50mm BSPT	EA	\$24.07
	Standard Adaptor with O-Ring Seal			
	HMA15	25mm BSPT to 15mm BSPT	EA	\$6.71
	HMA20	25mm BSPT to 20mm BSPT	EA	\$6.71
	HMA25	25mm BSPT to 25mm BSPT	EA	\$6.71
	HMA32	25mm BSPT to 32mm BSPT	EA	\$6.71
	HMA40	25mm BSPT to 40mm BSPT	EA	\$14.13
	HMA50	25mm BSPT to 50mm BSPT	EA	\$14.12

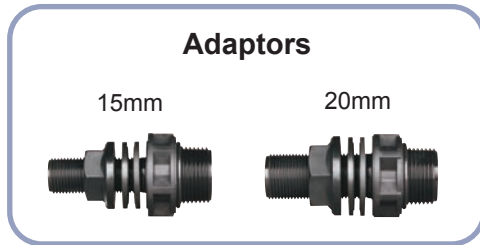
Prices are in AUD and are inclusive of 10% GST. Recommended Retail Prices are indicative and Actual Retail Prices may vary between retailers.



## Slo-Flo Valve

RAIN RELIEF

### Restricted Performance Rain Relief Tank Valve



Code	Description	Pack Size	RRP
HRRSF1520	Sloflo Valve 15/20 Long Tail	EA	\$290.60

Supplied with: Complete Valve Body, Weighted Float, 2.4 metre Cord, 15mm & 20mm Long Tail Adaptor.

## Enables you to supplement your rainwater tank during dry weather spells

If the tanks rain water level drops below minimum, the *Slo-Flo* valve opens to supplement the tanks water from an alternative source such as the mains water supply.

### *Slo-Flo* Valve Features and Benefits

- ✓ Rain Harvesting & only pump when you need to
- ✓ Restricted flow to 2.0 l/min
- ✓ Prevent Dry Tank Syndrome
- Maintains a minimum water level in tanks.
- Delivers consistent 2.0 l/min.
- Suitable for high/low pressures (0.2 Bar – 12 Bar).
- Patent pending “self cleaning pilot” for use in clean/ dirty water conditions.
- Soft open and close action preventing valve bounce and water hammer.
- Strong, compact design.
- Manufactured from strong, non-corrosive UV stabilised materials.



Note: Strainer and Gooseneck not included.

The Rain Relief Valves in this catalogue are protected by intellectual property rights owned by the Hansen group of companies in New Zealand. For more information refer to the legal information section.

Prices are in AUD and are inclusive of 10% GST. Recommended Retail Prices are indicative and Actual Retail Prices may vary between retailers.

## Components of the *SloFlo* Rain Relief Valve

	Code	Description	Pack Size	RRP
	HRRSFBODY	25mm Rain Relief Sloflo Valve Body	EA	\$25.07
	HRRDIA	25mm Rain Relief Diaphragm & SS Spring	EA	\$50.09
	HRRNUTG	Rain Relief Valve Body Cap Nut	EA	\$9.44
	HRRLP	Rain Relief Locking Plunger	EA	\$16.71
	HRRSFCAPASS	Rain Relief Sloflo Cap Assembly	EA	\$30.03
	HLVPHASS	Leveller Plun. Housing Assembly	EA	\$17.99
	HRRSFFR	Rain Relief Sloflo Flow Restrictor	EA	\$6.08
	HRRSFOA	Rain Relief Sloflo Outlet Adaptor	EA	\$6.08
	HRRARMAS	Rain Relief Arm Assembly	EA	\$23.38
	HLVPIN40	40mm Stainless Steel Split Pin	10	\$18.50
	HRRCORD	Rain Relief 2.4M Cord	EA	\$15.00
	HRRWFLOAT	Rain Relief Weighted Float	EA	\$63.61
	HRRWC	Rain Relief Weight & Carrier	EA	\$20.00
<b>Accessories</b>				
Long Tail Adaptor with O-Ring Seal				
	HMAL15	25mm BSPT to 15mm BSPT	EA	\$17.77
	HMAL20	25mm BSPT to 20mm BSPT	EA	\$17.77
	HMAL25	25mm BSPT to 25mm BSPT	EA	\$17.77
	HMAL32	25mm BSPT to 32mm BSPT	EA	\$19.69
	HMAL40	25mm BSPT to 40mm BSPT	EA	\$20.62
	HMAL50	25mm BSPT to 50mm BSPT	EA	\$24.07
Standard Adaptor with O-Ring Seal				
	HMA15	25mm BSPT to 15mm BSPT	EA	\$6.71
	HMA20	25mm BSPT to 20mm BSPT	EA	\$6.71
	HMA25	25mm BSPT to 25mm BSPT	EA	\$6.71
	HMA32	25mm BSPT to 32mm BSPT	EA	\$6.71
	HMA40	25mm BSPT to 40mm BSPT	EA	\$14.13
	HMA50	25mm BSPT to 50mm BSPT	EA	\$14.12

Prices are in AUD and are inclusive of 10% GST. Recommended Retail Prices are indicative and Actual Retail Prices may vary between retailers.

## TECHNICAL INFORMATION *True Fit Tank Fittings*

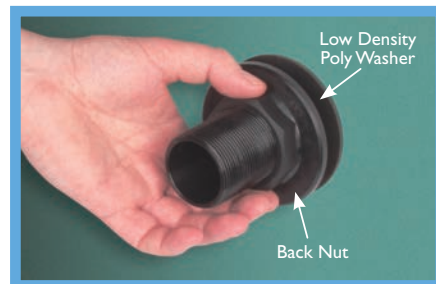
### *True Fit* Tank Fittings Quick & Easy Installation

- Prior to installation, refer to tank manufacturer's recommendations before drilling outlet in tank wall.
- All pipe work must be adequately supported.
- Use a thread sealant on all threaded connections. We recommend Loctite 5331.
- If you are using chemicals or have any special requirements that you wish to use your Tank Fittings in, go to the Tank Fitting Chemical Resistance page or don't hesitate to contact us.
- Please refer opposite page for Minimum Recommended Hole Sizes.
- Check the sealing surface to ensure it is free from debris and/or scratches which could cause leakage.
- To obtain proper washer compression for fitting installation ensure the face of the washers fully contacts the tank wall.
- Tighten the nut to ensure a water tight seal.
- HANSEN™ *True Fit* Tank Fitting can be used in conjunction with metal fittings.

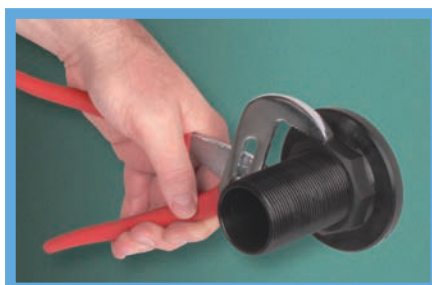
### *True Fit* Tank Fittings Installation Steps



1. Remove the Back Nut and the Low Density Poly Washer (the firmer of the 2 washers) from the Tank Fitting Body. Slide the Tank Fitting Body through the hole in the tank. The Rubber Washer must be between the Fitting Body Flange and the tank wall (ensure the ribs on the Rubber Washer are sealing against the tank wall).



2. On the inside of the tank wall, slide the Low Density Poly Washer back onto the Tank Fitting Body and then wind on the Back Nut.



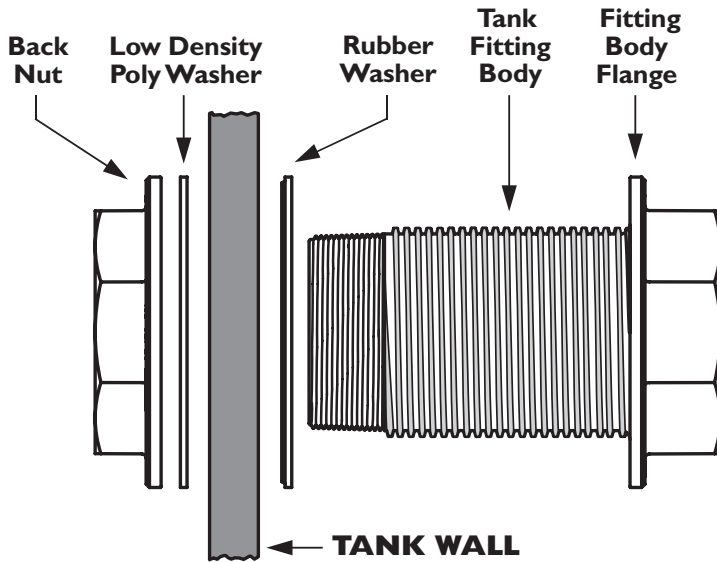
3. Tighten the Back Nut so that the face of both washers make full contact with the tank wall to obtain a water tight seal. Ensure that you comply with the tank manufacturers specifications.



4. When adding additional fittings it is recommended that either a thread sealing paste or thread sealing tape be used on all threaded connections. We recommend LOCTITE 5331.

## True Fit Tank Fittings TECHNICAL INFORMATION

### True Fit Tank Fittings Installation Steps



#### Tank Fitting Minimum Recommended Hole Sizes:

15mm	= 22mm	or 7/8"	Hole Saw
20mm	= 27mm	or 1 1/16"	Hole Saw
25mm	= 34mm	or 1 3/8"	Hole Saw
32mm	= 42mm	or 1 5/8"	Hole Saw
40mm	= 48mm	or 1 7/8"	Hole Saw
50mm	= 60mm	or 2 3/8"	Hole Saw
80mm	= 96mm	or 3 3/4"	Hole Saw
100mm	= 122mm	or 4 3/4"	Hole Saw

## LARGE TANK FITTING



### True Fit Tank Fittings Pressure Rating

Hansen have tested all its products for use with cold water up to a maximum temperature of 60°C (140°F). We do not recommend the use of these products with temperatures higher than 60°C (140°F) as plastic expands due to temperature increases. Hansen cannot guarantee the products will perform when used with temperatures over 60°C (140°F). Hansen products that have failed in temperatures higher than 60°C (140°F) will not be covered by the Hansen warranty.

Fitting Size	MAX PRESSURE @ 20 Degrees Celsius
15mm - 50mm	16 Bar (1600 kPa. 235 psi)
80mm - 100mm	10 Bar (1000 kPa. 145 psi)

TECHNICAL INFORMATION *True Fit Tank Fittings*

*True Fit* Tank Fittings Chemical Resistance Chart

CHEMICAL TYPE	RESISTANCE LEVEL		
	Good	OK But Check Further	BAD Try to Avoid
Acids Weak			X
Acids Strong			X
Organic Acids Weak		X	
Organic Acids Strong			X
Bases Weak	X		
Bases Strong		X	
Bleach			X
CHEMICAL TYPE	RESISTANCE LEVEL		
Automotive Fuel			X
Automotive Lubricants			X
Hydraulic Fluids			X
CHEMICAL TYPE	RESISTANCE LEVEL		
Solvents		X	
Hydrocarbons	X		
Halogens			X
Alcohols		X	
Aldehydes			X
Amines			X
Esters			X
Ethers			X
Ketones			X
CHEMICAL TYPE	RESISTANCE LEVEL		
Detergents	X		
Oxidising Agents			X
Weak Hydrogen Peroxide		X	
Ozone			X
Phenols			X

PLEASE NOTE: This chart is intended as a basic guide only. The resistance to a given chemical will vary with temperature & concentrations. Some chemicals within the group mentioned may result in different rating. For further information, please email us with your specific question.

TANK

## True Fit Tank Fittings TECHNICAL INFORMATION

### True Fit Tank Fittings Frequently Asked Questions

**Q How tight should I tighten my fittings?**

**A** Do not over tighten. The right way to assemble a tank fitting is hand tight plus one to two turns-no more! For more information on installation tips refer to Installation steps.

**Q What type of sealant should I use?**

**A** Use a thread sealant on all tank connections. We recommend Loctite 5331.

**Q Can I use these fittings with metal fittings?**

**A** Yes. For more information on installation tips refer to Installation steps.

**Q Can I use my Hansen fittings with my swimming pool/spa pool set up?**

**A** No, as the high concentration of chlorine used in the water for pools, will attack the material. The fitting material is only suitable for use with domestic water. Hansen products that are used in this application will not be covered by the Hansen Warranty.

**Q What temperature can I use Hansen fittings at?**

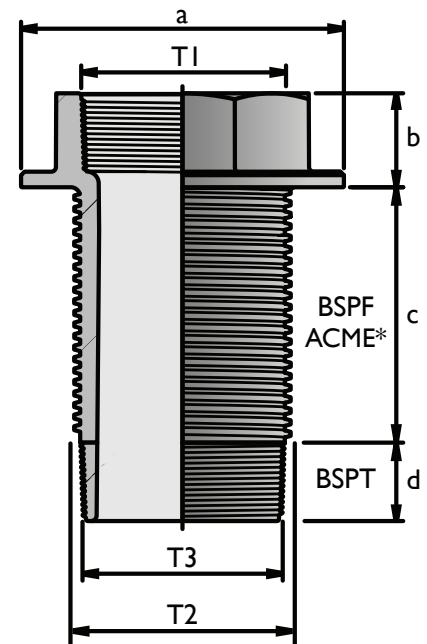
**A** Hansen have tested all its products for use with cold water up to a maximum temperature of 60°C (140°F). We do not recommend the use of these products with temperatures higher than 60°C (140°F) as plastic expands due to temperature increases. Hansen cannot guarantee the products will perform when used with temperatures over 60°C (140°F). Hansen products that have failed in temperatures higher than 60°C (140°F) will not be covered by the Hansen Warranty.

### Dimensions: Female Tank Fitting Black & White Code: HTFFTB, HTFFB and HTFFTW

Product Code	T1 BSPT	T2 BSPF	T3 BSPT	a mm	b mm	c mm	d mm
HTFFTB and HTFFTW15	1/2" (15mm)	1/2" (15mm)	1/2" (15mm)	57	20	97	8
HTFFTB and HTFFTW20	3/4" (20mm)	3/4" (20mm)	3/4" (20mm)	63.5	21	96	9
HTFFTB and HTFFTW25	1" (25mm)	1" (25mm)	1" (25mm)	73	24	95	10.5
HTFFTB and HTFFTW32	1 1/4" (32mm)	1 1/4" (32mm)	1 1/4" (32mm)	83.5	25.5	93	12
HTFFTB and HTFFTW40	1 1/2" (40mm)	1 1/2" (40mm)	1 1/2" (40mm)	92	26.7	93	12
HTFFTB and HTFFTW50	2" (50mm)	2" (50mm)	2" (50mm)	105	31	90	15
HTFFB80	3" (80mm)	94mm ACME*	3" (80mm)	140	40	110*	34
HTFFB100	4" (100mm)	120mm ACME*	4" (100mm)	166	47	112*	41

BSPF = British Standard Pipe Parallel  
BSPT = British Standard Pipe Taper

\*Left hand ACME thread on HTFFB80 and HTFFB100 Fittings only



#### Minimum Recommended Hole Sizes

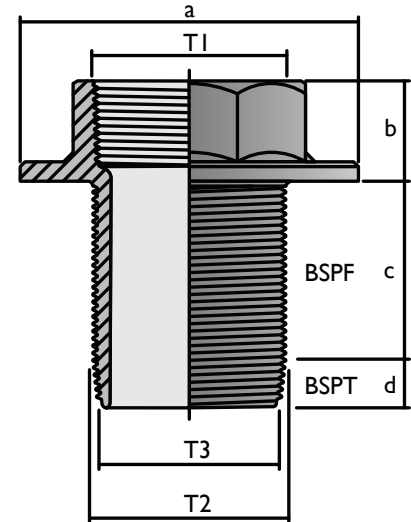
Hole Size for HTFFTB & HTFFTW 15mm = 22mm diameter  
Hole Size for HTFFTB & HTFFTW 20mm = 27mm diameter  
Hole Size for HTFFTB & HTFFTW 25mm = 34mm diameter  
Hole Size for HTFFTB & HTFFTW 32mm = 42mm diameter

Hole Size for HTFFTB & HTFFTW 40mm = 49mm diameter  
Hole Size for HTFFTB & HTFFTW 50mm = 61mm diameter  
Hole Size for HTFFB 80mm = 96mm diameter  
Hole Size for HTFFB 100mm = 122mm diameter

## TECHNICAL INFORMATION *True Fit Tank Fittings*

### Dimensions: Short Female Tank Fitting Black & White Code: HTFFB (S) and HTFFW (S)

Product Code	T1 BSPT	T2 BSPF	T3 BSPT	a mm	b mm	c mm	d mm
HTFFB15S and HTFFW15S	1/2" (15mm)	1/2" (15mm)	1/2" (15mm)*	57	20	70	0
HTFFB20S and HTFFW20S	3/4" (20mm)	3/4" (20mm)	3/4" (20mm)	63.5	21	61	9
HTFFB25S and HTFFW25S	1" (25mm)	1" (25mm)	1" (25mm)	73	24	59.5	10.5
HTFFB32S and HTFFW32S	1 1/4" (32mm)	1 1/4" (32mm)	1 1/4" (32mm)	83.5	25.5	58	12
HTFFB40S and HTFFW40S	1 1/2" (40mm)	1 1/2" (40mm)	1 1/2" (40mm)	92	26.7	58	12
HTFFB50S and HTFFW50S	2" (50mm)	2" (50mm)	2" (50mm)	105	31	55	15



BSPF = British Standard Pipe Parallel  
 BSPT = British Standard Pipe Taper

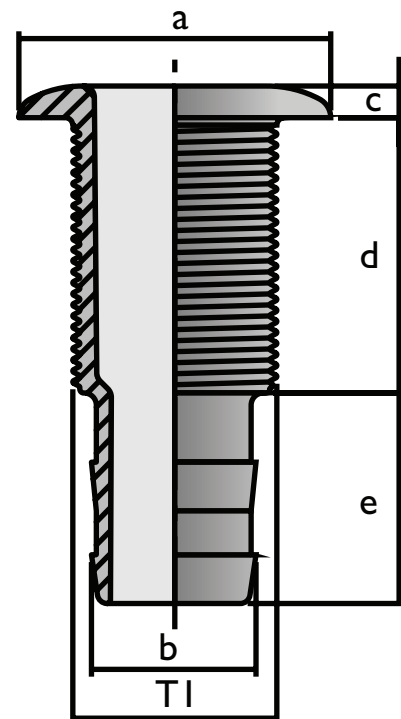
\*15mm fittings have a full length BSPF parallel thread with no BSPT taper at the end

#### Minimum Recommended Hole Sizes

- Hole Size for HTFFB (S) & HTFFW (S) 15mm = 22mm diameter
- Hole Size for HTFFB (S) & HTFFW (S) 20mm = 27mm diameter
- Hole Size for HTFFB (S) & HTFFW (S) 25mm = 34mm diameter
- Hole Size for HTFFB (S) & HTFFW (S) 32mm = 42mm diameter
- Hole Size for HTFFB (S) & HTFFW (S) 40mm = 49mm diameter
- Hole Size for HTFFB (S) & HTFFW (S) 50mm = 61mm diameter

### Dimensions: Male Tank Fitting Black & White Code: HTFB and HTFW

Product Code	T1 BSPF	a mm	b mm	c mm	d mm	e mm
HTFB and HTFW15	1/2" (15mm)	38.5	14	5.5	55	31
HTFB and HTFW20	3/4" (20mm)	45	21.5	6	55	35
HTFB and HTFW25	1" (25mm)	54	27.5	6.5	55	38
HTFB and HTFW32	1 1/4" (32mm)	64	33.5	7	55	43
HTFB and HTFW40	1 1/2" (40mm)	72	40.5	8	55	51
HTFB and HTFW50	2" (50mm)	84.6	52.6	8	55	55



#### Minimum Recommended Hole Sizes

- Hole Size for HTFB & HTFW 15mm = 22mm diameter
- Hole Size for HTFB & HTFW 20mm = 27mm diameter
- Hole Size for HTFB & HTFW 25mm = 34mm diameter
- Hole Size for HTFB & HTFW 32mm = 42mm diameter
- Hole Size for HTFB & HTFW 40mm = 49mm diameter
- Hole Size for HTFB & HTFW 50mm = 61mm diameter

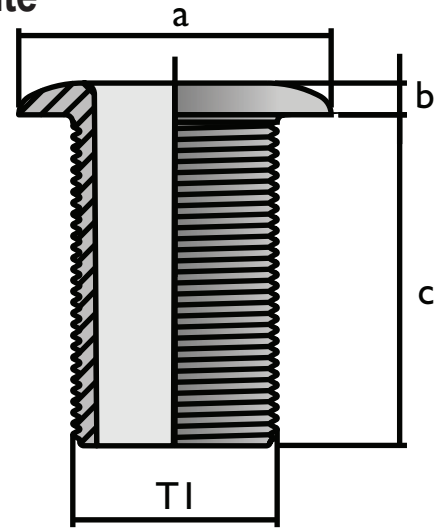
Specifications and sizes may change without prior notice

*True Fit Tank Fittings* TECHNICAL INFORMATION

**Dimensions: Short Male Tank Fitting Black & White**  
**Code: HTFB (S) and HTFW (S)**

Product Code	T1 BSPF	a mm	b mm	c mm
HTFB25S and HTFW25S	1/2" (25mm)	54	6.5	57
HTFB50S and HTFW50S	2" (50mm)	84.6	8	57

**Minimum Recommended Hole Sizes**  
 Hole Size for HTFB (S) and HTFW (S) 25mm = 34mm diameter  
 Hole Size for HTFB (S) and HTFW (S) 50mm = 61mm diameter



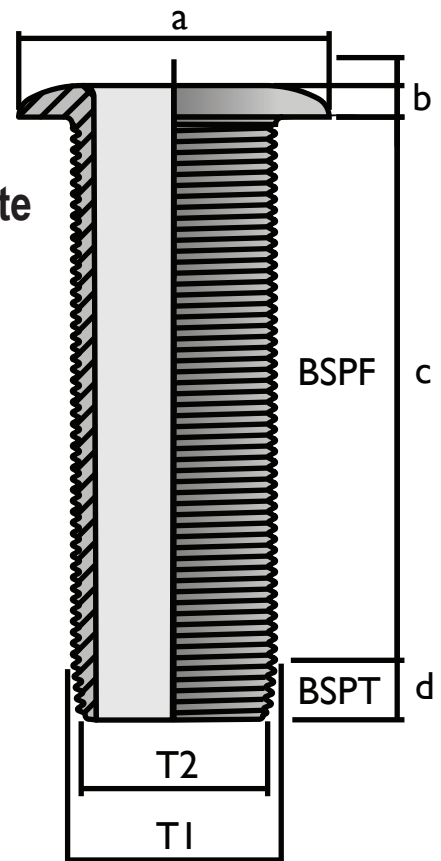
TANK

**Dimensions: Long Male Tank Fitting Black & White**  
**Code: HTFB (L) and HTFW (L)**

Product Code	T1 BSPF	T2 BSPT	a mm	b mm	c mm	d mm
HTFB25L and HTFW25L	1/2" (25mm)	1/2" (25mm)	84.6	6.5	94.5	10.5
HTFB50L and HTFW50L	2" (50mm)	2" (50mm)	84.6	8	90	15

BSPF = British Standard Pipe Parallel  
 BSPT = British Standard Pipe Taper

**Minimum Recommended Hole Sizes**  
 Hole Size for HTFB (L) and HTFW (L) 25mm = 34mm diameter  
 Hole Size for HTFB (L) and HTFW (L) 50mm = 61mm diameter



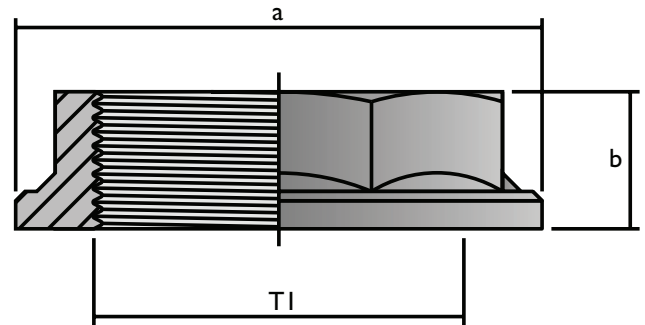
Specifications and sizes may change without prior notice



## TECHNICAL INFORMATION *True Fit Tank Fittings*

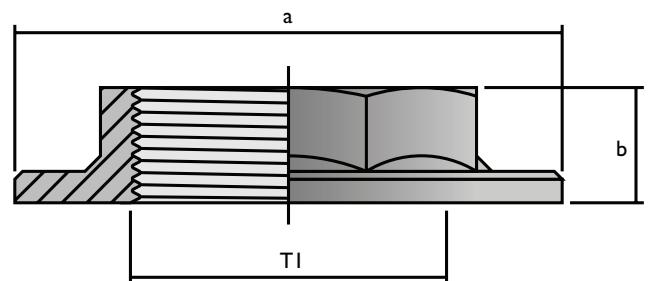
### Dimensions: Back Nut Black and White Code: HBN and HBNW

Product Code	T1 BSPF	a mm	b mm
HBN and HBNW15	1/2" (15mm)	39	17
HBN and HBNW20	3/4" (20mm)	46	18
HBN and HBNW25	1" (25mm)	55	19
HBN and HBNW32	1 1/4" (32mm)	65	20
HBN and HBNW40	1 1/2" (40mm)	73	21
HBN and HBNW50	2" (50mm)	86	22



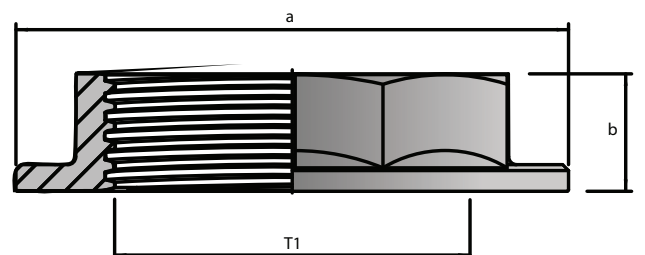
### Dimensions: Large Back Nut Black & White Code: HBNL and HBNLW

Product Code	T1 BSPF	a mm	b mm
HBNL and HBNLW15	1/2" (15mm)	57.5	17
HBNL and HBNLW20	3/4" (20mm)	64	18
HBNL and HBNLW25	1" (25mm)	73.5	19
HBNL and HBNLW32	1 1/4" (32mm)	84	20
HBNL and HBNLW40	1 1/2" (40mm)	93	21
HBNL and HBNLW50	2" (50mm)	106	22



### Dimensions: Back Nut Left Hand Thread Code: HBN

Product Code	T1 ACME	a mm	b mm
HBN80	90mm	140.5	29
HBN100	116.5mm	166.5	31

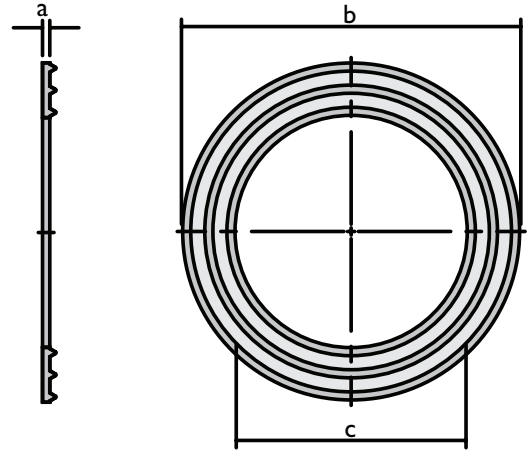


Specifications and sizes may change without prior notice

## True Fit Tank Fittings TECHNICAL INFORMATION

### Dimensions: Female Tank Fitting Rubber & LDPE Washer Black & White Code: HWL, HWL (P), HWLW, HWLW (P)

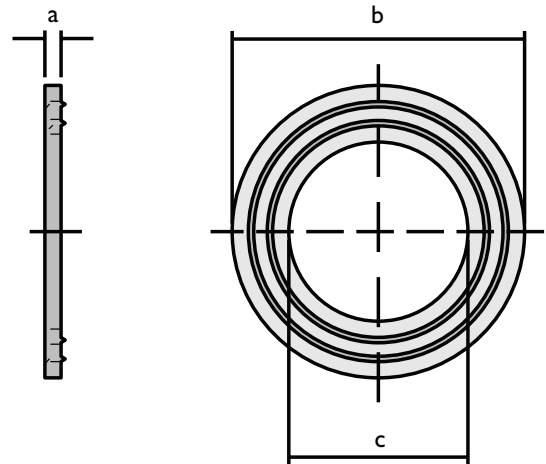
Product Code	a mm	b mm	c mm
HWL and HWL15P, HWLW and HWLW15P	2.8	57.0	20.9
HWL and HWL20P, HWLW and HWLW20P	2.8	63.5	26.4
HWL and HWL25P, HWLW and HWLW25 P	3.0	73.2	33.2
HWL and HWL32P, HWLW and HWLW32P	3.0	83.5	42.6
HWL and HWL40P, HWLW and HWLW40P	3.3	91.3	48.0
HWL and HWL50P, HWLW and HWLW50 P	3.3	104.2	59.8
HWL80R and HWL80P	3.1	140	95
HWL100R and HWL100P	3.1	166	122



Note: LDPE washers are non-ribbed

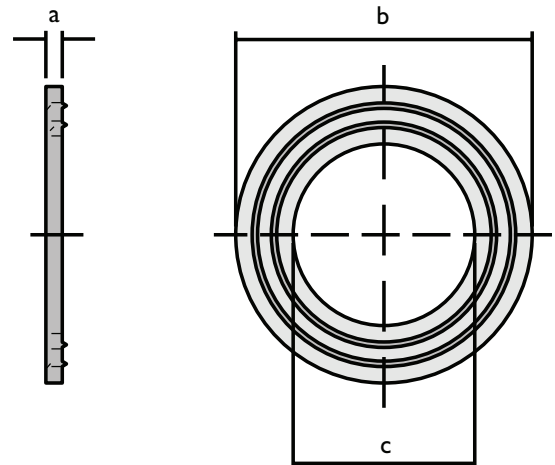
### Dimensions: Male Tank Fitting LDPE Washer Black and White Code: HW (PB) and PW

Product Code	a mm	b mm	c mm
HW15PB and PW15	2.8	38.6	20.9
HW20PB and PW20	2.8	45.4	26.4
HW25PB and PW25	3.0	54.2	33.2
HW32PB and PW32	3.0	64.3	42.6
HW40PB and PW40	3.3	72.0	48.0
HW50PB and PW50	3.3	84.6	59.8



### Dimensions: Male Tank Fitting Rubber Washer Black and White Code: HW and HRWW

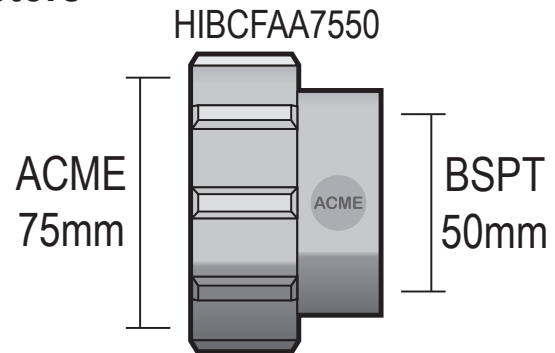
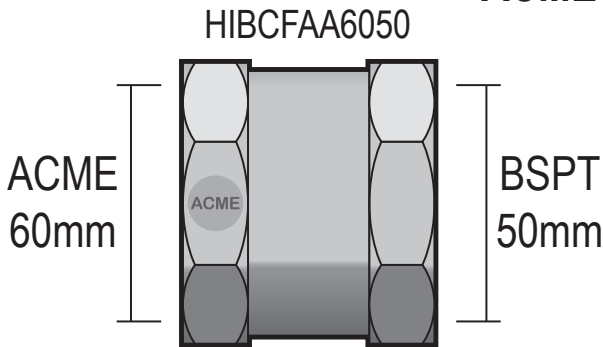
Product Code	a mm	b mm	c mm
HW and HRWW15	2.8	38.6	20.9
HW and HRWW20	2.8	45.4	26.4
HW and HRWW25	3.0	54.2	33.2
HW and HRWW32	3.0	64.3	42.6
HW and HRWW40	3.3	72.0	48.0
HW and HRWW50	3.3	84.6	59.8



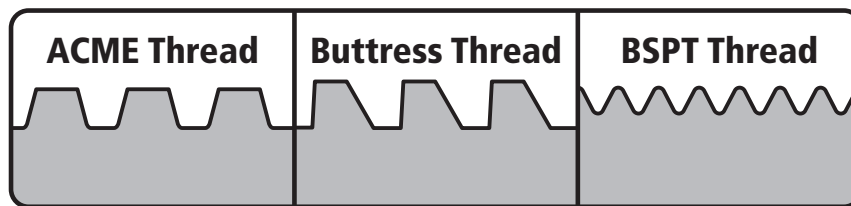
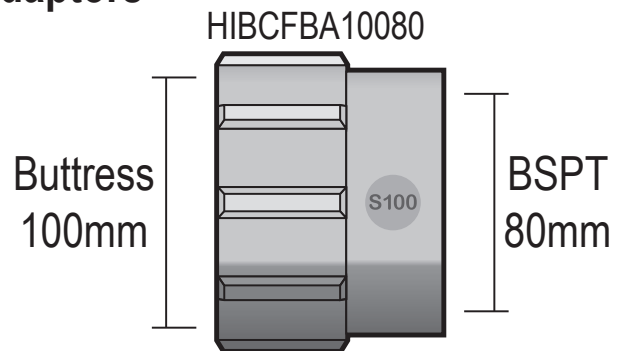
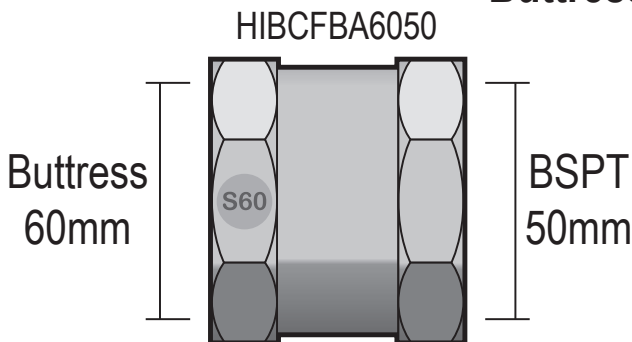
Specifications and sizes may change without prior notice

## IBC Adaptor Thread Sizes

### ACME Adaptors



### Buttress Adaptors



## IBC Tank Fitting Adaptor Frequently asked Questions

**Q How should I tighten my fittings?**

**A** There are two different threads on this fitting. The ACME/Buttress side of the fitting contains a seal so only needs to be hand tightened. The BSPT side of the fitting needs to be hand tightened plus one to two turns, no more!

**Q What type of sealant should I use?**

**A** Use a thread sealant on all threaded connections. We recommend Loctite 5331.

**Q What temperature can I use Hansen fittings at?**

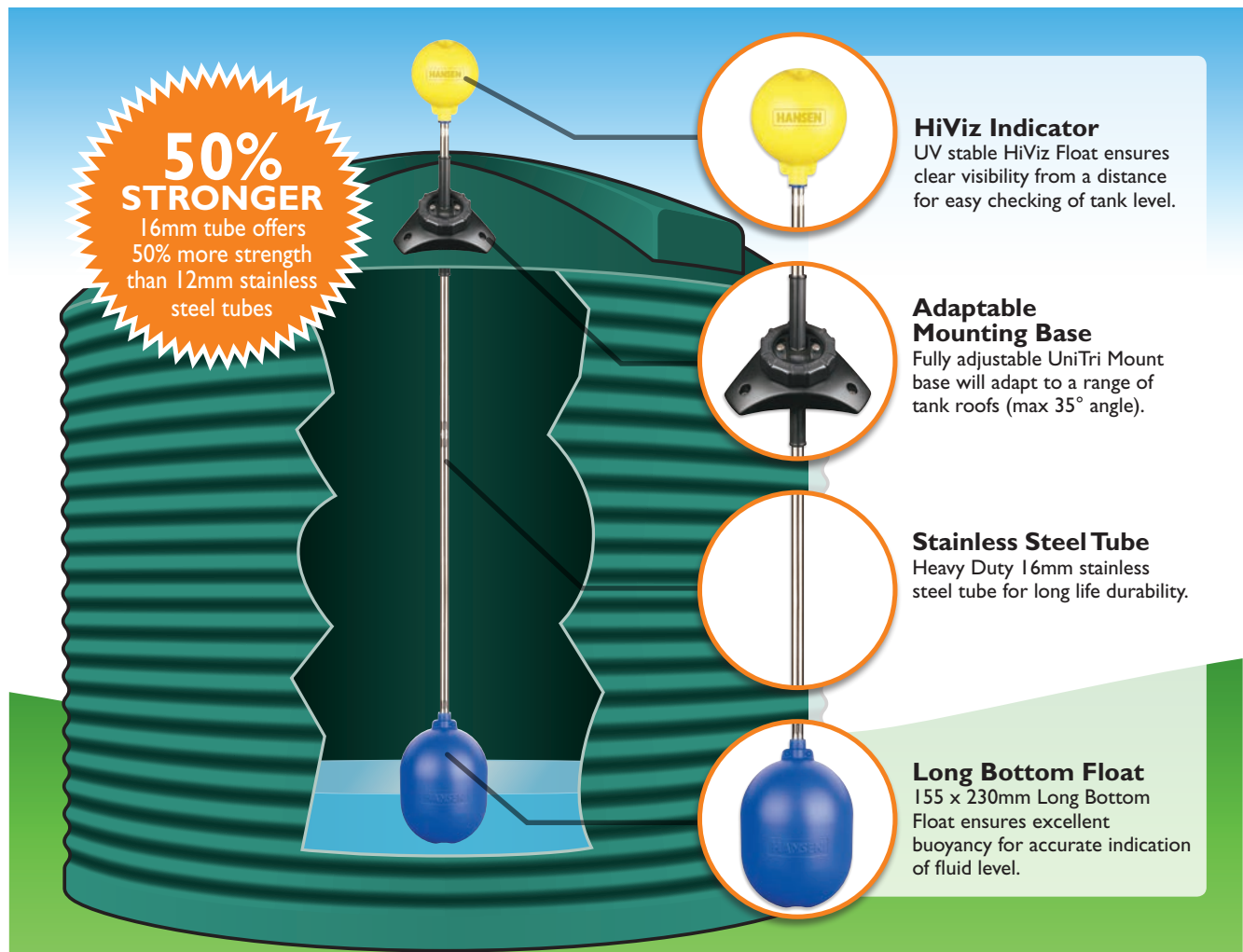
**A** Hansen have tested all its products for use with cold water up to a maximum temperature of 60°C (140°F). We do not recommend the use of these products with temperatures higher than 60°C (140°F) as plastic expands due to higher temperature increases. Hansen cannot guarantee the products will perform when used with temperatures over 60°C (140°F). Hansen Products that have failed in temperatures higher than 60°C (140°F) will not be covered by the Hansen Warranty.

## Level Alert TECHNICAL INFORMATION


### Features and Benefits

- ✓ Monitor Water Levels
  - ✓ Prevent Pump Burnout caused by Dry Tank Syndrome
  - ✓ See at a glance your tank water level
  - ✓ Suitable for any type or size tank
  - ✓ Essential part of your water management
- Fully Adjustable UniTri mounting base.
  - UniTri mount will adapt to a range of tank roof angles (max 35° angle).
  - Suitable for plastic, concrete and steel tanks.
  - Manufactured from UV resistant durable, glass fibre reinforced nylon with stainless steel tubes (16mm diameter) and stainless steel fastenings.
  - Complete with all mounting fastenings for all applications.
  - Optional stainless steel extension tubes available (669mm).
  - Supplied with 3 lengths of 669mm heavy duty stainless steel tube (16mm diameter), stainless steel fastings, 115mm threaded hiviz float, 230mm long threaded blue float, unitri mounting base.

TANK










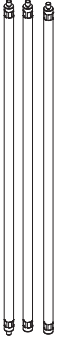


## TECHNICAL INFORMATION *Level Alert*

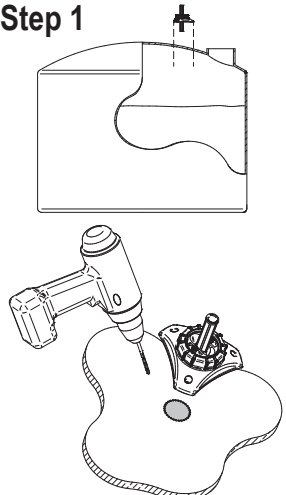


### Installation Instructions

**Each pack includes:**

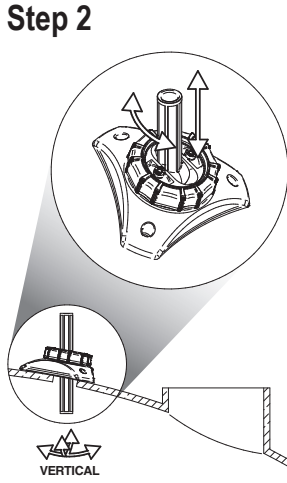
-  Assembled UniTri Mount
-  115mm HiViz Threaded Float
-  230mm Blue Threaded Float
-  3 x Plastic Wing Nuts for Plastic Tanks
-  3 x Plastic Plugs for Concrete Tanks
-  3 x UniTri Mount Screws
-  2 x Security Lock Screws
-  7mm Masonry drill bit for Concrete Tanks
-  4mm drill bit for Plastic Tanks
-  1 x 669mm Male/Male Stainless Steel Tube & 2 x 669mm Male/Female Stainless Steel Tubes

### Step 1



Choose a mounting position close to an inspection cover/hatch. Mark then drill a hole or series of holes larger than the Guide Tube (refer to Step 3 for correct drill selection).

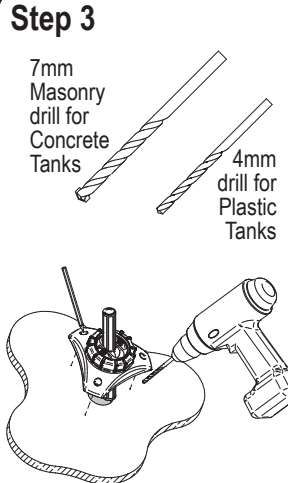
### Step 2



Place the assembled UniTri Mount in the hole, loosen the Cap Nut, lift and rotate the Guide Tube to achieve vertical position then lightly tighten the Cap Nut.

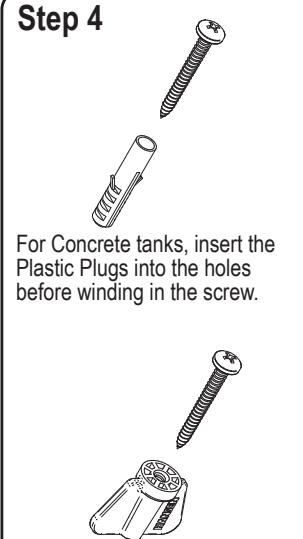
VERTICAL

### Step 3



Select the correct drill for either a plastic or concrete tank. Using the UniTri Mount as a template mark and then drill three holes in the tank to match the UniTri Mount.

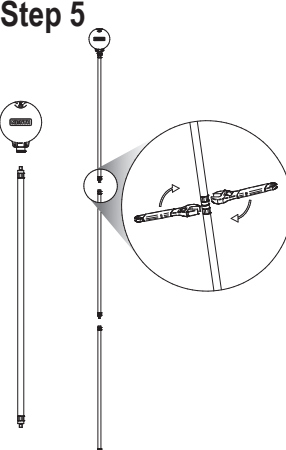
### Step 4



For Concrete tanks, insert the Plastic Plugs into the holes before winding in the screw.


For Plastic tanks, hold the Wing Nut in place inside the tank while winding in the screw from the outside.

### Step 5



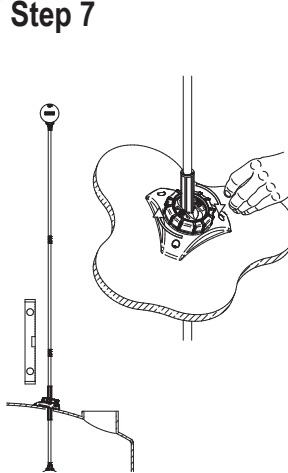
Screw the HiViz Float on one end of the Male/Male threaded Stainless Steel Tube. Screw additional Stainless Steel Tubes as required onto the first Tube then tighten all Tube joints with a suitable spanner.

### Step 6



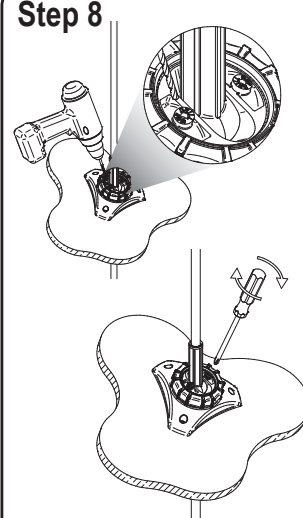
Slide the Stainless Steel Tube assembly through the mounted Guide Tube, reach inside the tank and attach the Blue Float to the other end of the Stainless Steel Tube.

### Step 7



With a Spirit Level ensure the Stainless Steel Tube is plumb/vertical then firmly hand tighten Cap Nut.

### Step 8



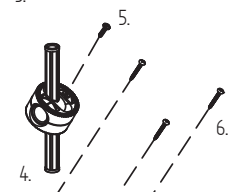
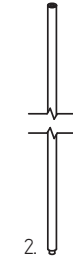
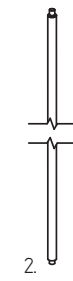
Drill a 4mm hole in each of the security housing locations, insert the security screws and tighten.

TANK

**Level Alert** TECHNICAL INFORMATION

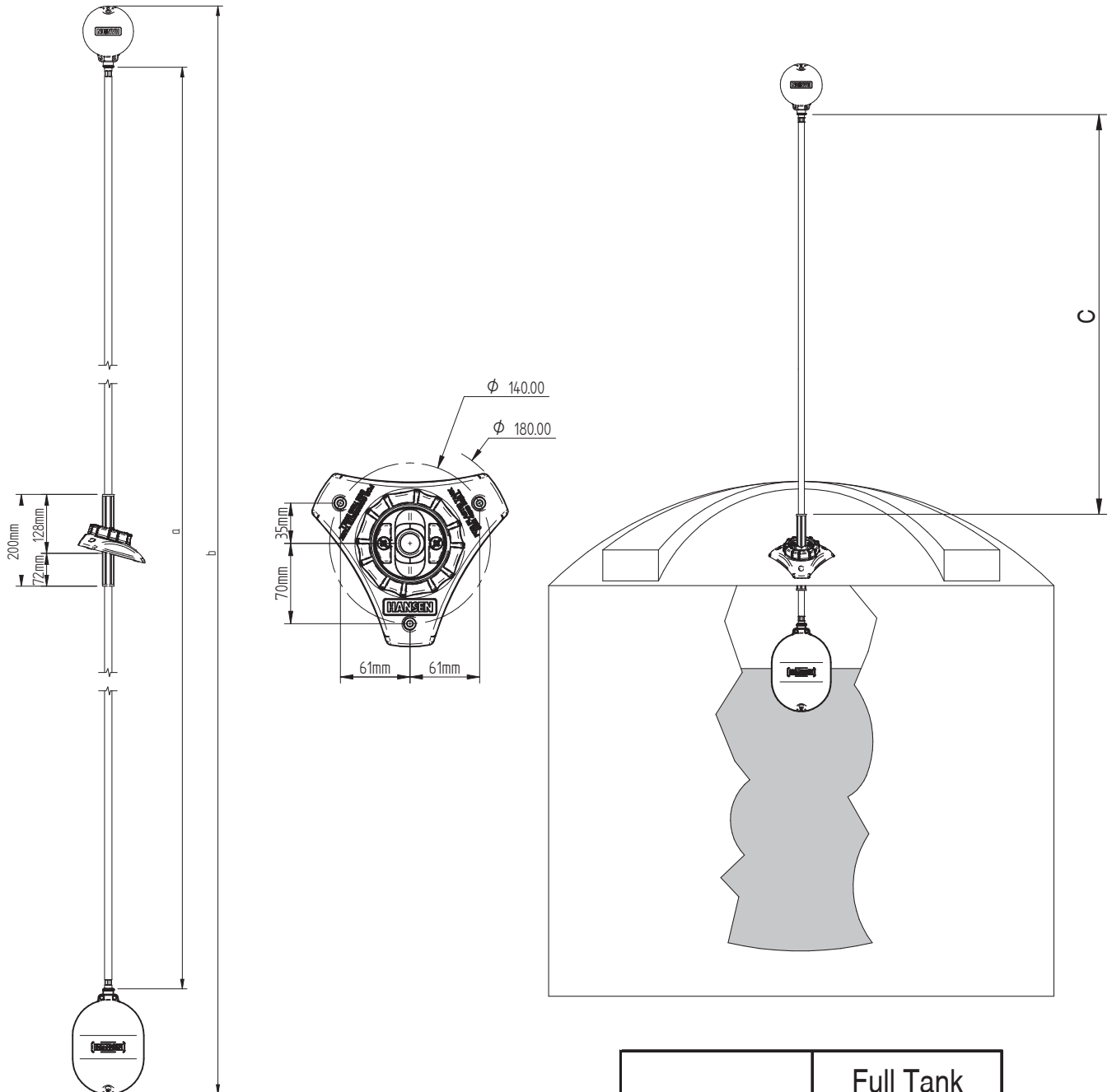
## Level Alert Parts List

Level Alert Parts List			
No.	Product Code	Item Name	Qty
1	HFLOAT115HI	115mm HiViz Threaded Float	1
2	HLASSTUBE	669mm Stainless Steel Tube (16mm Diameter)	3
3	HLANUTB	Black Cap Nut	1
4	HLAGUIDE	Guide Tube Assembly	1
5	HLALSCREW	Security Lock Screw	1
6	HLAMSCREW	UniTri Mount Screw s	3
7	HLAUNIMOUNT	UniTri Mount	1
8a	HLAPLUGS	Wall Plugs	3
8b	HLANUTS	Plastic Wing Nuts	3
9	HFLOAT230L	155mm x 230mm Long Float Blue	1



TANK

## Level Alert Dimensions



No. Of Tubes	Tube Length (a) mm	Overall Length Including Floats (b) mm
1	669	1034
2	1338	1703
3	2000	2365

No. Of Tubes	Full Tank Visible Level (c) mm
1	469
2	1138
3	1800

Specifications and sizes may change without prior notice

**Level Alert** TECHNICAL INFORMATION

*Level Alert*  
**Chemical Resistance Chart**

TANK

CHEMICAL TYPE	RESISTANCE LEVEL		
	Good	OK But Check Further	BAD Try to Avoid
Drinking Water	X		
Sea Water	X		
Bloat Remedies Diluted		X	
CHEMICAL TYPE	RESISTANCE LEVEL		
Acids Weak			X
Acids Strong			X
Organic Acids Weak		X	
Organic Acids Strong			X
Bases Weak	X		
Bases Strong			X
Bleach			X
CHEMICAL TYPE	RESISTANCE LEVEL		
Automotive Fuel			X
Automotive Lubricants			X
Hydraulic Fluids			X
CHEMICAL TYPE	RESISTANCE LEVEL		
Solvents			X
Hydrocarbons			X
Halogens			X
Alcohols			X
Aldehydes			X
Amines			X
Esters			X
Ethers			X
Ketones			X
CHEMICAL TYPE	RESISTANCE LEVEL		
Detergents	X		
Oxidising Agents			X
Weak Hydrogen Peroxide			X
Ozone			X
Phenols			X
CHEMICAL TYPE	RESISTANCE LEVEL		
Calcium Chloride			X

PLEASE NOTE: This chart is intended as a basic guide only. The resistance to a given chemical will vary with temperature & concentrations. Some chemicals within the group mentioned may result in different rating. For further information, please email us with your specific question.



## *Level Alert* Frequently asked Questions

- Q My existing tank level indicator will stick in a position after windy days and I've had to replace it a number of times. Will the Hansen *Level Alert* reduce this problem?**
- A** Yes, we have covered this issue in two ways, firstly by incorporating a HiViz UV stabilised low wind resistant float and secondly our glass fibre reinforced nylon guide tube and larger diameter stainless steel tube (16mm diameter) reduces the chances of it bending reducing this problem.
- Q My tank has a very steep roof angle and I cannot find a level indicator that will attach vertically, will the Hansen *Level Alert* fit my tank?**
- A** Yes, our fully adjustable UniTri mounting base will adapt to most tank roof angles, the adjustment is a full 35 degrees each way, so once installed you never need to readjust.
- Q I have a number of steel, plastic and concrete tanks on my property, will the Hansen *Level Alert* mount on all three types?**
- A** Yes, the Hansen *Level Alert* comes with stainless steel fasteners for installation on steel, plastic and concrete tanks.
- Q I have a number of ropes and pulleys, shafts and mounts lying around that have cost me money over the years, why would I purchase another product when I'm resigned to spending time climbing a ladder?**
- A** Great question, because Hansen understands the value of your time and with the Hansen *Level Alert* there are no ropes and pulleys, tubes or smoke and mirrors, only the time tested strength of glass fibre reinforced nylon and the proven ability of Hansen's innovative simple effective design. If you already use any of our product range you can answer the question yourself, if it can't be done we don't do it, if it can be done we do it simply but effectively.



*Hansen Maxflo Valve (HMFDV) in use*



*Hansen Fastflo Valve (HFFSV) in use*

# HiFlo Valves

# HANSEN™

Best Installed Value

## Mini Fast-Flo & Fast-Flo Compact Trough / Tank Valves

The Hansen Mini Fast-Flo and Fast-Flo valve are ideally suited to tight fitting environments that demand a more compact sized valve with responsive on/off capabilities, exceptional flow rates and adaptability. The Fast-Flo allows a hose attachment to both diffuse and help eliminate noise from the outlet flow and has a tough, reversible urethane seat which effectively doubles the life of the valve providing a 'best of class' valve that's reliable for the long term.



**HAND TESTED** HANSEN Fast-Flo Valves are rigorously hand tested.

## Super-Flo Piston Trough Valve

Hansen Super-Flo Piston Valves have been designed with multiple thread and connection combinations. To increase overall durability and versatility, the "Slipper Fit Piston" design reduces sticking and increases efficiency. Less operating pressure is required, reducing pumping costs with increased flows. Mini body design allows for easy installation across a wide range of applications and the ability to operate in clean or dirty water applications.



**HAND TESTED** HANSEN Super-Flo Valves are rigorously hand tested using water.

## Leveller Reservoir/Tank Valve

The Hansen Leveller Valve has been designed for tank installations where a level differential is required to stop pumps and water systems cycling (continually switching on and off). The new design features a float and weighted ball that enables the user to set the valve to open at the minimum fluid level and close at the maximum fluid level. The Leveller Valve features the Hansen diaphragm configuration with "Self Cleaning Pilot" which has been designed for soft open and close thus reducing water hammer and increasing pump and water systems life expectancy. The Leveller Valve has been designed to operate reliably in high and low pressures (0.2 bar - 12 bar) and in clean and dirty fluid conditions.



**HAND TESTED** HANSEN Leveller Valve are rigorously hand tested using water.

## Max-Flo Diaphragm Trough / Tank Valve

The Hansen Max-Flo Diaphragm Valve has been designed with multiple thread and connection combinations to increase overall durability and versatility. The patent pending "Self Cleaning Pilot" ensures the valves are durable and suitable for dirty water applications. Less operating pressure is required, reducing pumping costs and increasing flow. Mini body design allows for easy installation across a wide range of applications and our 30 year time tested performance slow open and close diaphragm ensures no undue stress is placed on pump lines or pumps.



**HAND TESTED** HANSEN Max-Flo Valves are rigorously hand tested using water.

With over 60 years experience in manufacturing, Hansen Products knows the importance that pipe fittings & valves play in the performance and control of fluid delivery, flow and pressure within a pipe system. This has seen Hansen Products build a reputation for providing high performance, easy to use, innovative, simple products that provide our customers with "Best Installed Value". All Hansen products carry our Hansen Warranty.\*

\*For more information on our warranty please go to Legal section.

# HiFlo Valves

# HANSEN™

Best Installed Value

## Full-Flow Ball Valve

Hansen manufactures a range of Full Flow Ball Valves that have been designed to be used anywhere the flow of fluid needs to be stopped or started. The Hansen Full Flow Ball Valves are strong, lightweight, compact and provide smooth unrestricted leak free on/off control. The entire Ball Valve range is available in BSP, NPT and ACME thread configurations.



Hansen Ball Valves are Frost Friendly and have been tested in frost conditions. Results may vary in freezing conditions.

## Full-Flow Male / Female Ball Valve

Hansen manufactures a range of Full Flow Ball Valves that have been designed to be used anywhere the flow of fluid needs to be stopped or started. The Hansen Full Flow Ball Valves are strong, lightweight, compact and provide smooth unrestricted leak free on/off control.

Available in Male / Female or Female thread options.



Hansen Ball Valves are Frost Friendly and have been tested in frost conditions. Results may vary in freezing conditions.

## Check Valve

Hansen Check Valves are used in-line as a non-return valve to stop fluids from flowing back through your system. The unique design gives you exceptional flow rates, which means you can move more water in less time saving on pumping costs. The screw cap allows for easy access for in-line servicing, there is no poppet valve to wear or jam and the diaphragm and spring are interchangeable and replaceable with the same size Foot Valve.

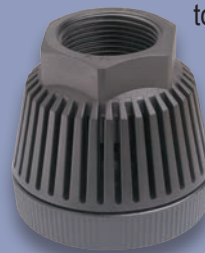


**HAND TESTED**

**HANSEN** Check Valves are rigorously hand tested.

## Foot Valve

Hansen Foot Valves are used on the end of a suction line to stop fluids in the line emptying when the pump is turned off, thus eliminating the need to prime your pump at start up. The unique design gives you more flow in less time, which saves on pumping costs. It has unrestricted Full Flow and has an efficiency in excess of 95% of many other types of Foot Valves. The unique product design incorporates a built in strainer and operates at any angle or position.



**HAND TESTED**

**HANSEN** Foot Valves are rigorously hand tested.

## Rapid-Flo Rain Relief Valve

The Hansen High Performance Rain Relief Valve enables you to supplement your rainwater tank during dry weather spells. If the tank's rain water level drops below minimum, the Rapid Flo valve opens at an unrestricted rate to supplement the tank's water from an alternative source such as the mains water supply.



## Slo-Flo Rain Relief Valve

The Hansen High Performance Rain Relief Valve enables you to supplement your rainwater tank during dry weather spells. If the tank's rain water level drops below minimum, the Slo Flo valve opens at a restricted rate of 2 litres per minutes to supplement the tank's water from an alternative source such as the mains water supply.



With over 60 years experience in manufacturing, Hansen Products knows the importance that pipe fittings & valves play in the performance and control of fluid delivery, flow and pressure within a pipe system. This has seen Hansen Products build a reputation for providing high performance, easy to use, innovative, simple products that provide our customers with "Best Installed Value". All Hansen products carry our Hansen Warranty.\*

\*For more information on our warranty please go to Legal section

## Check Valves

## HiFlo Valves

**Check Valve** *Hansen Check Valves are used in-line as a non-return valve to stop fluids from flowing back through your system.*



Code	Metric	Imperial	Pack Size	RRP
HCV25	25mm	1"	EA	\$57.09
HCV32	32mm	1 1/4"	EA	\$85.58
HCV40	40mm	1 1/2"	EA	\$108.79
HCV50	50mm	2"	EA	\$140.80
HCV63	63mm	2 1/2"	EA	\$221.10

## Foot Valves

**Foot Valve** *Hansen Foot Valves are used on the end of a suction line to stop fluids in the line emptying when the pump is turned off, thus eliminating the need to prime your pump at start up.*



Code	Metric	Imperial	Pack Size	RRP
HFV25	25mm	1"	EA	\$65.89
HFV32	32mm	1 1/4"	EA	\$85.58
HFV40	40mm	1 1/2"	EA	\$108.79
HFV50	50mm	2"	EA	\$140.80
HFV63	63mm	2 1/2"	EA	\$221.10

*Replacement part for Foot & Check Valves.*

### Diaphragm and Spring



Code	Metric	Imperial	Pack Size	RRP
HVD25*	25mm	1"	EA	\$32.12
HVD32	32mm	1 1/4"	EA	\$45.65
HVD40	40mm	1 1/2"	EA	\$55.66
HVD50	50mm	2"	EA	\$74.25
HVD63	63mm	2 1/2"	EA	\$92.73

*\*Non stock item, available on request*

**Foot Valve Sock** *Filter Sock for the Foot Valve to help filter and stop particles entering the Valve.*



Code	Description	Pack Size	RRP
HFVFS	Foot Valve Sock - to fit FV25-40mm	EA	\$57.80
HFVFSL	Foot Valve Sock - to fit FV50-63mm	EA	\$57.80

The Check Valve and Foot Valve in this catalogue are protected by intellectual property rights owned by the Hansen group of companies in New Zealand. For more information refer to the legal information section.

Prices are in AUD and are inclusive of 10% GST. Recommended Retail Prices are indicative and Actual Retail Prices may vary between retailers.

## Full Flow Ball Valves



Hansen Full Flow Ball Valves are individually hand tested using both Air and Water



Hansen Ball Valves are Frost Friendly and have been tested in frost conditions. Results may vary in freezing conditions.

### Blue Handle Ball Valve for General Applications

BSPT



Hansen Full Flow Ball Valves can be used anywhere the flow of fluid needs to be stopped or started. The entire Ball Valve range is available in BSPT and NPT threads.

Code	Metric	Imperial	Pack Size	RRP
HBV15	15mm	1/2"	EA	\$54.56
HBV20	20mm	3/4"	EA	\$54.56
HBV25	25mm	1"	EA	\$68.20
HBV32	32mm	1 1/4"	EA	\$90.09
HBV40	40mm	1 1/2"	EA	\$108.46
HBV50	50mm	2"	EA	\$136.40
HBV15NPT*	15mm	1/2"	EA	\$54.56
HBV20NPT*	20mm	3/4"	EA	\$54.56
HBV25NPT*	25mm	1"	EA	\$68.20
HBV32NPT*	32mm	1 1/4"	EA	\$90.09
HBV40NPT*	40mm	1 1/2"	EA	\$108.46
HBV50NPT*	50mm	2"	EA	\$136.40

\*Non stock item, available on request

### Lilac Handle Ball Valve for Grey Water Applications

BSPT



Code	Metric	Imperial	Pack Size	RRP
HBVL15	15mm	1/2"	EA	\$54.56
HBVL20	20mm	3/4"	EA	\$54.56
HBVL25	25mm	1"	EA	\$68.20
HBVL32	32mm	1 1/4"	EA	\$90.09
HBVL40	40mm	1 1/2"	EA	\$108.46
HBVL50	50mm	2"	EA	\$136.40
HBVL15NPT*	15mm	1/2"	EA	\$54.56
HBVL20NPT*	20mm	3/4"	EA	\$54.56
HBVL25NPT*	25mm	1"	EA	\$68.20
HBVL32NPT*	32mm	1 1/4"	EA	\$90.09
HBVL40NPT*	40mm	1 1/2"	EA	\$108.46
HBVL50NPT*	50mm	2"	EA	\$136.40

\*Non stock item, available on request

### Blue Handle Male/Female Threaded Ball Valve

BSPT



Code	Metric	Imperial	Pack Size	RRP
HBV25MF	25mm	1"	EA	\$69.85
HBV32MF	32mm	1 1/4"	EA	\$92.40
HBV40MF	40mm	1 1/2"	EA	\$111.10
HBV50MF	50mm	2"	EA	\$143.00

The Ball Valves in this catalogue are protected by intellectual property rights owned by the Hansen group of companies in New Zealand. For more information refer to the legal information section.

Prices are in AUD and are inclusive of 10% GST. Recommended Retail Prices are indicative and Actual Retail Prices may vary between retailers.

## Full Flow Ball Valves

An accessory Handle for the Ball Valve range.

### Blue Handle for General Applications



Code	Metric	Imperial	Pack Size	RRP
HBVHB15/20	15/20mm	1/2" - 3/4"	EA	\$20.96
HBVHB25	25mm	1"	EA	\$20.96
HBVHB32	32mm	1 1/4"	EA	\$21.56
HBVHB40	40mm	1 1/2"	EA	\$21.56
HBVHB50	50mm	2"	EA	\$21.56

### Lilac Handle for Grey Water Applications



Code	Metric	Imperial	Pack Size	RRP
HBVHL15/20	15/20mm	1/2" - 3/4"	EA	\$20.96
HBVHL25	25mm	1"	EA	\$20.96
HBVHL32	32mm	1 1/4"	EA	\$21.56
HBVHL40	40mm	1 1/2"	EA	\$21.56
HBVHL50	50mm	2"	EA	\$21.56

### Green Handle for increased visibility and to differentiate



Code	Metric	Imperial	Pack Size	RRP
HBVHG15/20*	15/20mm	1/2" - 3/4"	EA	\$20.96
HBVHG25*	25mm	1"	EA	\$20.96
HBVHG32*	32mm	1 1/4"	EA	\$21.56
HBVHG40*	40mm	1 1/2"	EA	\$21.56
HBVHG50*	50mm	2"	EA	\$21.56

**OTHER COLOURED BALL VALVE HANDLES AVAILABLE ON REQUEST.**

*\*Non stock item, available on request.*



## Compact Trough/Tank Valve



Hansen *Mini Fast-Flo* Valves feature a patent pending Hansen Ezi Clamp arm making level adjustment a breeze

*Ideally suited to tight fitting environments such as small bowls, feeders, portable troughs and header tanks that demand a more compact sized valve. With responsive on/off capabilities, the Mini Fast-Flo valve is built to the same quality and precision specifications as the Hansen range of valves that precede it. The barbed outlet allows for a hose attachment to both diffuse and help eliminate noise from the outlet flow. A tough, reversible urethane seat effectively doubles the life of the valve providing a 'best of class' valve that's reliable for the long term.*

MINI FASTFLO

VALVES

	Code	Pack Size	RRP
	<b>HMFFSV15LS</b> <b>Mini Fastflo Short Arm with 15mm Long Tail Adaptor</b> Supplied with: Complete Plastic Valve Body, Arm, Float & 15mm Long Tail Adaptor	EA	\$46.86
	<b>HMFFSV20LS</b> <b>Mini Fastflo Short Arm with 20mm Long Tail Adaptor</b> Supplied with: Complete Plastic Valve Body, Arm & Float & 20mm Long Tail Adaptor	EA	\$46.86
	<b>HMFFSV25LS</b> <b>Mini Fastflo Short Arm with 25mm Long Tail Adaptor</b> Supplied with: Complete Plastic Valve Body, Arm, Float & 25mm Long Tail Adaptor	EA	\$46.86


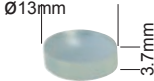





The Mini Fast-Flo Valves in this catalogue are protected by intellectual property rights owned by the Hansen group of companies in New Zealand. For more information refer to the legal information section.

Prices are in AUD and are inclusive of 10% GST. Recommended Retail Prices are indicative and Actual Retail Prices may vary between retailers.





## Components of the *Mini Fast-Flo* Valve

	Code	Description	Pack Size	RRP
	HMFFBODY	Mini Fast-Flo 25mm Female BSPT Body	EA	\$16.71
	HFFPLUNGER	Sleeve Valve Plunger	EA	\$3.93
	HMFFCAP	Mini Fast-Flo Body Cap	EA	\$3.38
	HFFSEAL	Sleeve Valve Plunger Seal	EA	\$2.56
	HMFFARM	Mini Fast-Flo Arm	EA	\$3.59
	HMFFCLAMP	Mini Fast-Flo Clamp	EA	\$2.82
	HMFFFLOAT	Mini Fast-Flo Float	EA	\$10.04
	HMFFSCREW	2 x 20mm Stainless Steel Screws	EA	\$1.90
	HMFFPIN25	25mm Stainless Steel Split Pin	10	\$18.21
<b>Accessories</b>				
Long Tail Adaptor with O-Ring Seal				
	HMAL15	25mm BSPT to 15mm BSPT	EA	\$17.77
	HMAL20	25mm BSPT to 20mm BSPT	EA	\$17.77
	HMAL25	25mm BSPT to 25mm BSPT	EA	\$17.77
	HMAL32	25mm BSPT to 32mm BSPT	EA	\$19.69
	HMAL40	25mm BSPT to 40mm BSPT	EA	\$20.62
	HMAL50	25mm BSPT to 50mm BSPT	EA	\$24.07
	Standard Adaptor with O-Ring Seal			
	HMA15	25mm BSPT to 15mm BSPT	EA	\$6.71
	HMA20	25mm BSPT to 20mm BSPT	EA	\$6.71
	HMA25	25mm BSPT to 25mm BSPT	EA	\$6.71
	HMA32	25mm BSPT to 32mm BSPT	EA	\$6.71
	HMA40	25mm BSPT to 40mm BSPT	EA	\$14.13
	HMA50	25mm BSPT to 50mm BSPT	EA	\$14.12

Prices are in AUD and are inclusive of 10% GST. Recommended Retail Prices are indicative and Actual Retail Prices may vary between retailers.

## Fast-Flo

### Compact Trough/Tank Valve



Hansen *Fast-Flo* Valves feature a patented Hansen Ezi Bend brass arm making level adjustment a breeze

Adding to the Hansen HiFlo family of valves comes the much anticipated release of the Hansen Fast-Flo valve. Ideally suited to tight fitting environments that demand a more compact sized valve with responsive on/off capabilities, the Fast-Flo valve brings with it exceptional flow rates and adaptability. Built to the same quality and precision specifications as the Hansen range of valves that precede it. The barbed outlet allows for a hose attachment to both diffuse and help eliminate noise from the outlet flow. A tough, reversible urethane seat effectively doubles the life of the valve providing a 'best of class' valve that's reliable for the long term.

	Code	Description	Pack Size	RRP
	HFFSV15LS	<b>Fastflo Short Brass Arm with 15mm Long Tail Adaptor</b> Supplied with: Complete Plastic Valve Body, Short Brass Arm & 15mm Long Tail Adaptor	EA	\$44.11
	HFFSV20LS	<b>Fastflo Short Brass Arm with 20mm Long Tail Adaptor</b> Supplied with: Complete Plastic Valve Body, Short Brass Arm & 20mm Long Tail Adaptor	EA	\$44.11
	HFFSV25LS	<b>Fastflo Short Brass Arm with 25mm Long Tail Adaptor</b> Supplied with: Complete Plastic Valve Body, Short Brass Arm & 25mm Long Tail Adaptor	EA	\$44.11
	HFFSV15L	<b>Fastflo Long Brass Arm with 15mm Long Tail Adaptor</b> Supplied with: Complete Plastic Valve Body, Long Brass Arm, 5mm Long Tail Adaptor and 650mm Cord and Nuts	EA	\$49.72
	HFFSV20L	<b>Fastflo Long Brass Arm with 20mm Long Tail Adaptor</b> Supplied with: Complete Plastic Valve Body, Long Brass Arm, 20mm Long Tail Adaptor and 650mm Cord and Nuts	EA	\$49.72
	HFFSV25L	<b>Fastflo Long Brass Arm with 25mm Long Tail Adaptor</b> Supplied with: Complete Plastic Valve Body, Long Brass Arm, 25mm Long Tail Adaptor and 650mm Cord and Nuts	EA	\$49.72
	HFFSV2520S	<b>Fastflo Long Brass Arm with 20mm &amp; 25mm Standard Adaptors</b> Supplied with: Complete Plastic Valve Body, Long Brass Arm, 20mm & 25mm Standard Adaptors and 650mm Cord & Nuts	EA	\$49.94
	HFFSV15RLS*	<b>Fastflo Short Ratchet Brass Arm with 15mm Long Tail Adaptor</b> Supplied with: Complete Plastic Valve Body, Short Ratchet Brass Arm & 15mm Long Tail Adaptor	EA	POA
	HFFSV20RLS*	<b>Fastflo Short Ratchet Brass Arm with 20mm Long Tail Adaptor</b> Supplied with: Complete Plastic Valve Body, Short Ratchet Brass Arm & 20mm Long Tail Adaptor	EA	POA
	HFFSV25RLS*	<b>Fastflo Short Ratchet Brass Arm with 25mm Long Tail Adaptor</b> Supplied with: Complete Plastic Valve Body, Short Ratchet Brass Arm & 25mm Long Tail Adaptor	EA	POA

**\*NEW PRODUCT**

The Fast-Flo Valves in this catalogue are protected by intellectual property rights owned by the Hansen group of companies in New Zealand. For more information refer to the legal information section.

Prices are in AUD and are inclusive of 10% GST. Recommended Retail Prices are indicative and Actual Retail Prices may vary between retailers.

*Fast-Flo*







## Components of the *Fast-Flo* Valve

	Code	Description	Pack Size	RRP
	HFFBODY	25mm Female BSPT Valve Body	EA	\$10.56
	HFFPLUNGER	Sleeve Valve Plunger	EA	\$3.93
	HFFCAP	Valve Body Cap	EA	\$2.56
	HFFSEAL	Sleeve Valve Plunger Seal	EA	\$2.56
	HFFARM	Long Brass Arm 209mm long	EA	\$18.46
	HFFARMS	Short Brass Arm 129mm long	EA	\$14.44
	HFFRARMS	Short Brass Ratchet Arm 129mm long	EA	POA
	HSFPIN20	20mm Stainless Steel Split Pin	10	\$14.58
	HCORD (for Long Brass Arm Valve only)	700mm Cord and Nuts (for Long Brass Arm Valve only)	EA	\$6.00
	HFLOAT115B	115mm Threaded Float Blue	EA	\$11.39
	HFLOAT115HI	115mm Threaded Float HiViz	EA	\$13.42
	HFLOAT115P	115mm Threaded Float Pink	EA	\$13.42
	HFLOAT140B	140mm Threaded Float Blue	EA	\$13.64
	HFLOAT140HI	140mm Threaded Float HiViz	EA	\$15.90
	HFLOAT140P	140mm Threaded Float Pink	EA	\$15.90
	HFLOAT140PURP*	140mm Threaded Float Purple	EA	POA
	HFLOAT140R*	140mm Threaded Float Red	EA	POA
<i>*Non stock item, available on request</i>				
<b>Accessories</b>				
Long Tail Adaptor with O-Ring Seal				
	HMAL15	25mm BSPT to 15mm BSPT	EA	\$17.77
	HMAL20	25mm BSPT to 20mm BSPT	EA	\$17.77
	HMAL25	25mm BSPT to 25mm BSPT	EA	\$17.77
	HMAL32	25mm BSPT to 32mm BSPT	EA	\$19.69
	HMAL40	25mm BSPT to 40mm BSPT	EA	\$20.62
	HMAL50	25mm BSPT to 50mm BSPT	EA	\$24.07
Standard Adaptor with O-Ring Seal				
	HMA15	25mm BSPT to 15mm BSPT	EA	\$6.71
	HMA20	25mm BSPT to 20mm BSPT	EA	\$6.71
	HMA25	25mm BSPT to 25mm BSPT	EA	\$6.71
	HMA32	25mm BSPT to 32mm BSPT	EA	\$6.71
	HMA40	25mm BSPT to 40mm BSPT	EA	\$14.13
	HMA50	25mm BSPT to 50mm BSPT	EA	\$14.12

Prices are in AUD and are inclusive of 10% GST. Recommended Retail Prices are indicative and Actual Retail Prices may vary between retailers.

## Super~Flo Trough Valve

The Hansen Super~Flo Piston Valve has been designed with multiple thread and connection combinations. To increase overall durability and versatility, the "Slipper Fit Piston" design reduces sticking and increases efficiency. Less operating pressure is required which reduces pumping cost and increases flow. Mini body design allows for easy installation across a wide range of applications and the ability to operate in clean or dirty water applications.

	Code	Description	Pack Size	RRP
	<b>HSFPV2520</b>	<b>Superflo 25/20</b> Supplied with: Complete Plastic Valve Body, 15, 20 & 25mm Standard Adaptors, Brass Arm, 700mm Cord and Nuts	EA	\$60.06
	<b>HSFPV2520L</b>	<b>Superflo 25/20 Long</b> Supplied with: Complete Plastic Valve Body, 20 & 25mm Long Tail Adaptors, Brass Arm, 700mm Cord and Nuts	EA	\$69.08
	<b>HSFPV2015L</b>	<b>Superflo 20/15 Long</b> Supplied with: Complete Plastic Valve Body, 15 & 20mm Long Tail Adaptors, Brass Arm, 700mm Cord and Nuts	EA	\$69.08
	<b>HSFPV2520S</b>	<b>Superflo 25/20 Short Arm</b> Supplied with: Complete Plastic Valve Body, 15, 20 & 25mm Standard Adaptors and Short Brass Arm	EA	\$60.06
	<b>HSFPV2520LS</b>	<b>Superflo 25/20 Long/Short Arm</b> Supplied with: Complete Plastic Valve Body, 20 & 25mm Long Tail Adaptors and Short Brass Arm	EA	\$66.22
	<b>HSFPV2015LS</b>	<b>Superflo 20/15 Long/Short Arm</b> Supplied with: Complete Plastic Valve Body, 15 & 20mm Long Tail Adaptors and Short Brass Arm	EA	\$66.22

The Super-Flo Valves in this catalogue are protected by intellectual property rights owned by the Hansen group of companies in New Zealand. For more information refer to the legal information section.

Prices are in AUD and are inclusive of 10% GST. Recommended Retail Prices are indicative and Actual Retail Prices may vary between retailers.

*Super-Flo*

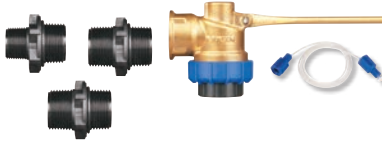
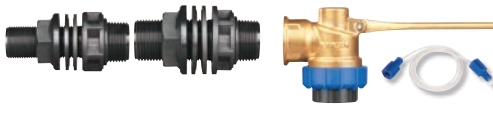
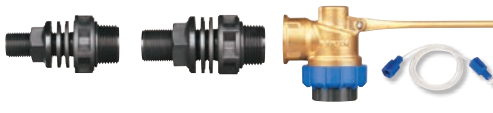

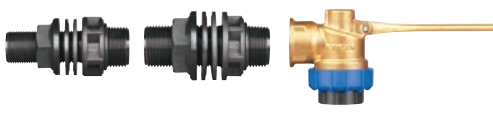
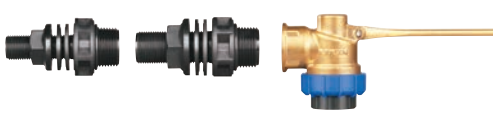
## Components of the *Super-Flo* Trough Valve

	Code	Description	Pack Size	RRP
	HSFBODY	25mm Female BSPT Piston Valve Body	EA	\$13.04
	HSFPISTON	Slipper Fit Piston with O Ring	EA	\$10.45
	HSFCAPF	Superflo Female Body Cap Nut	EA	\$10.47
	HSFCAP	Valve Body Cap Nut	EA	\$6.49
	HSFSEAL	Valve Body Washer Seal	EA	\$3.42
	HSFARM	Long Brass Arm 330mm long	EA	\$20.79
	HSFARMS	Short Brass Arm 202mm long	EA	\$20.74
	HSFPIN20	20mm Stainless Steel Split Pin	10	\$14.58
	HFLOAT115B	115mm Threaded Float Blue	EA	\$11.39
	HFLOAT115HI	115mm Threaded Float HiViz	EA	\$13.42
	HFLOAT115P	115mm Threaded Float Pink	EA	\$13.42
	HFLOAT140B	140mm Threaded Float Blue	EA	\$13.64
	HFLOAT140HI	140mm Threaded Float HiViz	EA	\$15.90
	HFLOAT140P	140mm Threaded Float Pink	EA	\$15.90
	HFLOAT140PURP*	140mm Threaded Float Purple	EA	POA
	HFLOAT140R*	140mm Threaded Float Red	EA	POA
<i>*Non stock item, available on request</i>				
	HCORD	700mm Cord and Nuts	EA	\$6.00
	HSFORING	Piston O-Ring	10	\$14.19
<b>Accessories</b>				
Long Tail Adaptor with O-Ring Seal				
	HMAL15	25mm BSPT to 15mm BSPT	EA	\$17.77
	HMAL20	25mm BSPT to 20mm BSPT	EA	\$17.77
	HMAL25	25mm BSPT to 25mm BSPT	EA	\$17.77
	HMAL32	25mm BSPT to 32mm BSPT	EA	\$19.69
	HMAL40	25mm BSPT to 40mm BSPT	EA	\$20.62
	HMAL50	25mm BSPT to 50mm BSPT	EA	\$24.07
Standard Adaptor with O-Ring Seal				
	HMA15	25mm BSPT to 15mm BSPT	EA	\$6.71
	HMA20	25mm BSPT to 20mm BSPT	EA	\$6.71
	HMA25	25mm BSPT to 25mm BSPT	EA	\$6.71
	HMA32	25mm BSPT to 32mm BSPT	EA	\$6.71
	HMA40	25mm BSPT to 40mm BSPT	EA	\$14.13
	HMA50	25mm BSPT to 50mm BSPT	EA	\$14.12

Prices are in AUD and are inclusive of 10% GST. Recommended Retail Prices are indicative and Actual Retail Prices may vary between retailers.

## Super~Flo Trough Valve

The Hansen Super~Flo Brass Piston Valve has been designed with multiple thread and connection combinations. To increase overall durability and versatility, the "Slipper Fit Piston" design reduces sticking and increases efficiency. Less operating pressure is required which reduces pumping cost and increases flow. Mini body design allows for easy installation across a wide range of applications and the ability to operate in clean or dirty water applications.

	Code	Description	Pack Size	RRP
	<b>HSFPV2520B</b>	<b>Superflo Brass 25/20</b> Supplied with: Complete Brass Valve Body, 15, 20 & 25mm Standard Adaptors, Brass Arm, 700mm Cord and Nuts	EA	\$137.50
	<b>HSFPV2520BL</b>	<b>Superflo Brass 25/20 Long</b> Supplied with: Complete Brass Valve Body, 20 & 25mm Long Tail Adaptors, Brass Arm, 700mm Cord and Nuts	EA	\$146.30
	<b>HSFPV2015BL</b>	<b>Superflo Brass 20/15 Long</b> Supplied with: Complete Brass Valve Body, 15 & 20mm Long Tail Adaptors, Brass Arm, 700mm Cord and Nuts	EA	\$146.30
	<b>HSFPV2520BS</b>	<b>Superflo Brass 25/20 Short Arm</b> Supplied with: Complete Brass Valve Body, 15, 20 & 25mm Standard Adaptors and Short Brass Arm	EA	\$126.50
	<b>HSFPV2520BLS</b>	<b>Superflo Brass 25/20 Long/Short Arm</b> Supplied with: Complete Brass Valve Body, 20 & 25mm Long Tail Adaptors and Short Brass Arm	EA	\$137.50
	<b>HSFPV2015BLS</b>	<b>Superflo Brass 20/15 Long/Short Arm</b> Supplied with: Complete Brass Valve Body, 15 & 20mm Long Tail Adaptors and Short Brass Arm	EA	\$137.50

The Super-Flo Valves in this catalogue are protected by intellectual property rights owned by the Hansen group of companies in New Zealand. For more information refer to the legal information section.

Prices are in AUD and are inclusive of 10% GST. Recommended Retail Prices are indicative and Actual Retail Prices may vary between retailers.

*Super-Flo*

## Components of the *Super-Flo* Trough Valve

	Code	Description	Pack Size	RRP
	HSFBODYB	25mm Female BSPT Brass Piston Valve Body	EA	\$99.40
	HSFPISTON	Slipper Fit Piston with O Ring	EA	\$10.45
	HSFCAPF	Superflo Female Body Cap Nut	EA	\$10.47
	HSFCAP	Valve Body Cap Nut	EA	\$6.49
	HSFSEAL	Valve Body Washer Seal	EA	\$3.42
	HSFARM	Long Brass Arm 330mm long	EA	\$20.79
	HSFARMS	Short Brass Arm 202mm long	EA	\$20.74
	HSFPIN20	20mm Stainless Steel Split Pin	10	\$14.58
	HFLOAT115B	115mm Threaded Float Blue	EA	\$11.39
	HFLOAT115HI	115mm Threaded Float HiViz	EA	\$13.42
	HFLOAT115P	115mm Threaded Float Pink	EA	\$13.42
	HFLOAT140B	140mm Threaded Float Blue	EA	\$13.64
	HFLOAT140HI	140mm Threaded Float HiViz	EA	\$15.90
	HFLOAT140P	140mm Threaded Float Pink	EA	\$15.90
	HFLOAT140PURP*	140mm Threaded Float Purple	EA	POA
	HFLOAT140R*	140mm Threaded Float Red	EA	POA
<i>*Non stock item, available on request</i>				
	HCORD	700mm Cord and Nuts	EA	\$6.00
	HSFORING	Piston O-Ring	10	\$14.19
<b>Accessories</b>				
Long Tail Adaptor with O-Ring Seal				
	HMAL15	25mm BSPT to 15mm BSPT	EA	\$17.77
	HMAL20	25mm BSPT to 20mm BSPT	EA	\$17.77
	HMAL25	25mm BSPT to 25mm BSPT	EA	\$17.77
	HMAL32	25mm BSPT to 32mm BSPT	EA	\$19.69
	HMAL40	25mm BSPT to 40mm BSPT	EA	\$20.62
	HMAL50	25mm BSPT to 50mm BSPT	EA	\$24.07
Standard Adaptor with O-Ring Seal				
	HMA15	25mm BSPT to 15mm BSPT	EA	\$6.71
	HMA20	25mm BSPT to 20mm BSPT	EA	\$6.71
	HMA25	25mm BSPT to 25mm BSPT	EA	\$6.71
	HMA32	25mm BSPT to 32mm BSPT	EA	\$6.71
	HMA40	25mm BSPT to 40mm BSPT	EA	\$14.13
	HMA50	25mm BSPT to 50mm BSPT	EA	\$14.12

Prices are in AUD and are inclusive of 10% GST. Recommended Retail Prices are indicative and Actual Retail Prices may vary between retailers.

## Max~Flo Trough / Tank Valve

The Hansen Max~Flo Diaphragm Valve has been designed with multiple thread and connection combinations to increase overall durability and versatility. The patent pending "Self Cleaning Pilot" ensures the valves are durable and suitable for dirty water applications. Less operating pressure is required, reducing pumping costs and increasing flow. Mini body design allows for easy installation across a wide range of applications and our 30 year time tested performance slow open and close diaphragm ensures no undue stress is placed on pump lines or pumps.



Code	Description	Pack Size	RRP
<b>HMF DV2520</b>	<b>Maxflo 25/20</b>	EA	\$109.23
Supplied with: Complete Valve Body, 20mm, 25mm & 32mm Standard Adaptors, Adjustable Extension Arm, 100mm Blue Flanged Float, 650mm Cord			



<b>HMF DV2520L</b>	<b>Maxflo 25/20 Long</b>	EA	\$123.20
Supplied with: Complete Valve Body, 20 & 25mm Long Tail Adaptors, Adjustable Extension Arm, 100mm Blue Flanged Float, 650mm Cord			



<b>HMF DV3225L</b>	<b>Maxflo 32/25 Long</b>	EA	\$123.20
Supplied with: Valve Body, 25 & 32mm Long Tail Adaptors, Adjustable Extension Arm, 100mm Blue Flanged Float, 650mm Cord			

MAXFLO

VALVES

The Max-Flo Valves in this catalogue are protected by intellectual property rights owned by the Hansen group of companies in New Zealand. For more information refer to the legal information section.

Prices are in AUD and are inclusive of 10% GST. Recommended Retail Prices are indicative and Actual Retail Prices may vary between retailers.



*Max-Flo*

## Components of the *Max-Flo* Valve

	Code	Description	Pack Size	RRP
	HMFBODY	25mm Female BSPT Diaphragm Valve Body	EA	\$21.40
	HMFDIA	25mm Diaphragm with Stainless Steel Spring	EA	\$33.77
	HMFCAP	Valve Body Cap with Guide Pin	EA	\$11.77
	HMFNUT	Valve Body Cap Nut	EA	\$6.22
	HMFARM	Short Control Arm with Arm Seal	EA	\$13.48
	HMFARM	Adjustable Extension Arm	EA	\$5.32
	HMFSEAL	Short Control Arm Seal	10	\$1.78
	HMFSCREW	2x 20mm Stainless Steel Screws	EA	\$1.90
	HMFPIN25	25mm Stainless Steel Split Pin	10	\$18.21
	HFLOAT100B	100mm Flanged Blue Float	EA	\$10.67
	HFLOAT100HI	100mm Flanged Float HiViz	EA	\$12.56
	HMFCORD	650mm Cord	EA	\$9.57
<b>Accessories</b>				
Long Tail Adaptor with O-Ring Seal				
	HMAL15	25mm BSPT to 15mm BSPT	EA	\$17.77
	HMAL20	25mm BSPT to 20mm BSPT	EA	\$17.77
	HMAL25	25mm BSPT to 25mm BSPT	EA	\$17.77
	HMAL32	25mm BSPT to 32mm BSPT	EA	\$19.69
	HMAL40	25mm BSPT to 40mm BSPT	EA	\$20.62
	HMAL50	25mm BSPT to 50mm BSPT	EA	\$24.07
Standard Adaptor with O-Ring Seal				
	HMA15	25mm BSPT to 15mm BSPT	EA	\$6.71
	HMA20	25mm BSPT to 20mm BSPT	EA	\$6.71
	HMA25	25mm BSPT to 25mm BSPT	EA	\$6.71
	HMA32	25mm BSPT to 32mm BSPT	EA	\$6.71
	HMA40	25mm BSPT to 40mm BSPT	EA	\$14.13
	HMA50	25mm BSPT to 50mm BSPT	EA	\$14.12

Prices are in AUD and are inclusive of 10% GST. Recommended Retail Prices are indicative and Actual Retail Prices may vary between retailers.

## Leveller Valve High Performance Reservoir / Tank Valve

50mm



40mm



32mm



Code	Description	Pack Size	RRP
HLEVELLERS	LEVELLER VALVE 32/40/50	EA	\$290.60
Supplied with: Complete Valve Body, 32, 40 & 50mm Standard Adaptors, Leveller Control, 115mm Weighted HiViz Threaded Ball, 140mm Blue Threaded Float, 2.4 metre Cord.			

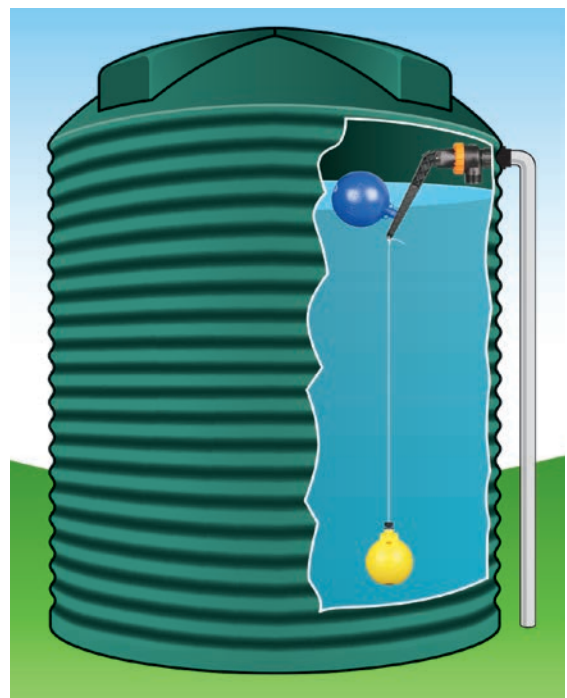
**Enables you to set a minimum & maximum water level when filling your tank with a pump**

### Leveller Valve Features and Benefits

- ✓ Lengthen your Pumps Life with Less on/off Cycles
- ✓ Prevent Pump Burnout caused by Dry Tank Syndrome
- ✓ Combine with Rain Harvesting to take advantage of Natures Reserves



- High performance cost effective Reservoir/Tank valve.
- Adjustable minimum and maximum on/off control (50mm - 2.5 metre).
- Suitable for High/Low pressures (0.2 Bar - 12 Bar).
- Delivers high volumes of water quickly with unrestricted full flow (1275 l/min at 12 Bar).
- Patent pending "self cleaning pilot" for use in clean/dirty water conditions.
- Soft open and close action preventing valve bounce and water hammer.
- Strong, compact design.
- Threaded outlet for use with a diffuser tube, ideal for high flows, eliminating turbulence.
- Punch out anti-syphon holes for multi tank filling or diffuser installations.
- Manufactured from strong, non-corrosive UV stabilised materials.



The Leveller Valve in this catalogue is protected by intellectual property rights owned by the Hansen group of companies in New Zealand. For more information refer to the legal information section.

Prices are in AUD and are inclusive of 10% GST. Recommended Retail Prices are indicative and Actual Retail Prices may vary between retailers.

## Leveller Valve

### Components of the Leveller Valve

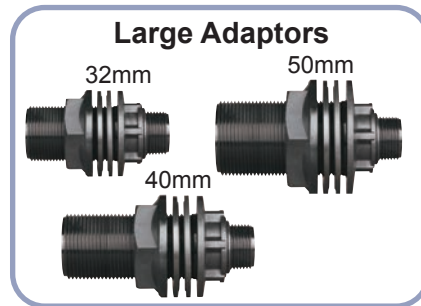
	Code	Description	Pack Size	RRP
	HMFBDY	25mm Female BSPT Diaphragm Valve Body	EA	\$21.40
	HMFDA	25mm Diaphragm with Stainless Steel Spring	EA	\$33.77
	HLVNUTO	Valve Body Cap Nut	EA	\$9.02
	HLVCAPASS	Cap Assembly (Cap, Seal, Rocker)	EA	\$25.30
	HLVPHASS	Plunger Housing Assembly (Roller, Plunger, Spring, Plunger Housing)	EA	\$17.99
	HLVCLAMPSET	Clamp Set (Clamp Bolt 5/16 SS, Clamp Block)	EA	\$15.62
	HLVHARMASS	Housing and Arm Assembly (Housing, Arm, Pivot Tube, SS Pin)	EA	\$35.73
	HLVPIN40	40mm Stainless Steel Split Pin	10	\$18.50
	HLVCORD	2.4 Metre Cord	EA	\$15.62
	HFLOAT140B	140mm Threaded Blue Float	EA	\$13.64
	HLVWFLOAT	115mm Weighted HiViz Threaded Ball (Weight included)	EA	\$26.03
<b>Accessories</b>				
	Long Tail Adaptor with O-Ring Seal			
	HMAL15	25mm BSPT to 15mm BSPT	EA	\$17.77
	HMAL20	25mm BSPT to 20mm BSPT	EA	\$17.77
	HMAL25	25mm BSPT to 25mm BSPT	EA	\$17.77
	HMAL32	25mm BSPT to 32mm BSPT	EA	\$19.69
	HMAL40	25mm BSPT to 40mm BSPT	EA	\$20.62
	HMAL50	25mm BSPT to 50mm BSPT	EA	\$24.07
	Standard Adaptor with O-Ring Seal			
	HMA15	25mm BSPT to 15mm BSPT	EA	\$6.71
	HMA20	25mm BSPT to 20mm BSPT	EA	\$6.71
	HMA25	25mm BSPT to 25mm BSPT	EA	\$6.71
	HMA32	25mm BSPT to 32mm BSPT	EA	\$6.71
	HMA40	25mm BSPT to 40mm BSPT	EA	\$14.13
	HMA50	25mm BSPT to 50mm BSPT	EA	\$14.12

Prices are in AUD and are inclusive of 10% GST. Recommended Retail Prices are indicative and Actual Retail Prices may vary between retailers.

## Rapid-Flo Valve

RAIN RELIEF

## High Performance Rain Relief Tank Valve



Code	Description	Pack Size	RRP
HRRRF152025	Rapidflo Valve 15/20/25 Long Tail	EA	\$290.60
HRRRF324050	Rapidflo Valve 32/40/50 Long Tail	EA	\$290.60

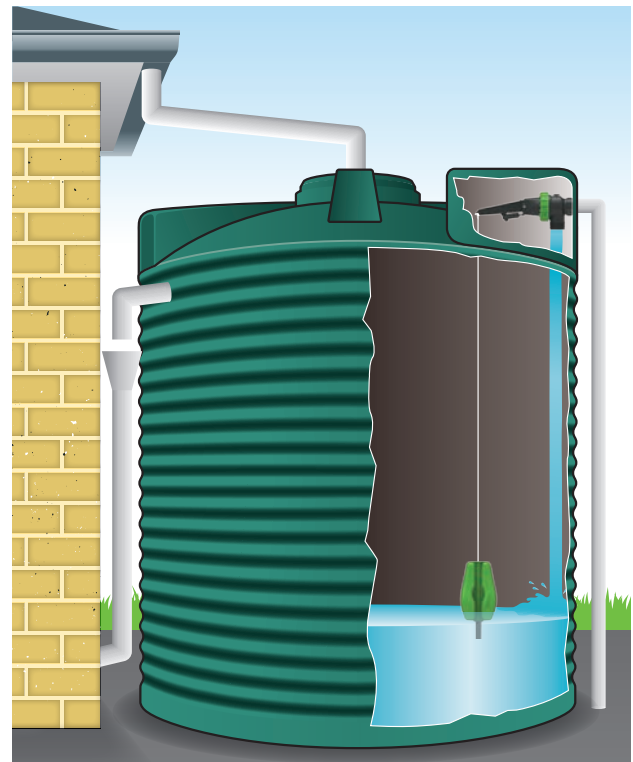
Supplied with: Complete Valve Body, Weighted Float, 2.4 metre Cord and either 15mm & 20mm & 25mm Long Tail Adaptor or 32mm & 40mm & 50mm Long Tail Adaptor

## Enables you to supplement your rainwater tank during dry weather spells

If the tanks rain water level drops below minimum, the *Rapid-Flo* valve opens to supplement the tanks water from an alternative source such as the mains water supply.

### Rapid-Flo Valve Features & Benefits














- ✓ Rain Harvesting & only pump when you need to
- ✓ Unrestricted full flow up to 1275 l/min at 12 Bar
- ✓ Prevent Dry Tank Syndrome
  - Maintains a minimum water level in rainwater tanks.
  - Delivers high volumes of water quickly with unrestrictive full flow (1275 l/min at 12 Bar).
  - Suitable for high/low pressures (0.2 Bar – 12 Bar).
  - Patent pending “self cleaning pilot” for use in clean/ dirty water conditions.
  - Soft open and close action preventing valve bounce and water hammer.
  - Lock off plunger allows the valve to be manually locked to the off position.
  - Strong, compact design.
  - Manufactured from strong, non-corrosive UV stabilised materials.



The Rain Relief Valves in this catalogue are protected by intellectual property rights owned by the Hansen group of companies in New Zealand. For more information refer to the legal information section.

Prices are in AUD and are inclusive of 10% GST. Recommended Retail Prices are indicative and Actual Retail Prices may vary between retailers.

## Components of the *Rapid-Flo* Rain Relief Valve

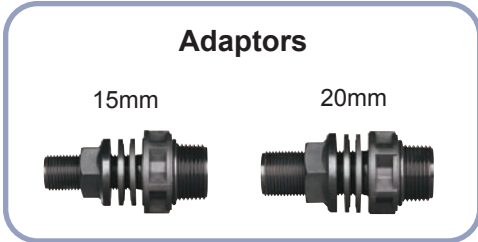
	Code	Description	Pack Size	RRP
	HMFBDY	25mm Valve Body	EA	\$21.40
	HRRDIA	25mm Rain Relief Diaphragm & SS Spring	EA	\$50.09
	HRRNUTG	Rain Relief Valve Body Cap Nut	EA	\$9.44
	HRRLP	Rain Relief Locking Plunger	EA	\$16.71
	HRRFCAPASS	Rain Relief Rapidflo Cap Assembly	EA	\$26.67
	HLVPHASS	Leveller Plun. Housing Assembly	EA	\$17.99
	HRRARMAS	Rain Relief Arm Assembly	EA	\$23.38
	HLVPIN40	40mm Stainless Steel Split Pin	10	\$18.50
	HRRWFLOAT	Rain Relief Weighted Float	EA	\$63.61
	HRRCORD	Rain Relief 2.4M Cord	EA	\$15.00
	HRRWC	Rain Relief Weight & Carrier	EA	\$20.00
<b>Accessories</b>				
	Long Tail Adaptor with O-Ring Seal			
	HMAL15	25mm BSPT to 15mm BSPT	EA	\$17.77
	HMAL20	25mm BSPT to 20mm BSPT	EA	\$17.77
	HMAL25	25mm BSPT to 25mm BSPT	EA	\$17.77
	HMAL32	25mm BSPT to 32mm BSPT	EA	\$19.69
	HMAL40	25mm BSPT to 40mm BSPT	EA	\$20.62
	HMAL50	25mm BSPT to 50mm BSPT	EA	\$24.07
	Standard Adaptor with O-Ring Seal			
	HMA15	25mm BSPT to 15mm BSPT	EA	\$6.71
	HMA20	25mm BSPT to 20mm BSPT	EA	\$6.71
	HMA25	25mm BSPT to 25mm BSPT	EA	\$6.71
	HMA32	25mm BSPT to 32mm BSPT	EA	\$6.71
	HMA40	25mm BSPT to 40mm BSPT	EA	\$14.13
	HMA50	25mm BSPT to 50mm BSPT	EA	\$14.12

Prices are in AUD and are inclusive of 10% GST. Recommended Retail Prices are indicative and Actual Retail Prices may vary between retailers.

## Slo-Flo Valve

RAIN RELIEF

### Restricted Performance Rain Relief Tank Valve



Code	Description	Pack Size	RRP
HRRSF1520	Sloflo Valve 15/20 Long Tail	EA	\$290.60

Supplied with: Complete Valve Body, Weighted Float, 2.4 metre Cord, 15mm & 20mm Long Tail Adaptor

**Enables you to supplement your rainwater tank during dry weather spells**

If the tanks rain water level drops below minimum, the *Slo-Flo* valve opens to supplement the tanks water from an alternative source such as the mains water supply.

### *Slo-Flo* Valve Features and Benefits

- ✓ Rain Harvesting & only pump when you need to
- ✓ Restricted flow to 2.0 l/min
- ✓ Prevent Dry Tank Syndrome
- Maintains a minimum water level in rainwater tanks.
- Delivers consistent 2.0 l/min.
- Suitable for high/low pressures (0.2 Bar – 12 Bar).
- Patent pending “self cleaning pilot” for use in clean/dirty water conditions.
- Soft open and close action preventing valve bounce and water hammer.
- Strong, compact design.
- Manufactured from strong, non-corrosive UV stabilised materials.



Note: Strainer and Gooseneck not included.

The Rain Relief Valves in this catalogue are protected by intellectual property rights owned by the Hansen group of companies in New Zealand. For more information refer to the legal information section.

Prices are in AUD and are inclusive of 10% GST. Recommended Retail Prices are indicative and Actual Retail Prices may vary between retailers.

## Components of the *Slo-Flo* Rain Relief Valve

	Code	Description	Pack Size	RRP
	HRRSFBODY	25mm Rain Relief Sloflo Valve Body	EA	\$25.07
	HRRDIA	25mm Rain Relief Diaphragm & SS Spring	EA	\$50.09
	HRRNUTG	Rain Relief Valve Body Cap Nut	EA	\$9.44
	HRRLP	Rain Relief Locking Plunger	EA	\$16.71
	HRRSFCAPASS	Rain Relief Sloflo Cap Assembly	EA	\$30.03
	HLVPHASS	Leveller Plun. Housing Assembly	EA	\$17.99
	HRRSFFR	Rain Relief Sloflo Flow Restrictor	EA	\$6.08
	HRRSFOA	Rain Relief Sloflo Outlet Adaptor	EA	\$6.08
	HRRARMAS	Rain Relief Arm Assembly	EA	\$23.38
	HLVPIN40	40mm Stainless Steel Split Pin	10	\$18.50
	HRRCORD	Rain Relief 2.4M Cord	EA	\$15.00
	HRRWFLOAT	Rain Relief Weighted Float	EA	\$63.61
	HRRWC	Rain Relief Weight & Carrier	EA	\$20.00
<b>Accessories</b>				
	Long Tail Adaptor with O-Ring Seal			
	HMAL15	25mm BSPT to 15mm BSPT	EA	\$17.77
	HMAL20	25mm BSPT to 20mm BSPT	EA	\$17.77
	HMAL25	25mm BSPT to 25mm BSPT	EA	\$17.77
	HMAL32	25mm BSPT to 32mm BSPT	EA	\$19.69
	HMAL40	25mm BSPT to 40mm BSPT	EA	\$20.62
	HMAL50	25mm BSPT to 50mm BSPT	EA	\$24.07
	Standard Adaptor with O-Ring Seal			
	HMA15	25mm BSPT to 15mm BSPT	EA	\$6.71
	HMA20	25mm BSPT to 20mm BSPT	EA	\$6.71
	HMA25	25mm BSPT to 25mm BSPT	EA	\$6.71
	HMA32	25mm BSPT to 32mm BSPT	EA	\$6.71
	HMA40	25mm BSPT to 40mm BSPT	EA	\$14.13
	HMA50	25mm BSPT to 50mm BSPT	EA	\$14.12

Prices are in AUD and are inclusive of 10% GST. Recommended Retail Prices are indicative and Actual Retail Prices may vary between retailers.

## Valve Accessories

The Dual Float Adaptor is used for attaching two floats to the brass arm of a Trough Valve. It is also used for attaching a second float to the Hansen Level Alert when using 4 extension rods.

### Dual Float Adaptor



Code	Description	Pack Size	RRP
HDUALFLOATA	Dual Float Adaptor	EA	\$12.35

The Standard Adaptor is used for installing a Hansen Trough or Tank Valve into a threaded inlet.

### Standard Adaptor with O-Ring Seal



Code	Description	Pack Size	RRP
HMA15	25mm BSPT to 15mm BSPT	EA	\$17.77
HMA20	25mm BSPT to 20mm BSPT	EA	\$17.77
HMA25	25mm BSPT to 25mm BSPT	EA	\$17.77
HMA32	25mm BSPT to 32mm BSPT	EA	\$19.69
HMA40	25mm BSPT to 40mm BSPT	EA	\$20.62
HMA50	25mm BSPT to 50mm BSPT	EA	\$24.07

The Long Tail Adaptor is used for a Hansen Trough or Tank Valve when installing through a trough or tank wall.

### Long Tail Adaptor with O-Ring Seal



Code	Description	Pack Size	RRP
HMAL15	25mm BSPT to 15mm BSPT	EA	\$6.71
HMAL20	25mm BSPT to 20mm BSPT	EA	\$6.71
HMAL25	25mm BSPT to 25mm BSPT	EA	\$6.71
HMAL32	25mm BSPT to 32mm BSPT	EA	\$6.71
HMAL40	25mm BSPT to 40mm BSPT	EA	\$14.13
HMAL50	25mm BSPT to 50mm BSPT	EA	\$14.12

### Hansen Super-Flo Piston Valve HSFPV2520 in use



Prices are in AUD and are inclusive of 10% GST. Recommended Retail Prices are indicative and Actual Retail Prices may vary between retailers.



## Valve Floats

	Code	Description	Pack Size	RRP
	HFLOAT100B	100mm Flanged Float Blue fits <i>Max-Flo</i> or other valves with Cord and Nut	EA	\$10.67
	HFLOAT115B	115mm Threaded Float Blue fits <i>Super-Flo</i> and <i>Fast-Flo</i> or other valves with Brass Arm or Cord	EA	\$11.39
	HFLOAT140B	140mm Threaded Float Blue Fits <i>Super-Flo</i> and <i>Fast-Flo</i> or other valves with Brass Arm or Cord	EA	\$13.64
	HFLOAT230L	155mm x 230mm Long Threaded Float Blue For Level Alert	EA	\$21.29
	HMFFFLOAT	<i>Mini Fast-Flo</i> Float	EA	\$10.04
	HFLOAT100HI	100mm Flanged Float HiViz fits <i>Max-Flo</i> or other valves with Cord and Nut	EA	\$12.56
	HFLOAT115HI	115mm Threaded Float HiViz fits <i>Super-Flo</i> and <i>Fast-Flo</i> or other valves Brass Arm or Cord	EA	\$13.42
	HFLOAT140HI	140mm Threaded Float HiViz fits <i>Super-Flo</i> and <i>Fast-Flo</i> or other valves with Brass Arm or Cord	EA	\$15.90
	HLVWFLOAT	115mm Weighted HiViz Threaded Ball fits <i>Leveller Valve</i> (Weight included)	EA	\$26.03
	HFLOAT115P	115mm Threaded Float Pink fits <i>Super-Flo</i> and <i>Fast-Flo</i> or other valves with Brass Arm or Cord	EA	\$13.42
	HFLOAT140P	140mm Threaded Float Pink fits <i>Super-Flo</i> and <i>Fast-Flo</i> or other valves with Brass Arm or Cord	EA	\$15.90
	HFLOAT140PURP*	140mm Threaded Float Purple fits <i>Super-Flo</i> and <i>Fast-Flo</i> or other valves with Brass Arm or Cord	EA	POA
	HFLOAT140R*	140mm Threaded Float Red fits <i>Super-Flo</i> and <i>Fast-Flo</i> or other valves with Brass Arm or Cord	EA	POA

\*Non stock item, available on request

Prices are in AUD and are inclusive of 10% GST. Recommended Retail Prices are indicative and Actual Retail Prices may vary between retailers.

## Foot & Check Valves TECHNICAL INFORMATION

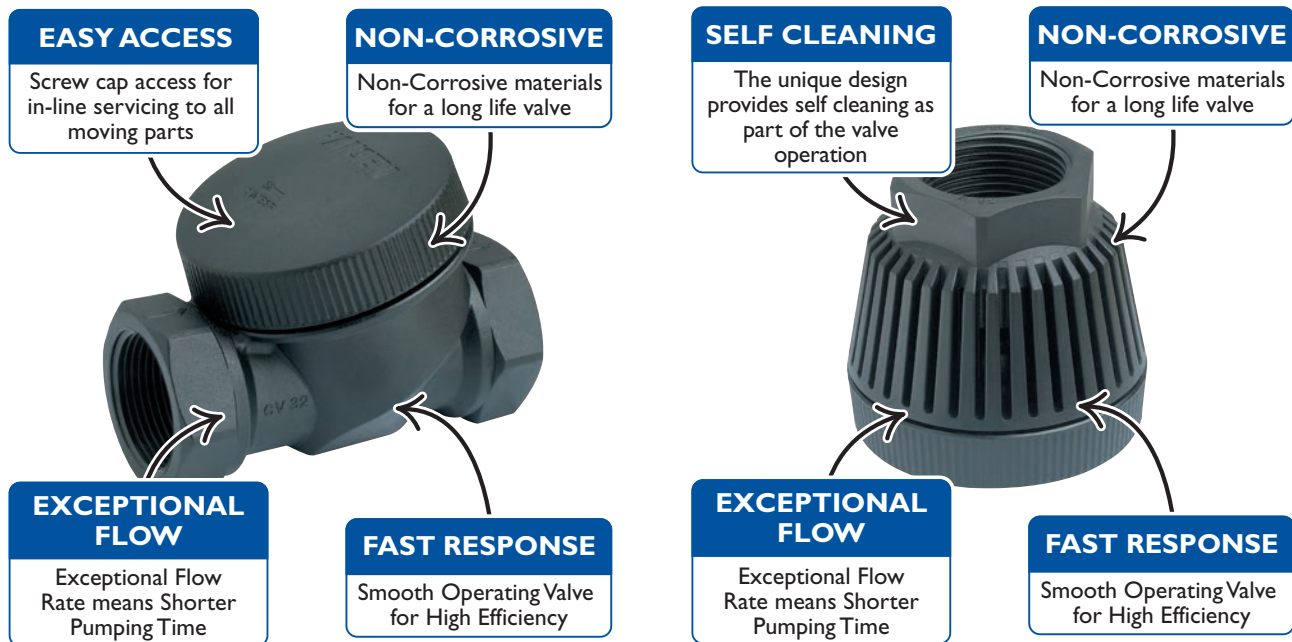
### Features and Benefits

#### Check Valves

- High performance, cost effective check valve with a strong, compact design that delivers high volumes of water quickly with unrestricted full flow.
- Unique design gives you exceptional flow rates thus, can move more water in less time and save on pumping costs.
- Screw cap allows for easy access for in-line servicing.
- No poppet valve to wear or jam.
- Diaphragm and spring are interchangeable with the same size Hansen Foot Valve.
- Fast response when opening and closing.
- Smooth operating valve for high efficiency with the valve opening at only 1psi.
- All connecting threads are BSPT.
- New Zealand Made.
- Manufactured from strong, non-corrosive UV stabilised materials for a long life. These materials are approved for use with potable (drinkable) water.

#### Foot Valves

- High performance, cost effective Foot Valve, delivers high volumes of water quickly with unrestricted full flow.
- Efficiency in excess of 95% compared to many other types of valves.
- Operates via pressure differential and at any angle or position.
- No poppet valve to wear or jam.
- Easy access screw cap for servicing, diaphragm and spring are interchangeable with the same size Check Valve.
- Blockages reduced due to low fluid velocity through slots.
- All connecting threads are BSPT.
- Smooth operating valve for high efficiency.
- Unique design which incorporates a self cleaning diaphragm.
- Manufactured from strong, non-corrosive UV stabilised materials.
- Materials approved for use with potable (drinkable) water.



### Approvals

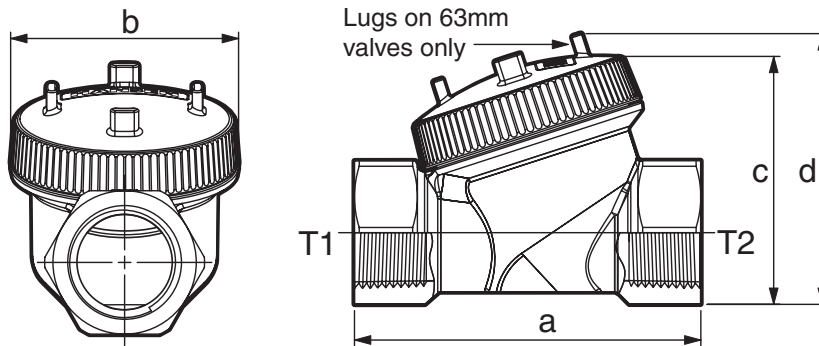
**AS/NZS 4020** – Hansen Check and Foot Valves have met the requirements of AS/NZS 4020 Australia & New Zealand drinking water test standard.

See our website for further details.

## TECHNICAL INFORMATION *Foot & Check Valves*

### Check Valve Dimensions

Product Code	T1 BSPT	T2 BSPT	a mm	b mm	c mm	d mm
CV25	1" (25mm)	1" (25mm)	102	69	72	NA
CV32	1 1/4" (32mm)	1 1/4" (32mm)	122	87	92	NA
CV40	1 1/2" (40mm)	1 1/2" (40mm)	132	99	104	NA
CV50	2" (50mm)	2" (50mm)	164	123	132	NA
CV63	2 1/2" (63mm)	2 1/2" (63mm)	198	152	NA	178



### Check Valve Parts and Materials

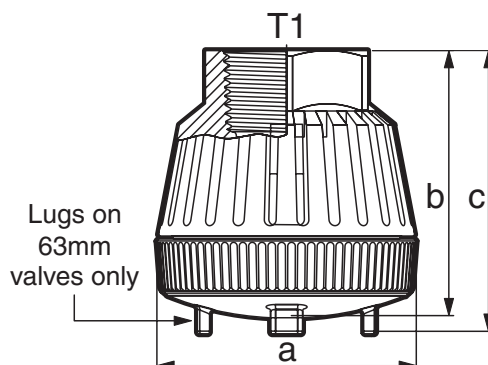
- Strong, Non-Corrosive Materials.
- **Body** - High Quality Glass Fibre Reinforced Nylon.
- **Diaphragm** - Nitrile Rubber.
- **Spring** - Stainless Steel.

All components of this valve are manufactured from materials approved for use with potable (drinkable) water.

The Check Valve in this catalogue are protected by intellectual property rights owned by the Hansen group of companies in New Zealand. For more information refer to the legal information section.

### Foot Valve Dimensions

Product Code	T1 BSPT	a mm	b mm	c mm
FV25	1" (25mm)	69	72	NA
FV32	1 1/4" (32mm)	87	88	NA
FV40	1 1/2" (40mm)	99	99	NA
FV50	2" (50mm)	123	120	NA
FV63	2 1/2" (63mm)	152	NA	156



### Foot Valve Parts and Materials

- Strong, Non-Corrosive Materials.
- **Body** - High Quality Glass Fibre Reinforced Nylon.
- **Diaphragm** - Nitrile Rubber.
- **Spring** - Stainless Steel.

All components of this valve are manufactured from materials approved for use with potable (drinkable) water.

The Foot Valve in this catalogue are protected by intellectual property rights owned by the Hansen group of companies in New Zealand. For more information refer to the legal information section.

## Foot & Check Valves TECHNICAL INFORMATION

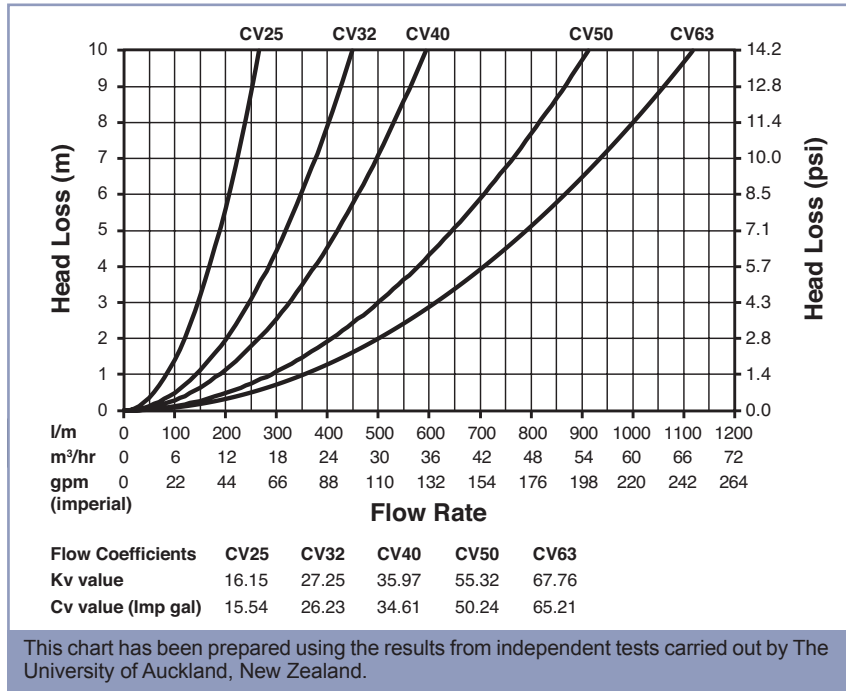
### Check and Foot Valve Chemical Resistance

CHEMICAL TYPE	RESISTANCE LEVEL		
	Good	OK But Check Further	BAD Try to Avoid
Acids Weak			X
Acids Strong			X
Organic Acids Weak		X	
Organic Acids Strong			X
Bases Weak	X		
Bases Strong		X	
Bleach			X
CHEMICAL TYPE	RESISTANCE LEVEL		
Automotive Fuel	X		
Automotive Lubricants	X		
Hydraulic Fluids			X
CHEMICAL TYPE	RESISTANCE LEVEL		
Solvents		X	
Hydrocarbons	X		
Halogens			X
Alcohols			X
Aldehydes			X
Amines			X
Esters			X
Ethers			X
Ketones			X
CHEMICAL TYPE	RESISTANCE LEVEL		
Detergents	X		
Oxidising Agents			X
Weak Hydrogen Peroxide		X	
Phenols			X

PLEASE NOTE: This chart is intended as a basic guide only. The resistance to a given chemical will vary with temperature & concentrations. Some chemicals within the group mentioned may result in different rating. For further information, please email us with your specific question.

## TECHNICAL INFORMATION *Foot & Check Valves*

### Choosing the Correct Check Valve



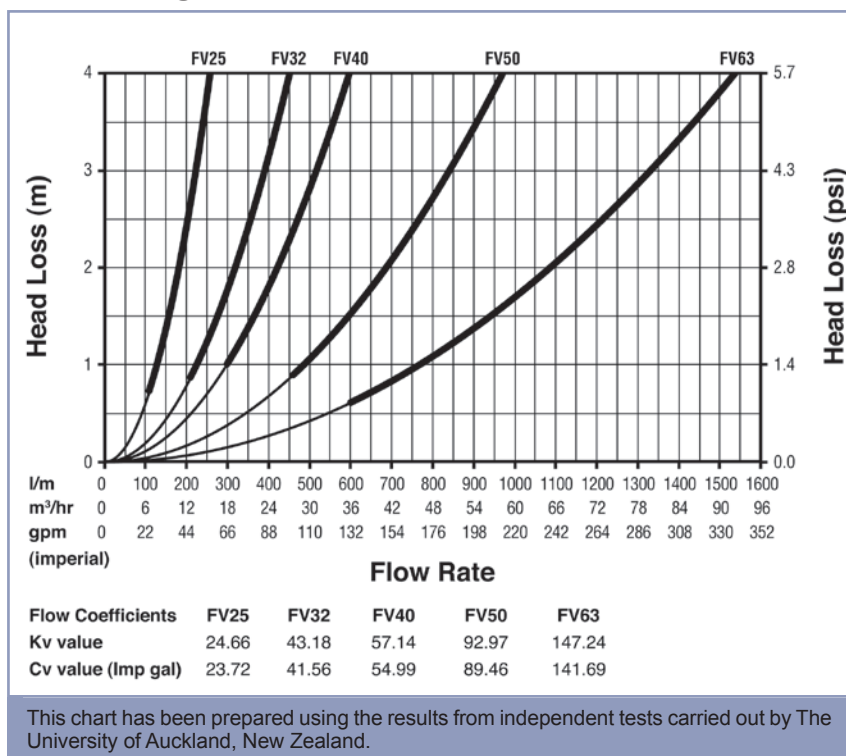
Use the following instructions and the flow chart to determine the correct Check Valve for your requirements.

Because of the unrestricted Full Flow design of the Hansen Check Valve you will often find you will be able to choose a smaller Hansen Check Valve than most other check valves on the market. As the Flow Chart is based on head loss across a fully opened diaphragm firstly go to the table following headed "Flow Required to Fully Open Diaphragm" and check which valves sizes will not be fully open with your system flow.

To Read the Check Valve Flow Chart, find your system flow across the bottom of the chart on this page and take a line vertically up the chart to size a valve with an acceptable head loss for your system.

**Example:** with a flow of 300lpm a CV50 will have a head loss of 1.1m and a CV32 will have a head loss of 4.4m. 300lpm will not fully open a CV63.

### Choosing the Correct Foot Valve



Use the following flow chart and technical specifications to determine the correct Foot Valve for your requirements.

Firstly find your system flow across the bottom of the chart and then take a line vertically up the chart to the size valve with an acceptable head loss for your system. For dirty water applications choose the smallest valve that will be operating in the area shown by the thicker line with an acceptable head loss.

**Example:** If your pumping capacity is 400lpm a FV40 head loss will be 1.8m and a FV32 head loss will be 3.3m

## Foot & Check Valves TECHNICAL INFORMATION

### Check Valve Technical Specifications

Maximum Recommended Working Pressure @ 20°C					
Valve	CV25	CV32	CV40	CV50	CV63
psi	145	145	145	145	145
Bar	10	10	10	10	10
kPa	1000	1000	1000	1000	1000

Pressure Required for Initial Flow					
Valve	CV25	CV32	CV40	CV50	CV63
psi	0.5	0.5	0.5	0.5	0.5
kPa	3.5	3.5	3.5	3.5	3.5

Flow Required to Fully Open Diaphragm					
Valve	CV25	CV32	CV40	CV50	CV63
l/min	110	142	158	225	330

Connections Female BSPT					
Valve	CV25	CV32	CV40	CV50	CV63
Thread Size	1"	1 1/4"	1 1/2"	2"	2 1/2"

Dimensions (mm)					
Valve	CV25	CV32	CV40	CV50	CV63
Width	69	87	99	123	152
Length	102	122	132	164	198
Height	72	92	104	132	178

**Installation:** Valve will operate at any angle

**Maximum Operating Temperature:** 60°C

### Foot Valve Technical Specifications

Maximum Head Pressure @ 20°C					
Valve	FV25	FV32	FV40	FV50	FV63
psi	235	235	235	235	235
Bar	16	16	16	16	16
kPa	1600	1600	1600	1600	1600

Vacuum Required for Initial Flow					
Valve	FV25	FV32	FV40	FV50	FV63
psi	-0.5	-0.5	-0.5	-0.5	-0.5
kPa	-3.5	-3.5	-3.5	-3.5	-3.5

Vacuum Required to Fully Open Diaphragm					
Valve	FV25	FV32	FV40	FV50	FV63
psi	-1.5	-1.5	-1.5	-1.5	-1.5
kPa	-10.0	-10.0	-10.0	-10.0	-10.0

Minimum Flow for Self Cleaning Action					
Valve	FV25	FV32	FV40	FV50	FV63
l/min	110	210	300	460	600

Connection Female BSPT					
Valve	FV25	FV32	FV40	FV50	FV63
Thread size	1"	1 1/4"	1 1/2"	2"	2 1/2"

Dimensions (mm)					
Valve	CV25	CV32	CV40	CV50	CV63
Diameter	69	87	99	123	152
Length	72	88	99	120	156

The information given on this sheet is for guidance only. HANSEN PRODUCTS (NZ) LIMITED accepts no responsibility for the misuse or misapplication of this information.

## TECHNICAL INFORMATION *Foot & Check Valves*

### Check Valve Steps to Quick and Easy Installation

- Use a thread sealant on all threaded connections. We recommend Loctite 5331.
- Screw fitting into the check valve. Do not over tighten. Hand tight plus maximum of two turns with tools.
- All pipe work must be adequately supported.
- Check Valves should have a inline filter installed upstream of the check valve.
- Can be installed at any angle.

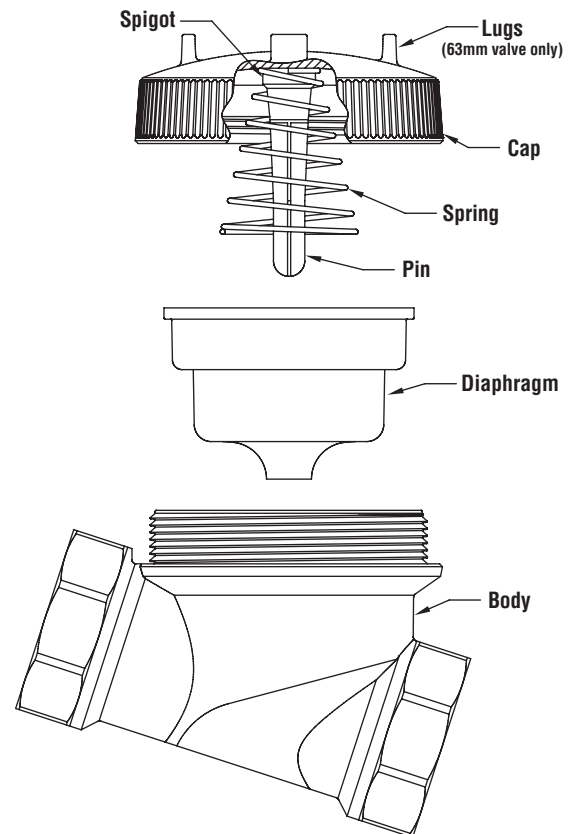
### Check Valve Re-assembly Instructions

These Instructions are for those situations where you need to clean out the valve in the event that grit or debris has reduced its working efficiency.

**Note:** Before re-assembling make sure that all components are fully cleaned.

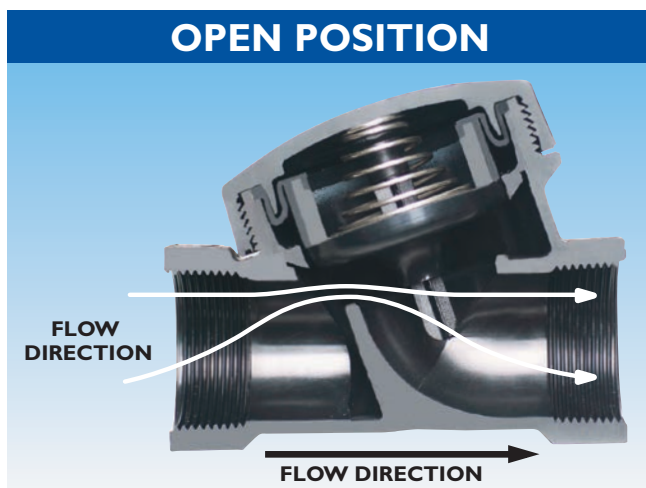
- Seat the diaphragm into the valve body.
- If spring is removed, place it over the pin and turn anti clockwise whilst pushing firmly to retain it on the spigot.
- Place the cap onto the valve body.
- Screw the cap fully onto the valve body and tighten down, hand tight only. For the 63mm valve, use the lugs to tighten the cap a further 1/4 to 1/3 turn until it stops.

The information given on this sheet is for guidance only. HANSEN PRODUCTS (NZ) LIMITED accepts no responsibility for the misuse or misapplication of this information.

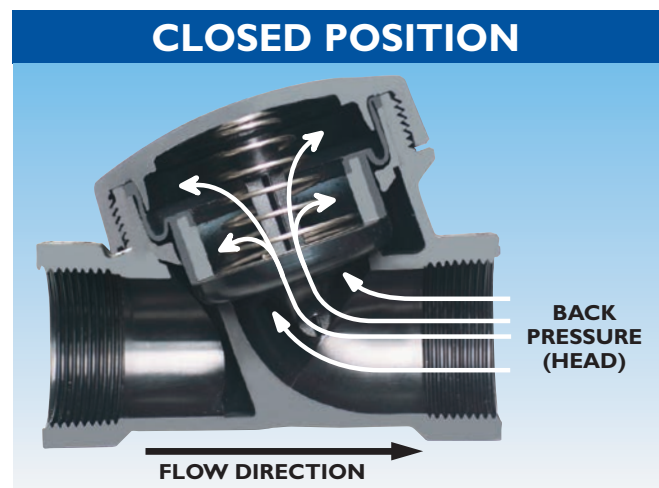


### Dynamic Valve Operation

When fluid is required in the direction of flow, the diaphragm opens allowing exceptional flow. As the flow through the valve stops, the diaphragm closes preventing any return flow. The greater the back or head pressure, the better the diaphragm seals against the valve seat.



Cross section shows valve in fully opened position



Cross section shows valve in fully closed position

## Foot & Check Valves TECHNICAL INFORMATION

### Foot Valve Steps to Quick and Easy Installation

- Use a thread sealant on all threaded connections. We recommend Loctite 5331.
- Screw fitting into the foot valve. Do not over tighten. Hand tight plus maximum of two turns with tools.
- All pipe work must be adequately supported.
- Can be installed at any angle.

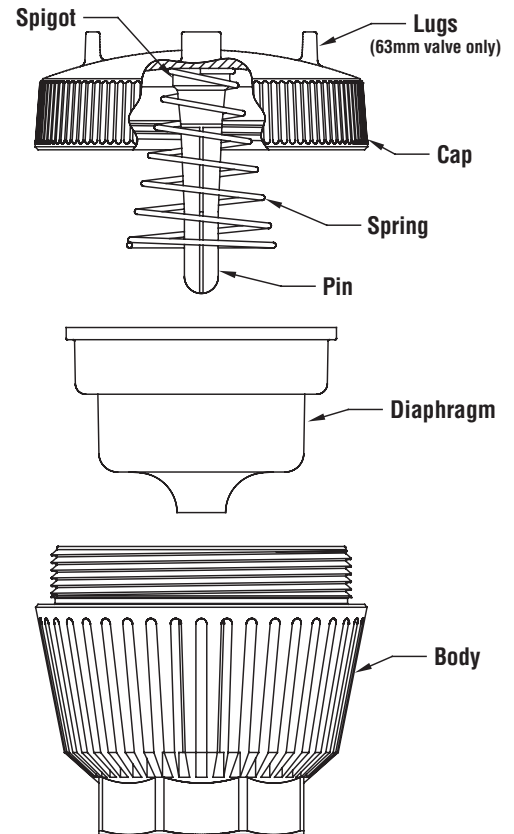
### Foot Valve Re-assembly Instructions

These Instructions are for those situations where you need to clean out the valve in the event that grit or debris has reduced its working efficiency.

**Note:** Before re-assembling make sure that all components are fully cleaned.

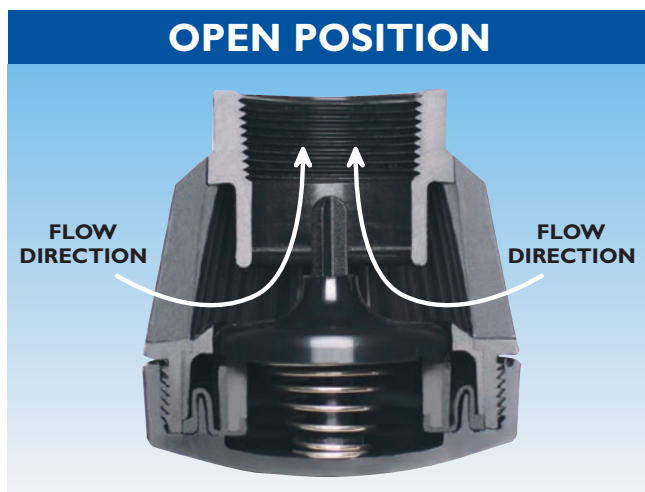
- Turn Foot Valve body upside down (as per picture).
- Seat the diaphragm into the valve body.
- If spring is removed, place it over the pin and turn anti-clockwise whilst pushing firmly to retain it on the spigot.
- Place the cap onto the valve body.
- Screw the cap fully onto the valve body and tighten down, hand tight only. For the 63mm valve, use the lugs to tighten the cap a further 1/4 to 1/3 turn until it stops.

The information given on this sheet is for guidance only. HANSEN PRODUCTS (NZ) LIMITED accepts no responsibility for the misuse or misapplication of this information.

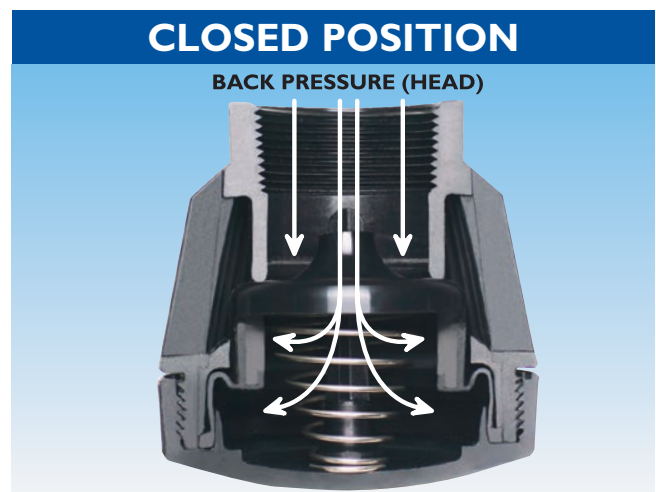


### Dynamic Valve Operation

When fluid is required in the direction of flow, the diaphragm opens allowing full flow. As the flow through the valve stops, the diaphragm closes preventing any return flow. The greater the back or head pressure, the better the diaphragm seals against the valve seat.



Cross section shows valve in fully opened position



closed position



## Foot and Check Valve Frequently Asked Questions

### Q Why won't my Valve seal?

**A** 1. There may be something sitting between the diaphragm and diaphragm seating area. Pull the valve apart and clean out (replace diaphragm if damaged) as per assembly instructions.

2. Check to ensure you are using the correct size valve for your situation (See Choosing the Correct Foot or Check Valve page).

### Q What temperature can I use Hansen Foot or Check Valve at?

**A** Hansen have tested all its products for use with cold water up to a maximum temperature of 60°C (140°F). We do not recommend the use of these products with temperatures higher than 60°C (140°F) as plastic expands due to temperature increases. Hansen cannot guarantee the products will perform when used with temperatures over 60°C (140°F). Hansen products that have failed in temperatures higher than 60°C (140°F) will not be covered by our Hansen Warranty.

### Q Do I have to remove my valve from the line to service?

**A** No. Your valve can be left in line for servicing. Refer to the Re-assembly page for further instructions.

### Q I have noticed the Hansen Check Valve has a screw top, does this mean it can be serviced inline?

**A** Yes, the Hansen Check Valve can be serviced inline and any parts replaced if required.

### Q I have an existing water line with a 40mm valve on it and I want to replace the valve with a Hansen valve. Do I use the same size valve as my existing one?

**A** You will need to refer to the Choosing the Correct Foot or Check Valve Page and use these charts to determine the valve size required. In some situations you may be able to use a smaller Hansen valve than your existing non Hansen valve.

### Q Can the Hansen Foot Valves be used with salt water passing through them?

**A** The spring in the valves is made of 302 grade stainless steel, and may eventually corrode in the salt water. The spring is available as a replacement part if required. All other parts of the valve are fully resistant to salt water.

### Q The dam I'm pumping from can get quite dirty at times, including slime and weed, I find my existing foot valve requires constant cleaning. Will the Hansen Foot Valve solve this problem?

**A** Yes the Hansen Foot Valve has been designed with the ability to work in dirty water situations and because of lower head losses of this valve you can select a smaller size than you normally would expect, thus with the higher velocities across the diaphragm the valve becomes self cleaning.

### Q Can I use my Hansen Foot Valve with my swimming pool/spa pool set up?

**A** No, as the high concentration of chlorine used in the water for pools, will attack the material. The fitting material is only suitable for use with domestic water. Hansen products that are used in this application will not be covered by our Hansen Warranty.

### Q When choosing my Foot Valve do I select a valve size to match the suction pipe diameter?

**A** No not necessarily, again because of the higher efficiencies of the Hansen Foot Valve you match your flow with the head loss your pump can afford, generally you will find the Hansen Foot Valve size will be less than the pipe diameter.

### Q The river I pump from is fairly shallow so I do pump some sand at times and find my existing Foot Valves have to be replaced often. Is the Hansen Foot Valve also a throw away valve?

**A** No, although pumping sand is unadvisable because of the damage to your pump. You will find with the screw cap service access to the Hansen Foot Valve you only need to replace the parts that wear in these circumstances. Another suggestion would be because the Hansen Foot Valve can be installed at any angle you may be able to install the Hansen Foot Valve vertically above your suction pipe and keep it above any sand.

### Q I find my check valves too often not sealing, I've been told I should have a filter upstream of the valve, is this the same with the Hansen Check Valve?

**A** All check valves should be screened upstream. The advantage of the Hansen Check Valve is that they can be serviced in line if your water is dirty.

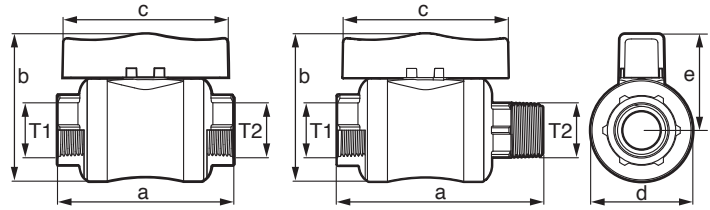
### Q How do I know what size valve to use?

**A** Work out the flow rate of your pump (your pump supplier / installer can help you here) then refer to Choosing the Correct Foot Valve Page.

## Full Flow Ball Valves TECHNICAL INFORMATION

### Ball Valve Features and Benefits

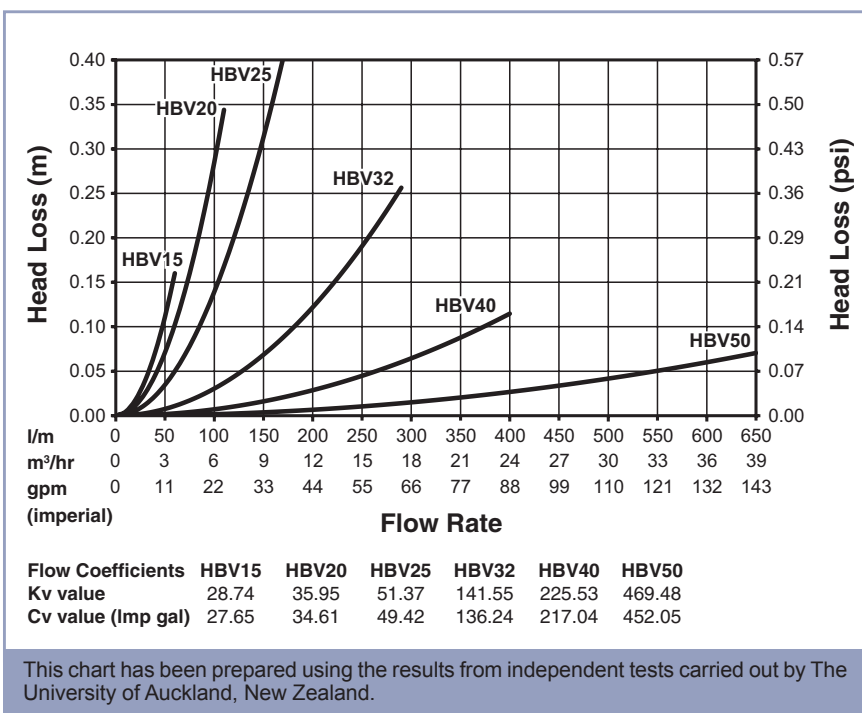
- Versatile Full Flow Ball Valve, Lightweight and Strong.
- Frost Friendly - an undocumented feature of being able to stand up in cold climates well beyond any competitor valve we have ever seen.
- Won't rust or corrode in general or salt water applications.
- Individually Hand Tested using air before it leaves the Hansen Factory.
- Manufactured from non-corrosive, UV Stabilised Materials.
- Potable Water Approved (AS/NZS 4020 drinking water test standard).
- New Zealand Made.
- Available in BSP, NPT & ACME thread configurations.
- Removable Handles for security and varying applications.
- Positive "click" smooth open/close action.
- High Pressure Rating: 16 Bar/235 PSI @ 20°C.
- International colour coded handles; blue for general applications, lilac for grey water applications.
- The Hansen Warranty.
- Will function across a wide range of operating pressures and temperatures.



Product Code	T1 BSPT/NPT (DN*)	T2 BSPT/NPT (DN*)	a mm	b mm	c mm	d mm	e mm
<b>Female Ball Valve Dimensions</b>							
HBV15	15mm (1/2")	15mm (1/2")	98	82	93	56	54
HBV20	20mm (3/4")	20mm (3/4")	98	82	93	56	54
HBV25	25mm (1")	25mm (1")	111	93	104	65	61
HBV32	32mm (1 1/4")	32mm (1 1/4")	122	107	112	76	69
HBV40	40mm (1 1/2")	40mm (1 1/2")	135	124	123	90	79
HBV50	50mm (2")	50mm (2")	146	140	131	106	89
<b>Male/Female Ball Valve Dimensions</b>							
HBV25MF	25mm (1")	25mm (1")	131	93	104	65	61
HBV32MF	32mm (1 1/4")	32mm (1 1/4")	142	107	112	76	69
HBV40MF	40mm (1 1/2")	40mm (1 1/2")	155	124	123	90	79
HBV50MF	50mm (2")	50mm (2")	170	140	131	106	89

\*DN = Normal Bore Size

### Ball Valve Flow Chart



Specifications and sizes may change without prior notice.

## TECHNICAL INFORMATION *Full Flow Ball Valves*

### Full Flow Ball Valve Chemical Resistance Chart

CHEMICAL TYPE	RESISTANCE LEVEL		
	Good	OK But Check Further	BAD Try to Avoid
Drinking Water	X		
Sea Water	X		
Bloat Remedies Diluted		X	
CHEMICAL TYPE	RESISTANCE LEVEL		
Acids Weak			X
Acids Strong			X
Organic Acids Weak		X	
Organic Acids Strong			X
Bases Weak	X		
Bases Strong			X
Bleach			X
CHEMICAL TYPE	RESISTANCE LEVEL		
Automotive Fuel			X
Automotive Lubricants			X
Hydraulic Fluids			X
CHEMICAL TYPE	RESISTANCE LEVEL		
Solvents			X
Hydrocarbons			X
Halogens			X
Alcohols			X
Aldehydes			X
Amines			X
Esters			X
Ethers			X
Ketones			X
CHEMICAL TYPE	RESISTANCE LEVEL		
Detergents	X		
Oxidising Agents			X
Weak Hydrogen Peroxide			X
Ozone			X
Phenols			X
CHEMICAL TYPE	RESISTANCE LEVEL		
Calcium Chloride			X

PLEASE NOTE: This chart is intended as a basic guide only. The resistance to a given chemical will vary with temperature & concentrations. Some chemicals within the group mentioned may result in different rating. For further information, please email us with your specific question.

## Full Flow Ball Valves TECHNICAL INFORMATION

### Ball Valve Parts & Materials

- **Body & End Caps** - Glass Fibre Reinforced Nylon.
- **Handle** - Glass Fibre Reinforced Nylon.
- **Ball** - Polypropylene.
- **Ball Seats & Stem** - Acetal (POM).
- **O-Rings** - EPDM.

### Full Flow Ball Valves Installation Steps

- All pipe work must be adequately supported.
- Use a thread sealant on all threaded connections. We recommend Loctite 5331.
- If you are using chemicals or have any special requirements that you wish to use your Ball Valves for, please don't hesitate to contact us or refer to Chemical Resistance chart on previous page.
- Fittings should be installed as per applicable standards and approvals for pipe and fittings. Failure to complete installation in accordance with applicable standards and approvals may void warranties given by Hansen Products (NZ) Limited in respect to the fitting. We recommend following pipe manufacturers guidelines.



1 (a) Use a teflon tape sealant or



1 (b) thread paste sealant. The right sealant for threaded joints is non-hardening, compatible with plastic and doesn't add slipperiness to encourage over-torquing.



2. Screw pipe or fitting into Ball Valve.



3. Do not over tighten. The recommended way to assemble a Ball Valve is finger tight. Tighten until firm with spanner or pipe grip. One to two turns should be all that is required.

## Full Flow Ball Valve Handle Removal Steps

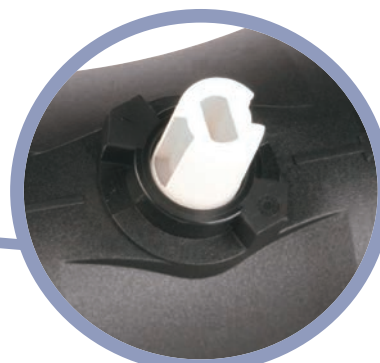


1. Turn handle clockwise slightly.

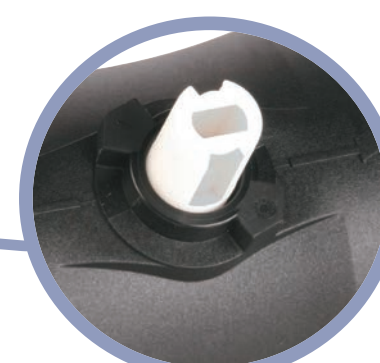


2. Put fingers under handle and pull whilst pushing with thumbs on body of valve.

## Full Flow Ball Valve - Determining is your Valve Open or Closed



Valve is identified as OPEN when centre notch is not parallel with the valve body.



Valve is identified as CLOSED when centre notch is parallel with the valve body.

## Full Flow Ball Valves TECHNICAL INFORMATION

### Ball Valve Maximum Working Pressures

Fitting Size	MAX PRESSURE @ 20 Degrees Celsius
15mm - 50mm	16 Bar (1600 kPa. 235 psi)

Hansen have tested all its products for use with cold water up to a maximum temperature of 60°C (140°F). We do not recommend the use of these products with temperatures higher than 60°C (140°F) as plastic expands due to temperature increases. Hansen cannot guarantee the products will perform when used with temperatures over 60°C (140°F). Hansen products that have failed in temperatures higher than 60°C (140°F) will not be covered by our Hansen Warranty.

### Ball Valve Approvals

**IMCI** – Hansen Ball Valves have been approved by the International Marine Certification Institute to ISO standard 9093-2 and meets the requirements of the Recreational Craft Directive 94/25/EC meaning that it is safe to use in salt water environments.

**AS/NZS 4020** – HANSEN™ Ball Valves have met the requirements of AS/NZS 4020 Australia & New Zealand drinking water test standard.

See our website for further details.

### Ball Valve Frequently Asked Questions

**Q How tight should I tighten my valves?**

**A** Do not over tighten. The right way to tighten a Ball Valve is hand tight plus one to two turns - no more!

**Q Do I need to support my Ball Valve?**

**A** Yes. All pipe work must be adequately supported.

**Q What type of sealant should I use?**

**A** Use a thread sealant on all threaded connections. We recommend Loctite 5331.

**Q Can I use my Hansen Ball Valve with my swimming pool/spa pool set up?**

**A** No, as the high concentration of chlorine used in the water for pools, will attack the material. The fitting material is only suitable for use with domestic water. Hansen products that are used in this application will not be covered by our Hansen Warranty.

**Q Can I use these Ball Valves with metal fittings?**

**A** Yes.

**Q Are Hansen Ball Valves Frost Friendly?**

**A** Hansen Ball Valves are Frost Friendly and have been tested in frost conditions. Results may vary in freezing conditions.

**Q What temperature can I use Hansen fittings at?**

**A** Hansen have tested all its products for use with cold water up to a maximum temperature of 60°C (140°F). We do not recommend the use of these products with temperatures higher than 60°C (140°F) as plastic expands due to temperature increases. Hansen cannot guarantee the products will perform when used with temperatures over 60°C (140°F). Hansen products that have failed in temperatures higher than 60°C (140°F) will not be covered by our Hansen Warranty.

The Ball Valves in this catalogue are protected by intellectual property rights owned by the Hansen group of companies in New Zealand. For more information refer to the legal information section.

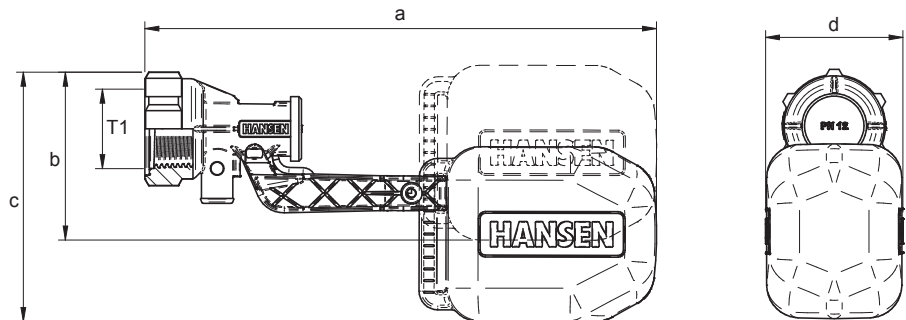
### Mini Fast-Flo Features and Benefits

- Mini compact design suited to confined spaces for automatic filling & maintaining water levels in small feeder bowls, troughs & header tanks.
- Cost effective trough/tank valve - 29 PSI - 9 l/min.
- Ability to attach a diffuser hose to reduce water turbulence & noise in top entry installations & anti-syphon holes to prevent back flow.
- Designed with an adjustable patent pending "Ezi Clamp" arm to make water level adjustment a breeze
- Will fit multiple thread & connection combinations 15 - 50mm.
- Reliable with high and low pressure applications from 0 to 12 bar / 0 to 174 PSI.
- Durable urethane seat, which is reversible.
- Suitable for top entry.
- Manufactured from strong non corrosive UV stabilised materials.

The Mini Fast-Flo Valves in this catalogue are protected by intellectual property rights owned by the Hansen group of companies in New Zealand. For more information refer to the legal information section.

### Mini Fast-Flo Dimensions

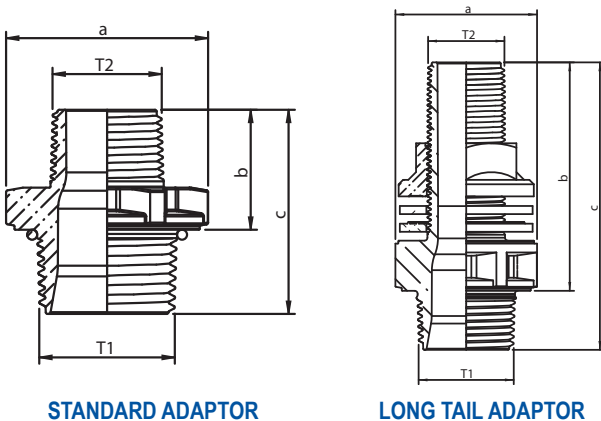
T1 BSPT (DN)	a mm	b mm	c mm	d mm
1" (25mm)	220	73	108	60



MINI FASTFLO

VALVES

### Adaptor Dimensions



Product	T1 BSPT	T2 BSPT	a mm	b mm	c mm
<b>STANDARD ADAPTORS</b>					
15mm Adaptor BSPT	1" (25mm)	1/2" (15mm)	48	34	54
20mm Adaptor BSPT	1" (25mm)	3/4" (20mm)	48	35	55
25mm Adaptor BSPT	1" (25mm)	1" (25mm)	48	38	58
32mm Adaptor BSPT	1" (25mm)	1 1/4" (32mm)	48	32	52
40mm Adaptor BSPT	1" (25mm)	1 1/2" (40mm)	49	39	59
50mm Adaptor BSPT	1" (25mm)	2" (50mm)	61	44	64
<b>LONG TAIL ADAPTORS</b>					
15mm Adaptor BSPT	1" (25mm)	1/2" (15mm)	48	73	93
20mm Adaptor BSPT	1" (25mm)	3/4" (20mm)	48	78	98
25mm Adaptor BSPT	1" (25mm)	1" (25mm)	54	78	98
32mm Adaptor BSPT	1" (25mm)	1 1/4" (32mm)	64	86	106
40mm Adaptor BSPT	1" (25mm)	1 1/2" (40mm)	73	118	138
50mm Adaptor BSPT	1" (25mm)	2" (50mm)	86	119	139

Specifications and sizes may change without prior notice.

## Mini Fast~Flo Parts and Materials

The *Mini Fast~Flo* Trough / Tank Valve is manufactured from Potable Water approved materials

- **Mini Fast~Flo Valve Body** - Acetal.
- **Sleeve Valve Plunger** - Acetal.
- **Mini Fast~Flo Body Cap** - Polypropylene.
- **Sleeve Valve Plunger Seal** - Polyurethane Elastomer.
- **Mini Fast~Flo Arm** - Glass Fibre Reinforced Acetal.
- **Mini Fast~Flo Clamp** - Glass Fibre Reinforced Acetal.
- **Split Pin** - Stainless Steel.
- **Screw** - Stainless Steel.
- **Mini Fast~Flo Float** - High Density Polyethylene.
- **Adaptors** - Glass Fibre Reinforced Nylon.
- **Adaptors O-ring** - EPDM (Ethylene Propylene).

## Mini Fast~Flo Working Pressures

The Hansen Mini Fastflo Valve will operate from 0 to 12 bar / 0 to 174 PSI.

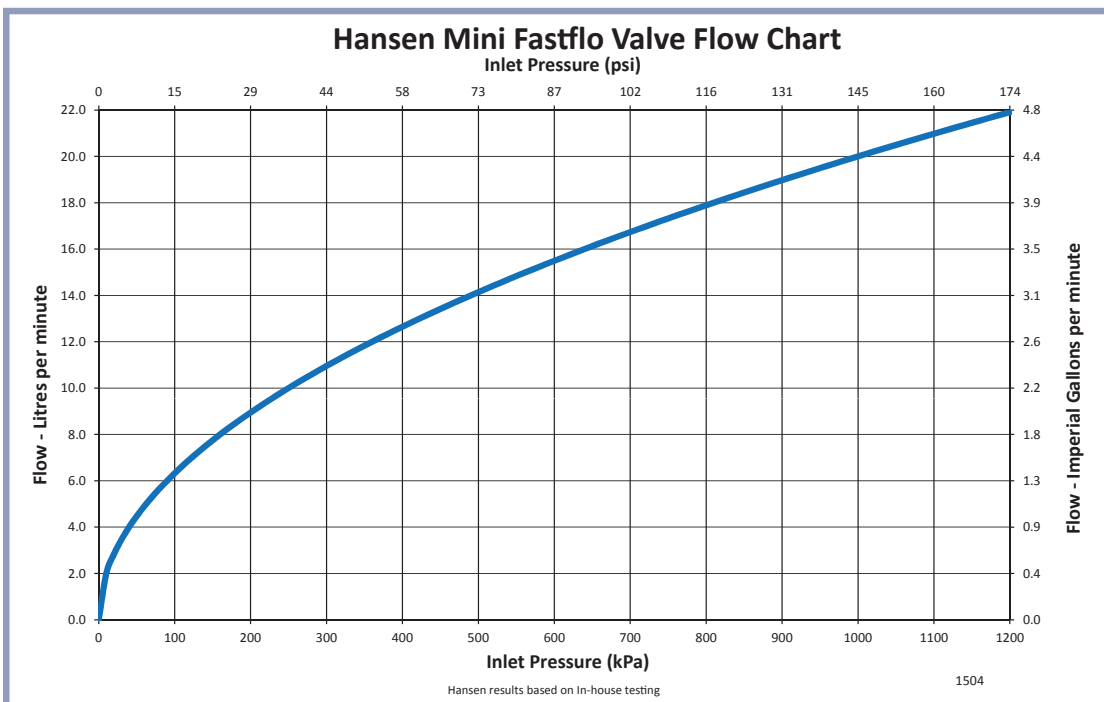
Max Pressure @ 20°C = 12 bar / 174 PSI.

Flow Rate = 29 PSI - 9 l/min.

## Mini Fast~Flo Valve Chemical Resistance Chart

Refer to **Fast~Flo** chemical resistance chart.

## Mini Fast~Flo Valve Flow Chart



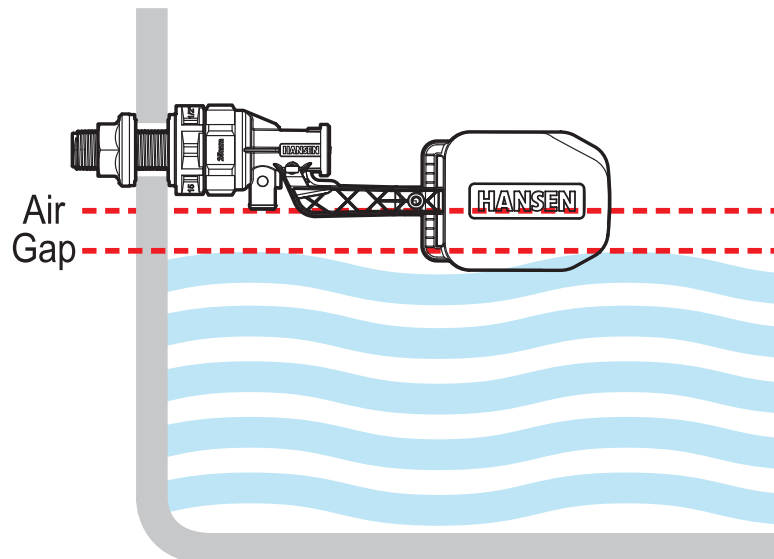


## Mini Fast-Flo Installation Guide

### Trough / Tank Installation:

- Flush pipe lines into water tank or troughs before installing *Mini Fast-Flo* Valve into new system.
- Isolate the water going to the bowl, trough or tank to replace valve in an existing system.
- Thread O-Ring end of correct size Long Tail Adaptor into *Mini Fast-Flo* Valve Body and tighten firmly enough that the O-Ring creates a seal against the *Mini Fast-Flo* Valve Body face. Do not over tighten.

### Mini Fast-Flo Top Entry Basin / Trough / Tank



**NOTE:** If there is an existing or moulded threaded inlet in the trough or tank use a Hansen Standard Adaptor.

### Top Entry Trough / Tank:

- Place the rubber washer on the long tail adaptor with ribs facing out so that the sealing surface is against the bowl/trough/tank wall when adaptor is put through inlet hole.
- On the outside, place the Poly (hard) Washer on the Long Tail Adaptor with the ribs facing the bowl/trough wall. Thread on Adaptor Nut and tighten firmly. Do not over tighten.
- Screw the *Mini Fast-Flo* Float onto the Arm and use the Ezy Clamp to move the float to desired position for a water level that suits your requirements.

## Wall Thickness Guide

Long Tail Adaptor	HMAL15	HMAL20	HMAL25	HMAL32	HMAL40	HMAL50
Tank Wall	14mm	22mm	19mm	24mm	45mm	39mm

Hansen Long Tail Adaptors Maximum Wall Thickness for Tanks when screwed into a Hansen Female Bend.

Hansen results based on In-house testing. \*Results based on each valve manufacturers test literature.

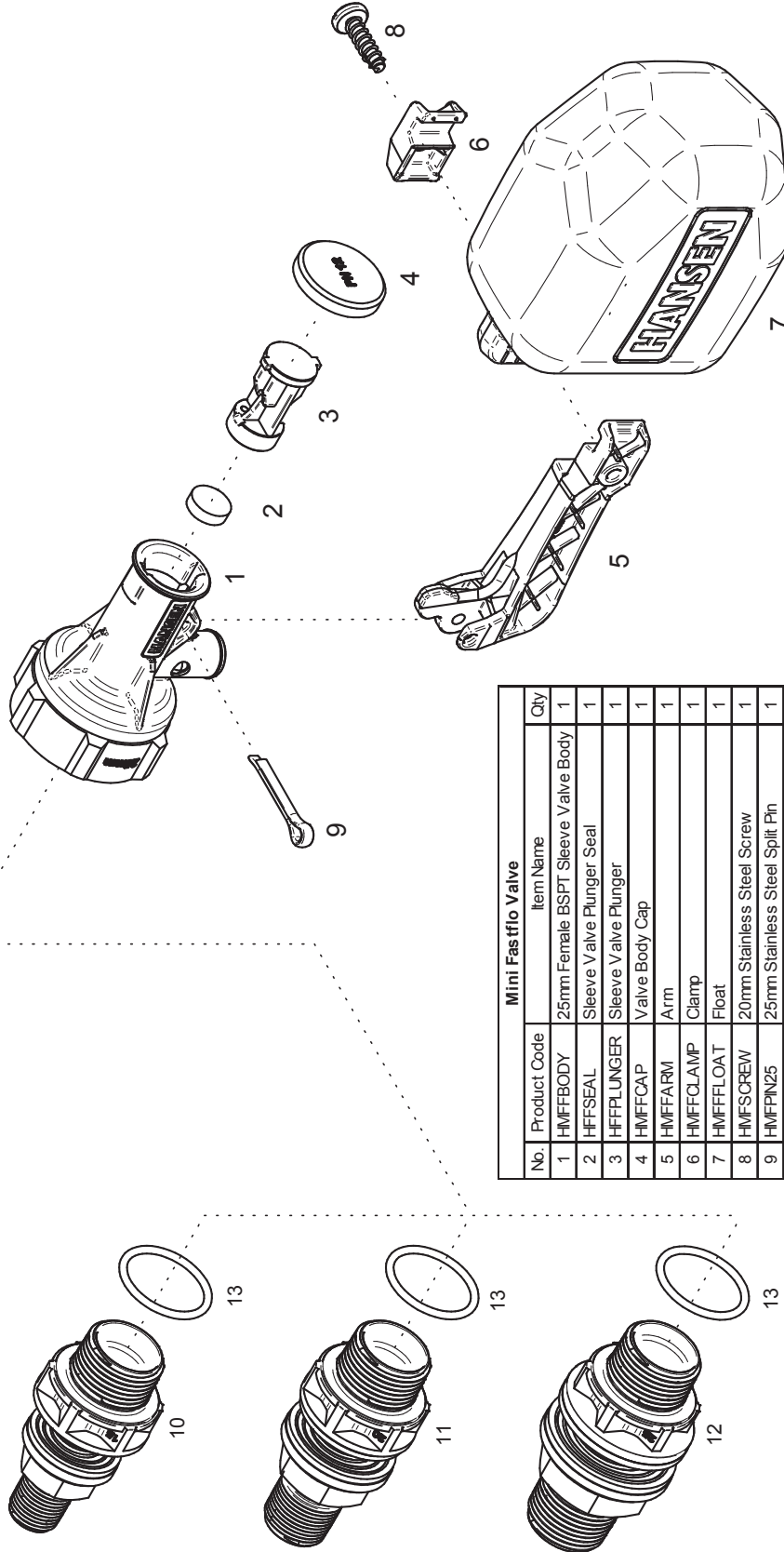


Best Installed Value

Email: info@hansenproducts.com.au  
 Website: www.hansenproducts.com.au

**mini Fast-Flo Valve TECHNICAL INFORMATION**

# Mini Fast-Flo™ Mini Fastflo Valve Assembly Instructions



No.	Product Code	Item Name	Qty
1	HMFFBODY	25mm Female BSPT Sleeve Valve Body	1
2	HFSEAL	Sleeve Valve Plunger Seal	1
3	HFPLUNGER	Sleeve Valve Plunger	1
4	HMFFCAP	Valve Body Cap	1
5	HMFFARM	Arm	1
6	HMFFCLAMP	Clamp	1
7	HMFFLOAT	Float	1
8	HMFFSCREW	20mm Stainless Steel Screw	1
9	HMFFPIN25	25mm Stainless Steel Split Pin	1
10	HMAL15	1/2" BSPT (15mm) Adaptor	1
11	HMAL20	3/4" BSPT (20mm) Adaptor	1
12	HMAL25	1" BSPT (25mm) Adaptor	1
		Adaptor O-Ring - supplied with Adaptor	1

HDB 290 1504

## *Mini Fast-Flo* Frequently Asked Questions

**Q Will the Hansen *Mini Fast-Flo* valve work in my calf shed bowl troughs?**

**A** Yes, the *Mini Fast-Flo* valve was designed as a compact valve for use in small bowls, compact troughs, feeders & header tanks or any situation where the valve space is confined.

**Q The pressure at my compact trough is quite high and the compact float valves I have used either don't last very long or they don't shut off properly. Will the Hansen *Mini Fast-Flo* valve work with high pressure?**

**A** Yes, the *Mini Fast-Flo* valve has the arm pivot point positioned to allow closing at pressures up to 12 bar (174 psi).

**Q I have found the rubber seats in the compact float valves I am using don't last very long, does the Hansen *Mini Fast-Flo* valve use the same rubber seat?**

**A** No, the seat we use in Hansen float valves are urethane which is a very durable and hard material. The seal is also reversible if a foreign body should damage it.

**Q I have a header tank in my house that is very noisy while filling, will the Hansen *Mini Fast-Flo* valve be any quieter?**

**A** The noise while the tank is filling is caused by the high velocity of the water from the valve outlet into the tank. The *Mini Fast-Flo* valve outlet doubles as a spigot so you can attach a length of hose to allow the flow to be placed onto the bottom of the tank eliminating this noise.

**Q What size tank inlet do I need to fit the Hansen *Mini Fast-Flo* valve?**

**A** All the Hansen float valves carry a 25mm (1") female thread on the valve inlet. This gives you a couple of benefits. The valve will fit inlets from 15mm to 50mm when using our range of adaptors. The additional material used at the inlet to form the female thread strengthens the valve at an area that has been identified as a weak point in other brands of valves.

## Fast-Flo Valve TECHNICAL INFORMATION

### Fast-Flo Features and Benefits

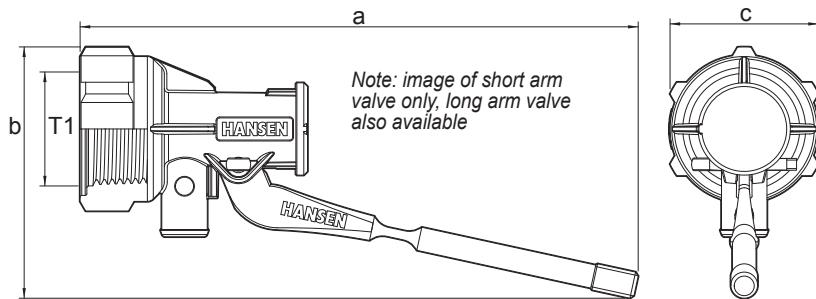
- For automatic filling & maintaining water levels in animal drinking troughs, water storage tanks & water cisterns etc.
- Small compact design suited to confined spaces i.e. small feeder bowls, troughs & header tanks.
- High performance, cost effective trough/tank valve - 29 psi, 34 l/min.
- The Fast-Flo Short Arm Valve has the highest flow of any valve of its size at 500 kPa (73 psi) it will deliver 56 l/min.
- Ability to attach a diffuser hose to reduce water turbulence & noise in top entry installations & Anti-Syphon Holes to prevent back flow.
- Designed with an Ezi Bend brass arm to make water level adjustment a breeze.
- Will fit multiple thread & connection combinations 15 - 50mm.
- Reliable with high and low pressure applications from 0 to 12 bar / 0 to 174 PSI.
- Durable urethane seat, which is reversible.
- Suitable for top or side entry.
- Manufactured from strong, non-corrosive UV stabilised materials.

The Fast-Flo Valves in this catalogue are protected by intellectual property rights owned by the Hansen group of companies in New Zealand. For more information refer to the legal information section.

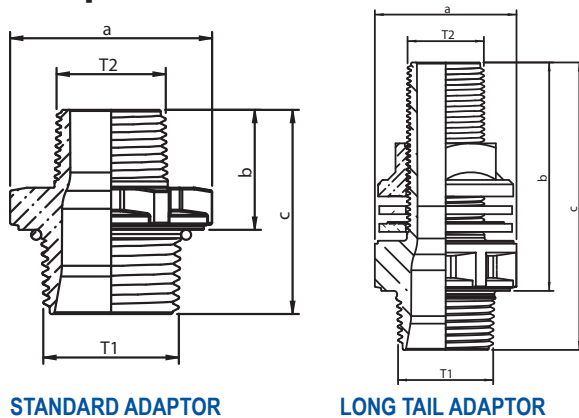
### Fast-Flo Dimensions

T1 BSPT (DN)	Arm Length	a* mm	b* mm	c mm
1" (25mm)	Short	166	75	44
1" (25mm)	Long	244	92	44

\*dimensions are nominal and are with the valve shut/closed.



### Adaptor Dimensions



STANDARD ADAPTOR

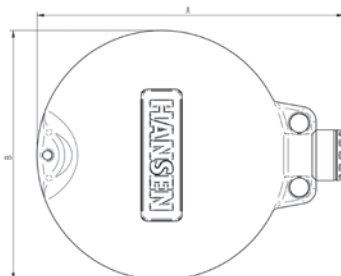
LONG TAIL ADAPTOR

Product	T1 BSPT	T2 BSPT	a mm	b mm	c mm
<b>STANDARD ADAPTORS</b>					
15mm Adaptor BSPT	1" (25mm)	1/2" (15mm)	48	34	54
20mm Adaptor BSPT	1" (25mm)	3/4" (20mm)	48	35	55
25mm Adaptor BSPT	1" (25mm)	1" (25mm)	48	38	58
32mm Adaptor BSPT	1" (25mm)	1 1/4" (32mm)	48	32	52
40mm Adaptor BSPT	1" (25mm)	1 1/2" (40mm)	49	39	59
50mm Adaptor BSPT	1" (25mm)	2" (50mm)	61	44	64
<b>LONG TAIL ADAPTORS</b>					
15mm Adaptor BSPT	1" (25mm)	1/2" (15mm)	48	73	93
20mm Adaptor BSPT	1" (25mm)	3/4" (20mm)	48	78	98
25mm Adaptor BSPT	1" (25mm)	1" (25mm)	54	78	98
32mm Adaptor BSPT	1" (25mm)	1 1/4" (32mm)	64	86	106
40mm Adaptor BSPT	1" (25mm)	1 1/2" (40mm)	73	118	138
50mm Adaptor BSPT	1" (25mm)	2" (50mm)	86	119	139

### Float Dimensions

115mm Threaded Float*	
a mm	b mm
133	108

\*Applies to all float colours



Specifications and sizes may change without prior notice.

## *Fast~Flo* Parts and Materials

The *Fast~Flo* Trough / Tank Valve is manufactured from Potable Water approved materials.

- *Fast~Flo* Valve Body – Acetal.
- Sleeve Valve Plunger – Acetal.
- Valve Body Cap – Polypropylene.
- Sleeve Valve Plunger Seal – Polyurethane Elastomer.
- Arm – Brass.
- Split Pin – Stainless Steel.
- Cord Nut – Glass Fibre Reinforced Nylon.
- Cord – Polyester.

### Adaptors – BSPT

- Adaptor – Glass Fibre Reinforced Nylon.
- Adaptor O-Ring – EPDM (Ethylene Propylene).

### Float

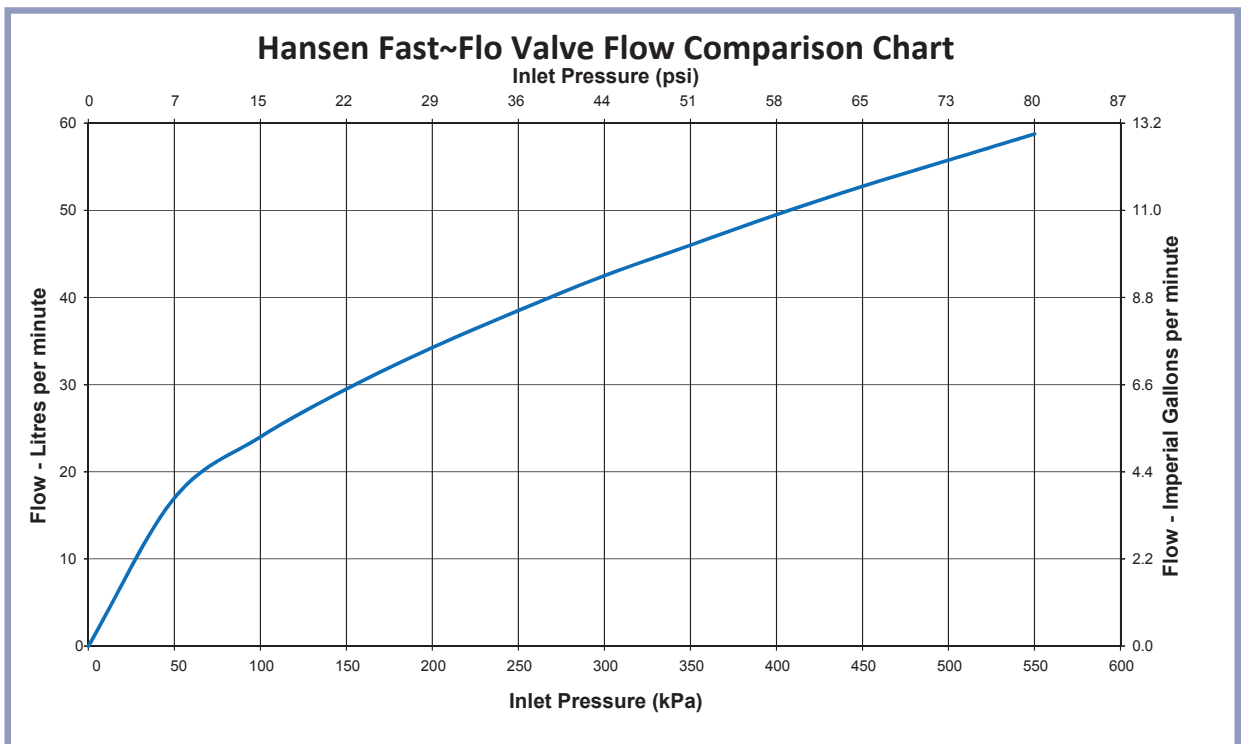
- Float – High Density Polyethylene.
- Thread Insert – Glass Fibre Reinforced Nylon.

## *Fast~Flo* Working Pressures

The Hansen *Fast~Flo* Valve will operate from 0 to 12 Bar / 0 to 174 PSI.

Max Pressure @ 20°C = 12 Bar / 174 PSI.

## *Fast~Flo* Valve Flow Chart



Hansen results based on In-house testing. \*Results based on each valve manufacturers test literature

## Fast-Flo Valve TECHNICAL INFORMATION

### Fast-Flo Valve Chemical Resistance Chart

CHEMICAL TYPE	RESISTANCE LEVEL		
	Good	OK But Check Further	BAD Try to Avoid
Drinking Water	X		
Sea Water	X		
Bloat Remedies Diluted		X	
CHEMICAL TYPE	RESISTANCE LEVEL		
Acids Weak			X
Acids Strong			X
Organic Acids Weak		X	
Organic Acids Strong			X
Bases Weak		X	
Bases Strong			X
Bleach			X
CHEMICAL TYPE	RESISTANCE LEVEL		
Automotive Fuel			X
Automotive Lubricants			X
Hydraulic Fluids			X
CHEMICAL TYPE	RESISTANCE LEVEL		
Solvents			X
Hydrocarbons			X
Halogens			X
Alcohols			X
Aldehydes			X
Amines			X
Esters			X
Ethers			X
Ketones			X
CHEMICAL TYPE	RESISTANCE LEVEL		
Detergents			X
Oxidising Agents			X
Weak Hydrogen Peroxide			X
Ozone			X
Phenols			X
CHEMICAL TYPE	RESISTANCE LEVEL		
Calcium Chloride			X

PLEASE NOTE: This chart is intended as a basic guide only. The resistance to a given chemical will vary with temperature & concentrations. Some chemicals within the group mentioned may result in different rating. For further information, please email us with your specific question.

FASTFLO

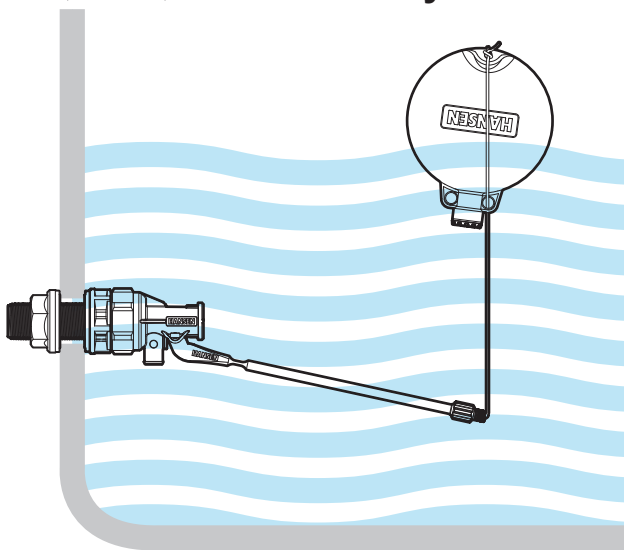
VALVES

## *Fast-Flo* Installation Guide

### Trough / Tank Installation:

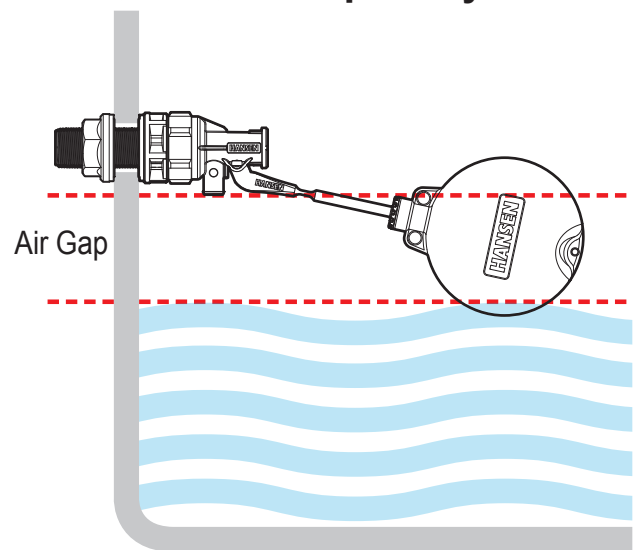
- Flush pipe lines into water tank or troughs before installing *Fast-Flo* Valve into new system.
- Isolate the water going to the trough or tank to replace valve in an existing system.
- Thread O-Ring end of correct Adaptor into *Fast-Flo* Valve Body and tighten firmly enough that the O-Ring creates a seal against the *Fast-Flo* Valve Body face. Do not over tighten.

### *Fast-Flo* Side Entry



**TO CHANGE WATER LEVEL**  
 Adjust length of cord at top of float. Use the nut and cord on Long Arm Valve only

### *Fast-Flo* Top Entry



**NOTE:** If there is an existing or moulded threaded inlet in the trough or tank use a Hansen Standard Adaptor.

### Side Entry Trough / Tank:

- Place the rubber washer on the long tail adaptor with ribs facing out so that the sealing surface is against the trough/tank wall when adaptor is put through inlet hole.
- On the outside, place the Poly (hard) Washer on the Adaptor with the ribs facing the trough/tank wall. Thread on Adaptor Nut and tighten firmly. Do not over tighten.
- Screw the Cord Nut\* onto the *Fast-Flo* Brass arm.
- Thread the Cord\* through the *Fast-Flo* Float. Tie the Cord off to achieve the correct water level.

\* Cord and Nuts only supplied with long arm version.

### Top Entry Trough / Tank:

- Place the rubber washer on the adaptor with ribs facing out so that the sealing surface is against the trough/tank wall when adaptor is put through inlet hole.
- On the outside, place the Poly (hard) Washer on the Adaptor with the ribs facing the trough/tank wall. Thread on Adaptor Nut and tighten firmly. Do not over tighten.
- Screw the *Fast-Flo* Float on to the Brass Arm, bend brass arm at ezi bend.

## Wall Thickness Guide

Long Tail Adaptor	HMAL15	HMAL20	HMAL25	HMAL32	HMAL40	HMAL50
Tank Wall	14mm	22mm	19mm	24mm	45mm	39mm

Hansen Long Tail Adaptors Maximum Wall Thickness for Tanks when screwed into a Hansen Female Bend.

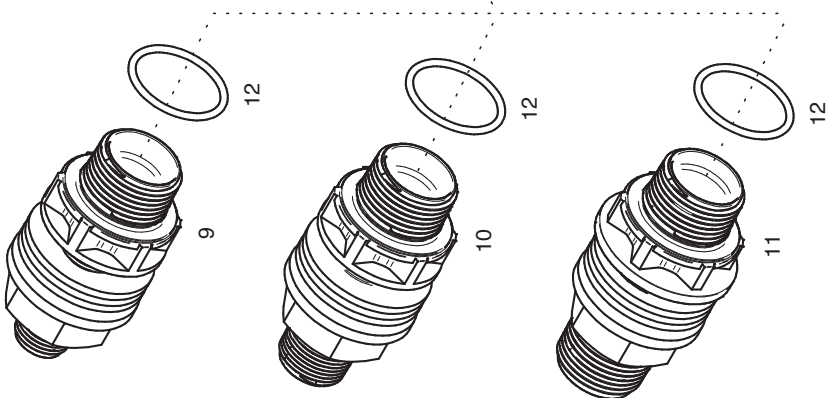
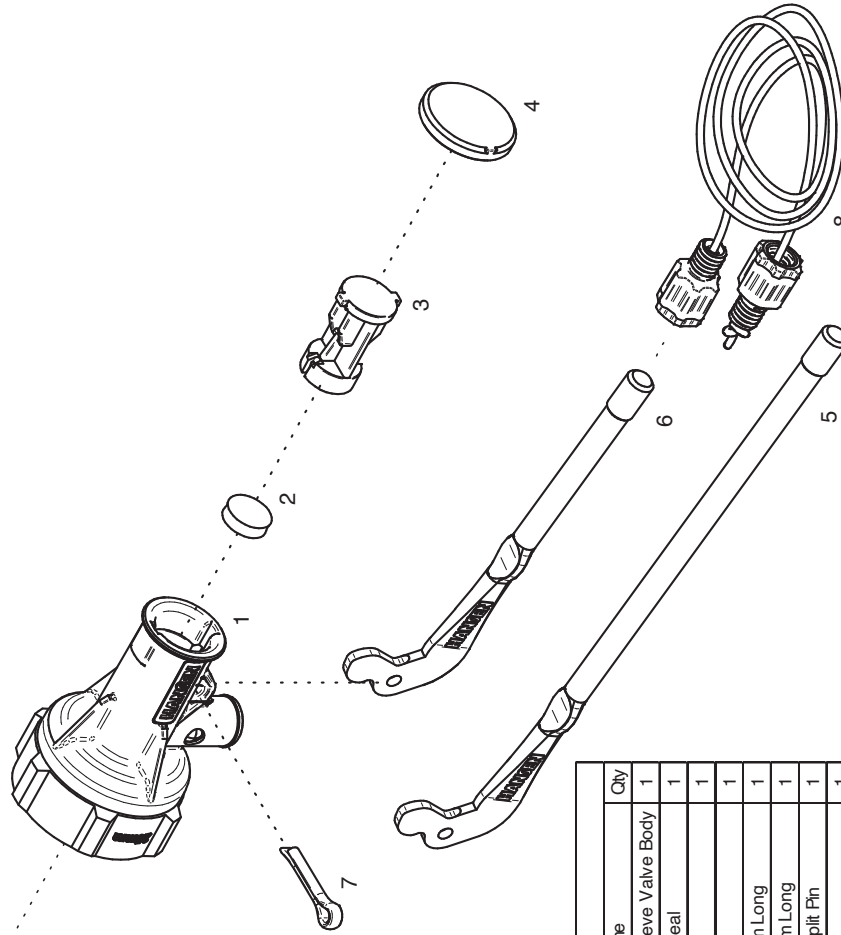
## Fast-Flo Valve TECHNICAL INFORMATION

FASTFLO

VALVES

# Fast-Flo™

## Sleeve Valve Assembly Instructions



Fast-Flo Valve			
No.	Product Code	Item Name	Qty
1	HFFBODY	25mm Female BSPT Sleeve Valve Body	1
2	HFFSEAL	Sleeve Valve Plunger Seal	1
3	HFFLUNGER	Sleeve Valve Plunger	1
4	HFFCAP	Valve Body Cap	1
5	HFFARM	Long Brass Arm 204mm Long	1
6	HFFARMS	Short Brass Arm 124mm Long	1
7	HFFPIN20	20mm Stainless Steel Split Pin	1
8	HCOORD	700mm Cord and Nuts	1
9	HMAL15	1/2" BSPT (15mm) Adaptor	1
10	HMAL20	3/4" BSPT (20mm) Adaptor	1
11	HMAL25	1" BSPT (25mm) Adaptor	1
12	Adaptor O-Ring - supplied w ith A adaptor		1



## *Fast-Flo* Frequently Asked Questions

- Q Will the Hansen *Fast-Flo* valve work in my calf shed bowl troughs?**
- A** Yes, the *Fast-Flo* valve was designed as a compact valve for use in small troughs and header tanks or any situation where the valve space is confined.
- Q I have a compact float valve in a header tank, the flow is too low into the tank and won't keep up with our requirements. I can't fit a larger valve into this tank, if I replace it with a Hansen *Fast-Flo* valve will the flow be any better?**
- A** Yes, the *Fast-Flo* valve has the highest flow of any valve in its class/size. At 500 kPa (73 psi) it will deliver 56 l/min.
- Q The pressure at my header tank is quite high and the compact float valves I have used either don't last very long or they don't shut off properly and I find the overflow running. Will the Hansen *Fast-Flo* valve work with high pressure??**
- A** Yes, the *Fast-Flo* valve has the arm pivot point positioned to allow closing at pressures up to 12 bar (174 psi) with a 115mm float attached.
- Q I have found the rubber seats in the compact float valves I am using don't last very long, does the Hansen *Fast-Flo* valve use the same rubber seat?**
- A** No, the seat we use in Hansen float valves are urethane which is a very durable and hard material. The seal is also reversible if a foreign body should damage it.
- Q I have a header tank in my house that is very noisy while filling, will the Hansen *Fast-Flo* valve be any quieter?**
- A** The noise while the tank is filling is caused by the high velocity of the water from the valve outlet into the tank. The *Fast-Flo* valve outlet doubles as a spigot so you can attach a length of hose to allow the flow to be placed onto the bottom of the tank eliminating this noise.
- Q What size tank inlet do I need to fit the Hansen *Fast-Flo* valve?**
- A** All the Hansen float valves carry a 25mm (1") female thread on the valve inlet. This gives you a couple of benefits. The valve will fit inlets from 15mm to 50mm when using our range of adaptors. The additional material used at the inlet to form the female thread strengthens the valve at an area that has been identified as a weak point in other brands of valves.

## Super-Flo Valve TECHNICAL INFORMATION

### Super-Flo Features and Benefits

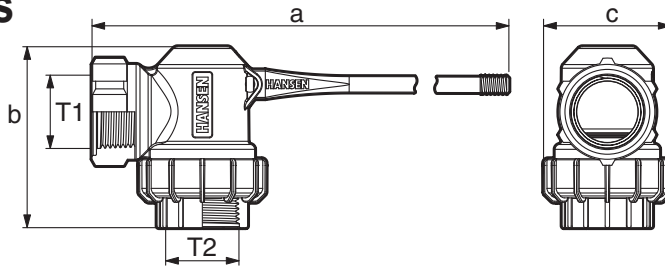
- High Performance and Cost Effective Trough Valve (29 psi, 188 l/min).
- Designed with a 25mm (1") female thread on the valve outlet.
- Supplied with 15, 20 & 25mm adaptors to fit a range of inlets.
- Ability to attach to any number of poly pipe fittings i.e. portable troughs, irrigation systems, animal/feeder/vehicle washdowns, spray tanks.
- Each valve will fit multiple thread and connection combinations.
- Strong, compact design.
- Delivers high volumes of water quickly with unrestricted full flow.
- "Slipper Fit Piston" design to reduce valve sticking.
- Low operating pressure required reducing pumping costs and increasing flow.
- Mini body design to enable easy installation.
- Manufactured from strong, non corrosive UV Stabilised materials.
- Available in Female and Male BSPT, NPT, ACME thread configurations.
- Suitable for High/Low Pressure operations (0 to 12 bar / 0 to 174 PSI).
- Variable open and close action preventing valve bounce and water hammer.
- Super-Flo Piston Valve is supplied with: Plastic or Brass Valve Body, Threaded Adaptors, Brass Arm and Cord and Nuts.\*

\*Cord and nuts only supplied with long arm NB Adaptor configurations vary per pack.

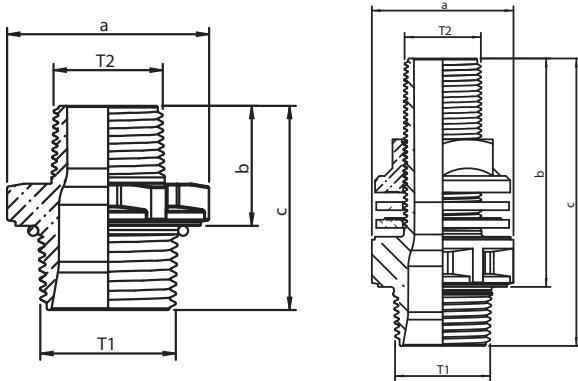
The Super-Flo Valves in this catalogue are protected by intellectual property rights owned by the Hansen group of companies in New Zealand. For more information refer to the legal information section.

### Super-Flo Dimensions

Long Brass Arm				
T1 & T2 BSPT (DN)	a mm Plastic Valve	a mm Brass Valve	b mm	c mm
1" (25mm)	376	371	83	58
Short Brass Arm				
1" (25mm)	250	245	83	58



### Adaptor Dimensions



STANDARD ADAPTOR

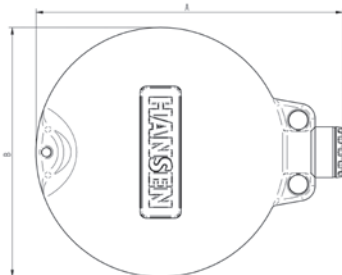
LONG TAIL ADAPTOR

Product	T1 BSPT	T2 BSPT	a mm	b mm	c mm
STANDARD ADAPTORs					
15mm Adaptor BSPT	1" (25mm)	1/2" (15mm)	48	34	54
20mm Adaptor BSPT	1" (25mm)	3/4" (20mm)	48	35	55
25mm Adaptor BSPT	1" (25mm)	1" (25mm)	48	38	58
32mm Adaptor BSPT	1" (25mm)	1 1/4" (32mm)	48	32	52
40mm Adaptor BSPT	1" (25mm)	1 1/2" (40mm)	49	39	59
50mm Adaptor BSPT	1" (25mm)	2" (50mm)	61	44	64
LONG TAIL ADAPTORs					
15mm Adaptor BSPT	1" (25mm)	1/2" (15mm)	48	73	93
20mm Adaptor BSPT	1" (25mm)	3/4" (20mm)	48	78	98
25mm Adaptor BSPT	1" (25mm)	1" (25mm)	54	78	98
32mm Adaptor BSPT	1" (25mm)	1 1/4" (32mm)	64	86	106
40mm Adaptor BSPT	1" (25mm)	1 1/2" (40mm)	73	118	138
50mm Adaptor BSPT	1" (25mm)	2" (50mm)	86	119	139

### Float Dimensions

115mm Threaded Float*	
a mm	b mm
133	108

\* Applies to all float colours



Specifications and sizes may change without prior notice.

## Super-Flo Parts and Materials

The *Super-Flo* Trough Valve is manufactured from Potable Water approved materials.

- **Super-Flo Piston Valve Body** – Plastic or Brass.
- **Split Pin** – Stainless Steel.
- **Slipper Fit Piston** – Acetal.
- **Piston O-Ring** – Potable Water Approved.
- **Valve Body Washer Seal** – Thermoplastic Polyurethane Elastomer.
- **Valve Body Cap Nut** – Glass Fibre Reinforced Nylon.
- **Arm** – Brass.
- **Cord Nuts** – Glass Fibre Reinforced Nylon.
- **Cord** – Polyester.

### Adaptors

- **Adaptor** – Glass Fibre Reinforced Nylon.
- **Adaptor O-Ring** – EPDM (Ethylene Propylene).

### Float

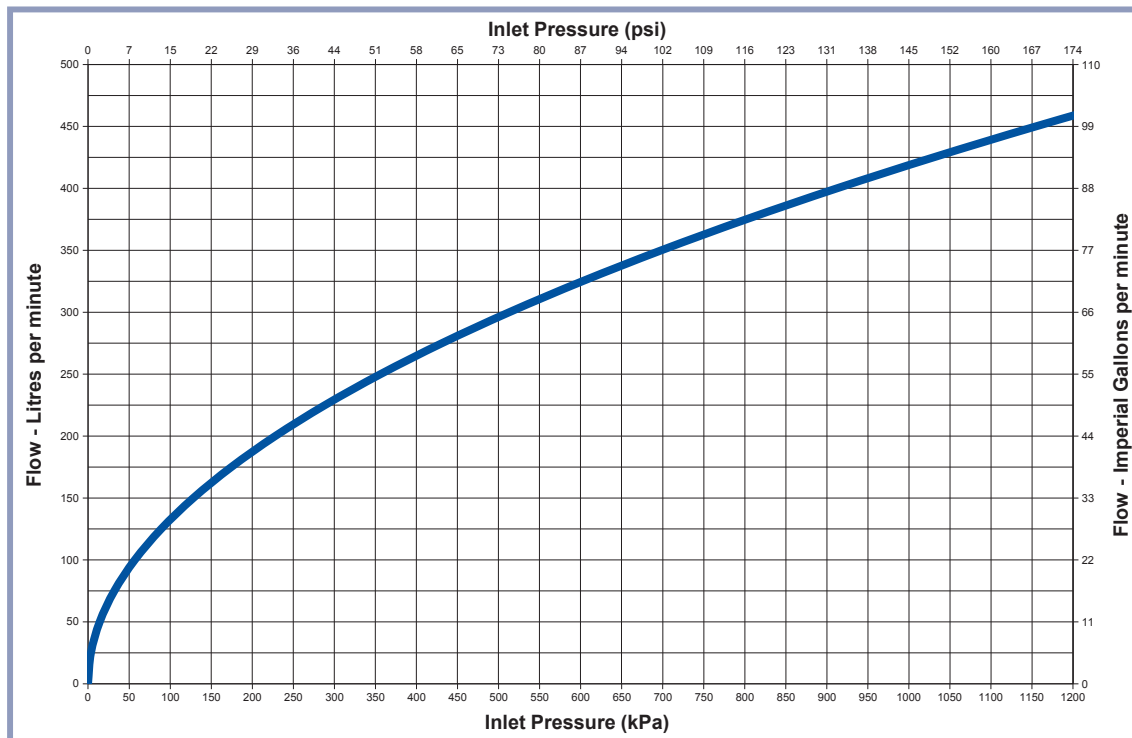
- **Float** – High Density Polyethylene.
- **Thread Insert** – Glass Fibre Reinforced Nylon.

## Super-Flo Working Pressures

The Hansen *Super-Flo* Valve will operate from 0 to 12 Bar / 0 - 174 PSI.

Max Pressure @ 20°C = 12 Bar / 174 PSI.

## Super-Flo Plastic Valve Flow Chart



Hansen results prepared using the results from independent tests carried out by The University of Auckland, New Zealand.

\*Results based on each valve manufacturers test literature.

## Super-Flo Valve TECHNICAL INFORMATION

### Super-Flo Plastic Valve Chemical Resistance Chart

CHEMICAL TYPE	RESISTANCE LEVEL		
	Good	OK But Check Further	BAD Try to Avoid
Drinking Water	X		
Sea Water	X		
Bloat Remedies Diluted		X	
CHEMICAL TYPE	RESISTANCE LEVEL		
Acids Weak			X
Acids Strong			X
Organic Acids Weak		X	
Organic Acids Strong			X
Bases Weak	X		
Bases Strong			X
Bleach			X
CHEMICAL TYPE	RESISTANCE LEVEL		
Automotive Fuel			X
Automotive Lubricants			X
Hydraulic Fluids			X
CHEMICAL TYPE	RESISTANCE LEVEL		
Solvents			X
Hydrocarbons			X
Halogens			X
Alcohols			X
Aldehydes			X
Amines			X
Esters			X
Ethers			X
Ketones			X
CHEMICAL TYPE	RESISTANCE LEVEL		
Detergents	X		
Oxidising Agents			X
Weak Hydrogen Peroxide			X
Ozone			X
Phenols			X
CHEMICAL TYPE	RESISTANCE LEVEL		
Calcium Chloride			X

PLEASE NOTE: This chart is intended as a basic guide only. The resistance to a given chemical will vary with temperature & concentrations. Some chemicals within the group mentioned may result in different rating. For further information, please email us with your specific question.

SUPERFLO

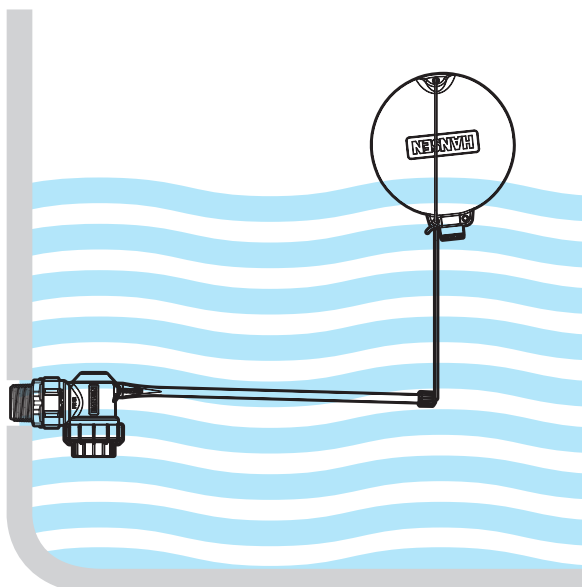
VALVES

## Super-Flo Installation Guide

### Trough Installation:

- Flush pipe lines into water troughs before installing *Super-Flo* Valve into new system.
- Isolate the water trough to replace valve in existing scheme.
- Put thread tape on adaptor side that does not have O-ring and start the adaptor into trough inlet.

### Super-Flo Side Entry



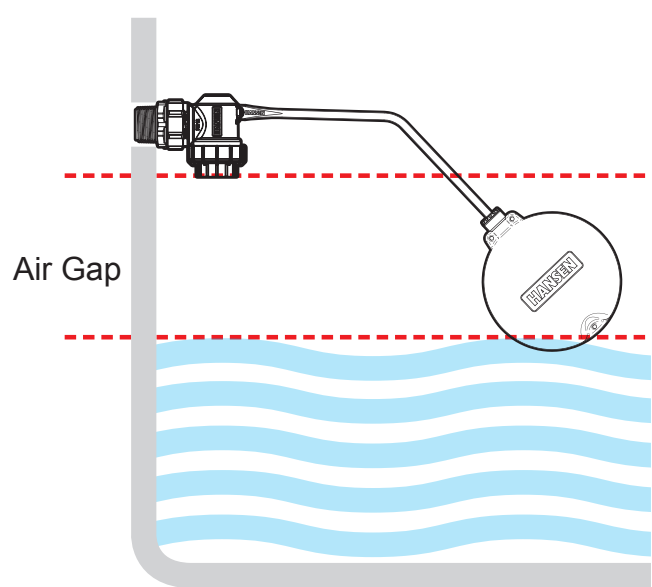
TO CHANGE WATER LEVEL  
Adjust length of cord at top of float

### Side Entry Trough:

- Thread *Super-Flo* Valve onto adaptor & tighten.
- Screw the nut with cord onto the *Super-Flo* Brass arm.
- Thread cord through the *Super-Flo* float. Tie the cord off to achieve the correct on/off and water level.

\*Cord and nuts only supplied with long arm

### Super-Flo Top Entry



### Top Entry Trough:

- Thread *Super-Flo* Valve onto adaptor & tighten.
- Screw the float onto the brass arm.
- Hold the body of the valve at arm entry point.
- Bend brass arm to achieve the correct on/off and water level.

## Wall Thickness Guide

Long Tail Adaptor	HMAL15	HMAL20	HMAL25	HMAL32	HMAL40	HMAL50
Tank Wall	14mm	22mm	19mm	24mm	45mm	39mm

Hansen Long Tail Adaptors Maximum Wall Thickness for Tanks when screwed into a Hansen Female Bend.

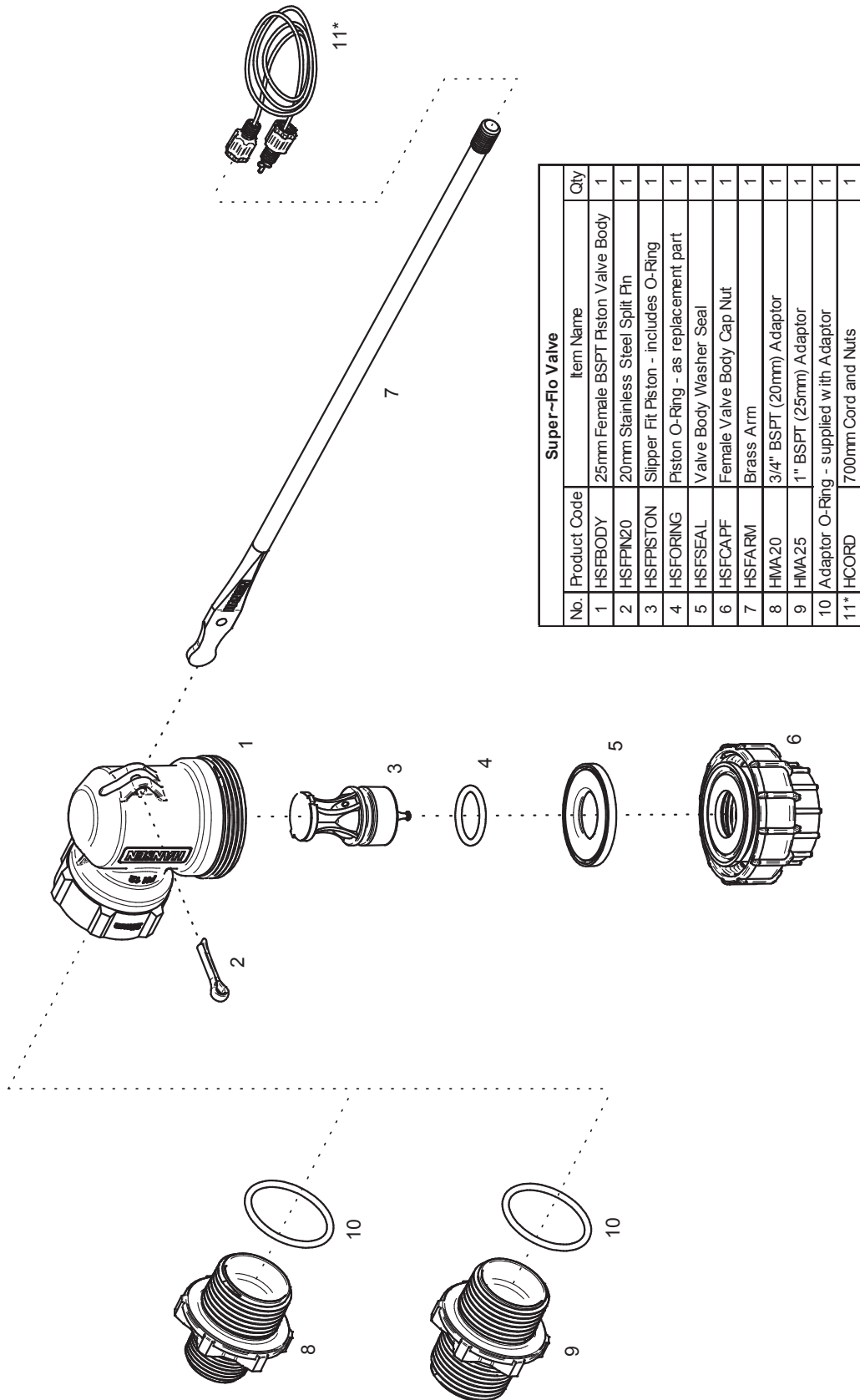
## Super-Flo Valve TECHNICAL INFORMATION

SUPERFLO

VALVES

# Super-Flo

## Piston Valve Assembly Instructions



Super-Flo Valve			
No.	Product Code	Item Name	Qty
1	HSFBODY	25mm Female BSPT Piston Valve Body	1
2	HSFPIN20	20mm Stainless Steel Split Pin	1
3	HSFPISTON	Slipper Fit Piston - includes O-Ring	1
4	HSFORING	Piston O-Ring - as replacement part	1
5	HSFSEAL	Valve Body Washer Seal	1
6	HSFCAPF	Female Valve Body Cap Nut	1
7	HSFARM	Brass Arm	1
8	HMA20	3/4" BSPT (20mm) Adaptor	1
9	HMA25	1" BSPT (25mm) Adaptor	1
10	Adaptor O-Ring - supplied with Adaptor		1
11*	HCORD	700mm Cord and Nuts	1

\* Not supplied with short arm Superflo's.

## *Super-Flo* Frequently Asked Questions

- Q My troughs have both 20mm & 25mm threaded inlets, does your Hansen *Super-Flo* Valve come in both sizes?**
- A** Yes, the Hansen *Super-Flo* Valve comes with the required components to install in 20mm or 25mm threaded inlets. This of course means you only have to buy one valve for all sized inlets.
- Q Will the higher flow cost me more to run my pump?**
- A** No, because the Hansen *Super-Flo* Valve is more efficient than what you are used to. The reduced operating pressure required will equate to higher flows at lower pressures at your pump which in turn will reduce pumping time and cost.
- Q At present I get valve bounce in my troughs, will your valve stop this?**
- A** Yes, valve bounce is created from high flows at high pressures, because our Hansen *Super-Flo* Valve delivers higher flows than other valves it will effectively reduce line pressure which in return will reduce the incidences of this problem by also reducing water hammer.
- Q I have problems with having to forever clean my valves as my water supply can get dirty at times, how will the Hansen *Super-Flo* Valve handle these conditions?**
- A** We have designed the Hansen *Super-Flo* Valve to work in either clean or dirty water situations.
- Q What pressure can I run my Hansen *Super-Flo* Valve at?**
- A** The Hansen *Super-Flo* Valve will operate from 0.2Bar to 12Bar.
- Q The valves I have at present have a tendency to jam open or closed costing me time and either a bog around my trough or no available water for my stock, will your valve stop this problem?**
- A** Yes, the Hansen *Super-Flo* Valve has a new patent pending "Slipper Fit Piston" design seal assembly to minimise this problem.
- Q At certain times of the year I need to run portable troughs in my paddocks, is it possible to run these off my existing *Super-Flo* trough valve?**
- A** Yes, the *Super-Flo* trough valve incorporates a 25mm (1") female thread on the valve outlet which you can utilise the spare adaptors that come with this valve to enable you to attach any number of poly pipe fittings to the *Super-Flo* trough valve. This off take can be used for any number of farm applications.

## Max-Flo Valve TECHNICAL INFORMATION

### Max-Flo Features and Benefits

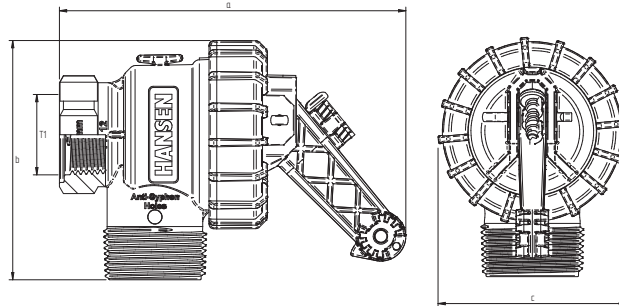
- High Performance, Cost Effective Trough/Tank Valve (29 psi, 570 l/min).
- Suitable for Side, Bottom and Top entry.
- Strong, compact design.
- Delivers high volumes of water quickly with unrestricted full flow.
- Patent pending\* "Self Cleaning Pilot" for use in clean/dirty water.
- Low operating pressure required, reducing pumping costs and increasing flow.
- Manufactured from strong, non-corrosive UV stabilised materials.
- Mini body design to enable easy installation.
- Available in Female and Male BSPT, NPT and ACME thread configurations.
- Suitable for High/Low Pressure operations - from 0.2 Bar to 12 Bar.
- Variable open and close action preventing valve bounce and water hammer.
- *Max-Flo* Diaphragm Valve is supplied with: Complete Valve Body, Adaptors, Adjustable Extension Arm, 100mm Blue Flanged Float and 650mm Cord.

\*NB Adaptor Configurations vary per pack.

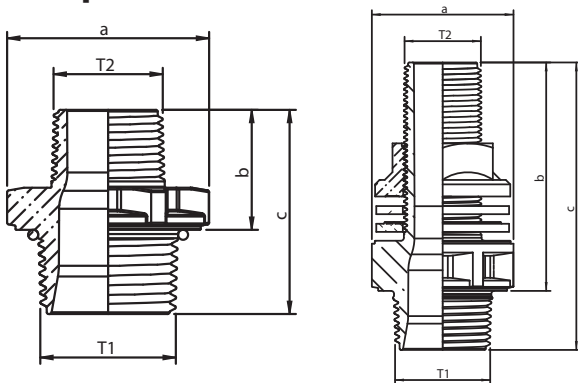
The Max-Flo Valves in this catalogue are protected by intellectual property rights owned by the Hansen group of companies in New Zealand. For more information refer to the legal information section.

### Max-Flo Dimensions

T1 BSPT (DN)	a mm	b mm	c mm
1" (25mm)	144	98	76



### Adaptor Dimensions



STANDARD ADAPTOR

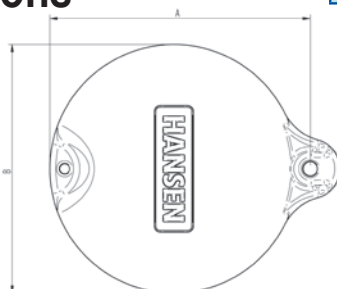
LONG TAIL ADAPTOR

Product	T1 BSPT	T2 BSPT	a mm	b mm	c mm
<b>STANDARD ADAPTORS</b>					
15mm Adaptor BSPT	1" (25mm)	1/2" (15mm)	48	34	54
20mm Adaptor BSPT	1" (25mm)	3/4" (20mm)	48	35	55
25mm Adaptor BSPT	1" (25mm)	1" (25mm)	48	38	58
32mm Adaptor BSPT	1" (25mm)	1 1/4" (32mm)	48	32	52
40mm Adaptor BSPT	1" (25mm)	1 1/2" (40mm)	49	39	59
50mm Adaptor BSPT	1" (25mm)	2" (50mm)	61	44	64
<b>LONG TAIL ADAPTORS</b>					
15mm Adaptor BSPT	1" (25mm)	1/2" (15mm)	48	73	93
20mm Adaptor BSPT	1" (25mm)	3/4" (20mm)	48	78	98
25mm Adaptor BSPT	1" (25mm)	1" (25mm)	54	78	98
32mm Adaptor BSPT	1" (25mm)	1 1/4" (32mm)	64	86	106
40mm Adaptor BSPT	1" (25mm)	1 1/2" (40mm)	73	118	138
50mm Adaptor BSPT	1" (25mm)	2" (50mm)	86	119	139

### Float Dimensions

100mm Threaded Float	
a mm	b mm
104	100

\* Applies to both Blue and Hi Viz Floats



Specifications and sizes may change without prior notice



### *Max-Flo* Parts and Materials

The *Max-Flo* Diaphragm Valve is manufactured from Potable Water approved materials.

- **Diaphragm Valve Body** – Glass Fibre Reinforced Nylon.
- **Diaphragm** – Nitrile Rubber.
- **Guide Bush** – Glass Fibre Reinforced Nylon.
- **Spring** – Stainless Steel.
- **Split Pin** – Stainless Steel.
- **Valve Body Cap** – Acetal.
- **Guide Pin** – Stainless Steel.
- **Valve Body Cap Nut** – Glass Fibre Reinforced Nylon.
- **Arm Seal** – Thermoplastic Polyurethane Elastomer.
- **Short Control Arm** – Glass Fibre Reinforced Nylon.
- **Screws** – Stainless Steel.
- **Adjustable Extension Arm** – Glass Fibre Reinforced Nylon.
- **Cord** – Polyester.

#### Adaptors

- **Adaptor** – Glass Fibre Reinforced Nylon.
- **Adaptor O-Ring** – EPDM (Ethylene Propylene).

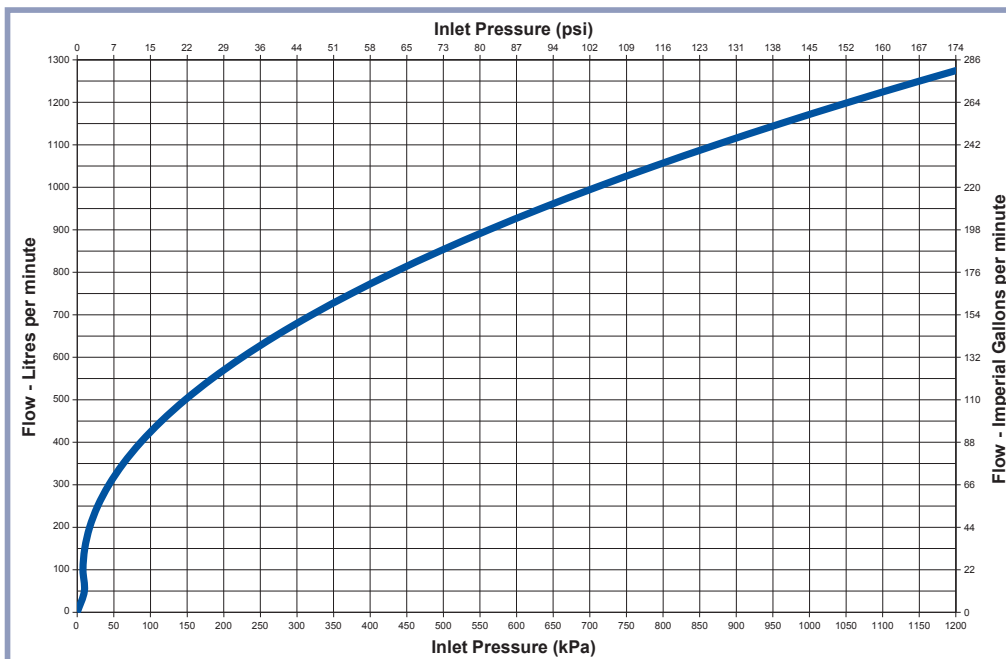
#### Float

- **Float** – High Density Polyethylene.
- **Thread Insert** – Glass Fibre Reinforced Nylon.

### *Max-Flo* Working Pressures

The Hansen *Max-Flo* Valve will operate from 0.2 to 12 Bar / 2.9 - 174 PSI.  
 Max Pressure @ 20°C = 12 Bar / 174 PSI.

### *Max-Flo* Valve Flow Chart



Hansen results prepared using the results from independent tests carried out by The University of Auckland, New Zealand.

\*Results based on each valve manufacturers test literature.

## Max-Flo Valve TECHNICAL INFORMATION

### Max-Flo Chemical Resistance Chart

CHEMICAL TYPE	RESISTANCE LEVEL		
	Good	OK But Check Further	BAD Try to Avoid
Drinking Water	X		
Sea Water	X		
Bloat Remedies Diluted		X	
CHEMICAL TYPE	RESISTANCE LEVEL		
Acids Weak			X
Acids Strong			X
Organic Acids Weak		X	
Organic Acids Strong			X
Bases Weak	X		
Bases Strong			X
Bleach			X
CHEMICAL TYPE	RESISTANCE LEVEL		
Automotive Fuel			X
Automotive Lubricants			X
Hydraulic Fluids			X
CHEMICAL TYPE	RESISTANCE LEVEL		
Solvents			X
Hydrocarbons			X
Halogens			X
Alcohols			X
Aldehydes			X
Amines			X
Esters			X
Ethers			X
Ketones			X
CHEMICAL TYPE	RESISTANCE LEVEL		
Detergents	X		
Oxidising Agents			X
Weak Hydrogen Peroxide			X
Ozone			X
Phenols			X
CHEMICAL TYPE	RESISTANCE LEVEL		
Calcium Chloride			X

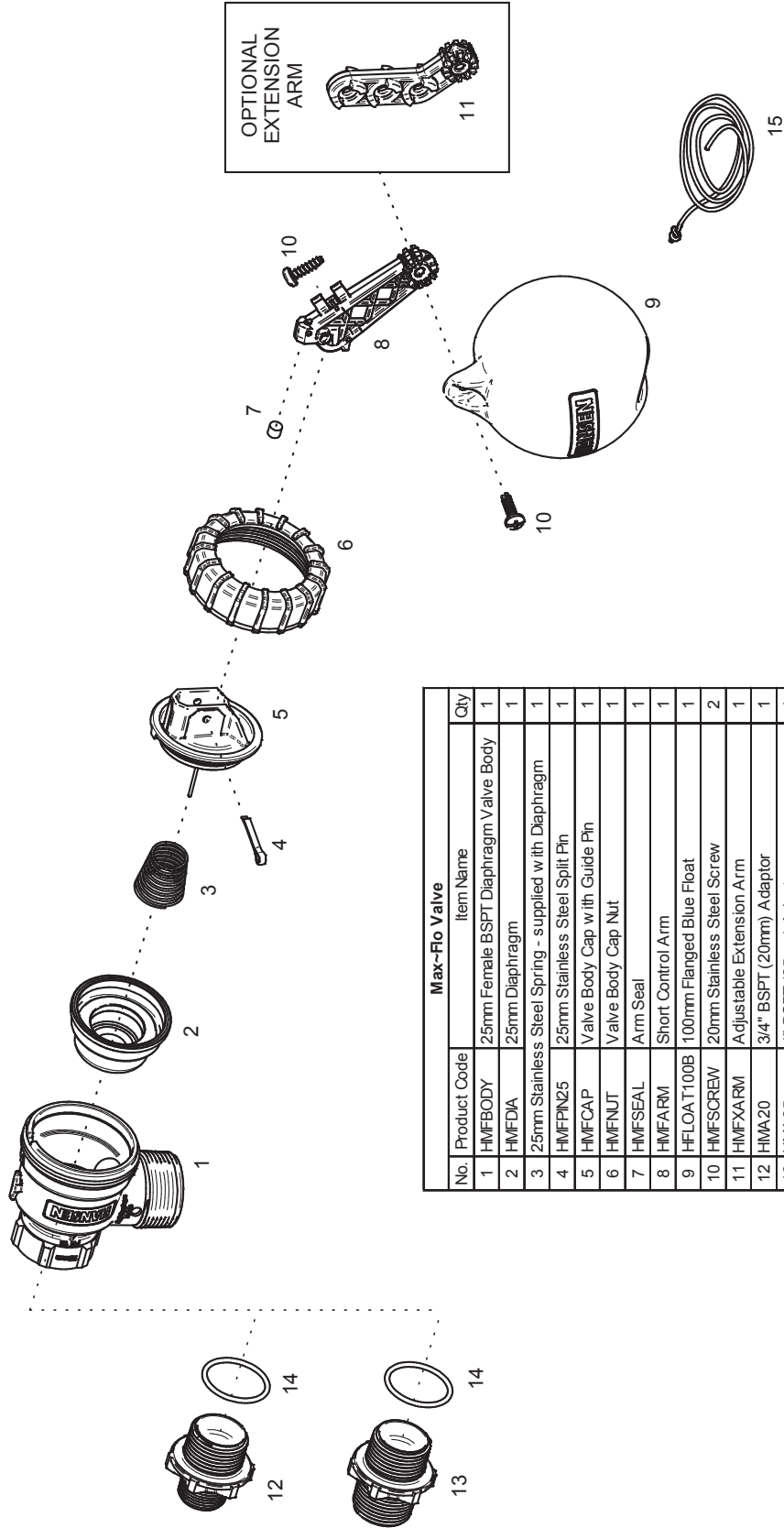
PLEASE NOTE: This chart is intended as a basic guide only. The resistance to a given chemical will vary with temperature & concentrations. Some chemicals within the group mentioned may result in different rating. For further information, please email us with your specific question.

MAXFLO

VALVES

## TECHNICAL INFORMATION *Max-Flo Valve*

# Max-Flo Diaphragm Valve Assembly Instructions



Max-Flo Valve			
No.	Product Code	Item Name	Qty
1	HMFBDY	25mm Female BSPT Diaphragm Valve Body	1
2	HMFDA	25mm Diaphragm	1
3		25mm Stainless Steel Spring - supplied with Diaphragm	1
4	HMFBN25	25mm Stainless Steel Split Pin	1
5	HMFCAP	Valve Body Cap with Guide Pin	1
6	HMFNUT	Valve Body Cap Nut	1
7	HMFSEAL	Arm Seal	1
8	HMFARM	Short Control Arm	1
9	HFLOA T100B	100mm Flanged Blue Float	1
10	HMFSCREW	20mm Stainless Steel Screw	2
11	HMFXARM	Adjustable Extension Arm	1
12	HMA20	3/4" BSPT (20mm) Adaptor	1
13	HMA25	1" BSPT (25mm) Adaptor	1
14		A adaptor O-Ring - supplied with adaptor	1
15	HMFCORD	650mm Cord	1

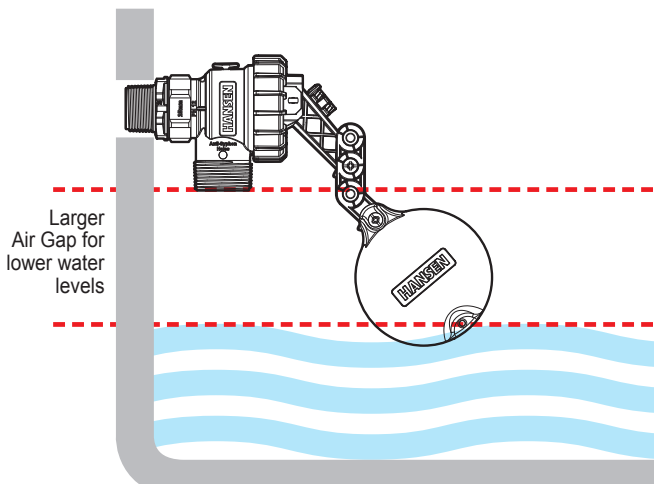
## Max-Flo Valve TECHNICAL INFORMATION

### Max-Flo Installation Guide

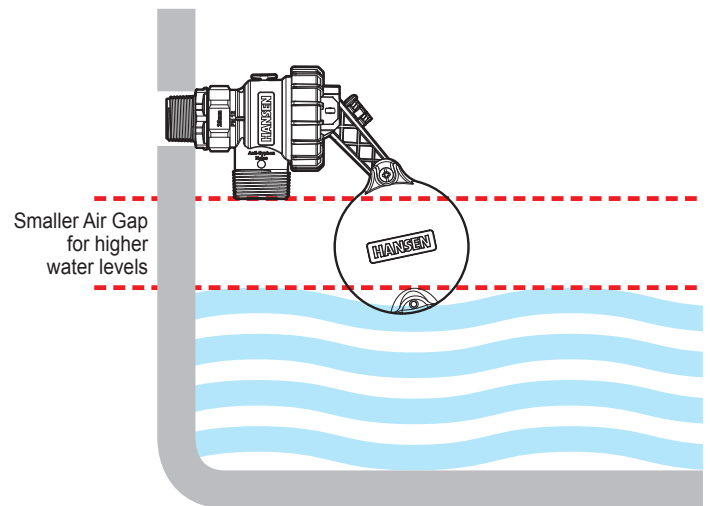
#### Trough Installation:

- Flush lines into water troughs before installing *Max-Flo* Valve into new system.
- Isolate water trough to replace valve in existing scheme.
- Put thread tape on adaptor side that does not have O-ring and start adaptor into trough inlet.

#### Max-Flo Top Entry



With extension arm for use with lower water levels



#### Top Entry Trough:

- Thread *Max-Flo* Valve onto adaptor and tighten.
- Determine the on/off point and water level required.
- Use supplied Adjustable Extension Arm when a larger air gap is required.
- Adjust the float and arms to suit required angle.

#### Wall Thickness Guide

Long Tail Adaptor	HMAL15	HMAL20	HMAL25	HMAL32	HMAL40	HMAL50
Tank Wall	14mm	22mm	19mm	24mm	45mm	39mm

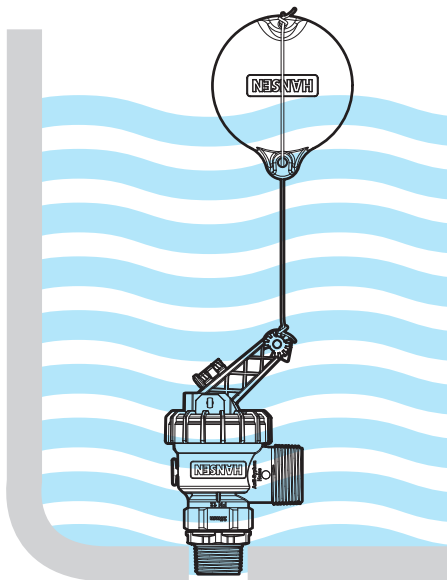
Hansen Long Tail Adaptors Maximum Wall Thickness for Tanks when screwed into a Hansen Female Bend.

### *Max-Flo* Installation Diagrams

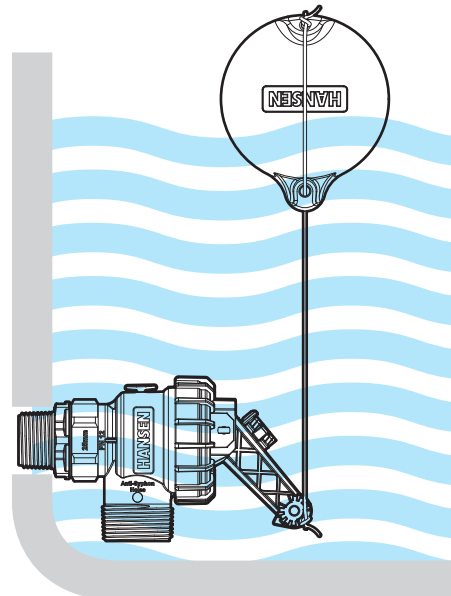
#### Trough Installation:

- Flush lines into water troughs before installing *Max-Flo* Valve into new system.
- Isolate water trough to replace valve in existing scheme.
- Put thread tape on adaptor side that does not have O-ring and start adaptor into trough inlet.

#### *Max-Flo* Bottom Entry



#### *Max-Flo* Side Entry



TO CHANGE ON/OFF & WATER LEVEL Adjust the length of the cord at the top of the float

#### Bottom or Side Entry Trough:

- Thread *Max-Flo* Valve onto adaptor and tighten.
- Thread cord through the float, adjust cord to required on/off level then tie off.

#### Tank Installation:

- Flush lines into water tank before installing *Max-Flo* Valve into system.
- Put thread tape on adaptor side that does not have O-ring and start adaptor into tank inlet above or below water.
- Thread *Max-Flo* Valve onto adaptor and tighten.
- If the *Max-Flo* Valve is installed below water, thread cord through the float, adjust cord to required on/off level then tie off.

## Max-Flo Valve TECHNICAL INFORMATION

### Max-Flo Frequently Asked Questions

**Q Can I use the Hansen Max-Flo Valve as a top entry valve with an air gap?**

**A** Yes, the Hansen Max-Flo Valve can be installed at the top, side or bottom entry as all components come with each valve.

**Q My troughs have both 20mm & 25mm threaded inlets. Does the Hansen Max-Flo Valve come in both sizes?**

**A** Yes, the Hansen Max-Flo Valve comes with the required components to install in 20mm or 25mm threaded inlets. This of course means you only have to buy one valve for all sized inlets.

**Q Will the higher flow cost me more to run my pump?**

**A** No, because the Hansen Max-Flo Valve is more efficient than what you are used to. The reduced operating pressure required will equate to higher flows at lower pressures at your pump which in turn will reduce pumping time and cost.

**Q At present I get valve bounce in my troughs, will the Hansen Max-Flo Valve stop this?**

**A** Yes, valve bounce is created from high flows at high pressures, the Hansen Max-Flo Valve opens and closes slower than other valves so will reduce incidences of this problem.

**Q I have problems with having to constantly clean my valves as my water supply can get dirty at times, how will your valve handle these conditions?**

**A** Our patent pending "Self Cleaning Pilot" will increase durability and suitability in dirty water situations.

**Q At present I have noticed some shuddering & noise in my pipelines when my pump starts & stops, will your valve stop this?**

**A** Yes, this is called water hammer, we have designed the Hansen Max-Flo Valve to open & close slower than other valves effectively varying the flows at these times to minimise the chance of water hammer.

**Q What pressure can I run my Hansen Max-Flo Valve at?**

**A** The Hansen Max-Flo Valve will operate from 0.2Bar to 12Bar.

## TECHNICAL INFORMATION *Leveller Valve*

### *Leveller Valve* Features and Benefits

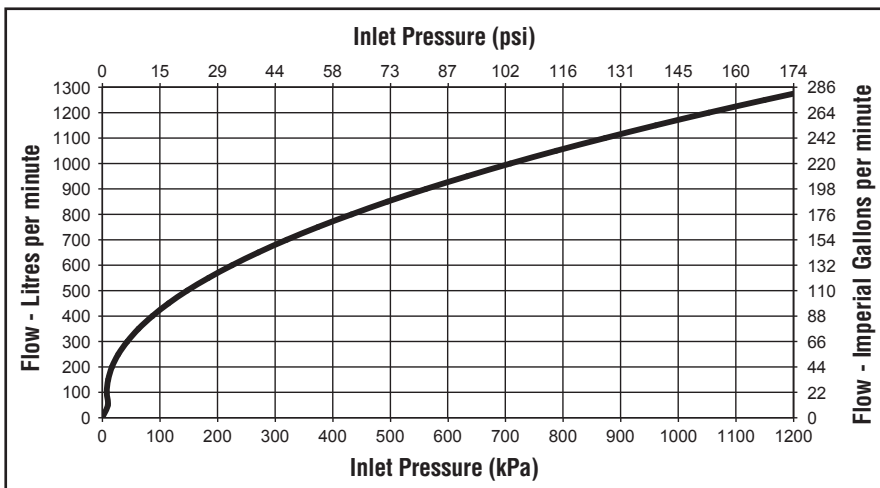
- High performance cost effective Reservoir/Tank valve.
- Adjustable Minimum and Maximum on off control (50mm - 2.5 metre).
- Suitable for High/Low pressures (0.2 Bar - 12 Bar).
- Delivers high volumes of water quickly with unrestrictive full flow (1275 l/min at 12 Bar).
- Patent pending "self cleaning pilot" for use in clean/dirty water conditions.
- Soft open and close action, preventing valve bounce and water hammer.
- Strong, compact design.
- Threaded outlet for use with a diffuser tube, ideal for high flows, eliminating turbulence.
- Punch out anti-syphon holes for multi tank filling or diffuser installations.
- Manufactured from strong, non-corrosive UV stabilised materials.
- Valve supplied with Glass Fibre Reinforced Nylon valve body and 32, 40, 50mm Standard Adaptors, Leveller Control, 115mm Weighted HiViz Threaded Ball, 140mm Blue Threaded Float, 2.5 Metre Cord.

### *Leveller Valve* Working Pressures

The Hansen *Leveller Valve* will operate from 0.2 to 12 Bar / 2.9 - 174 PSI.

Max Pressure @ 20°C = 12 Bar / 174 PSI.

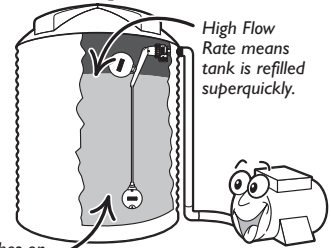
### *Leveller Valve* Flow Chart



## Protect Your Pump

### ✓ Lengthen Your Pumps Life

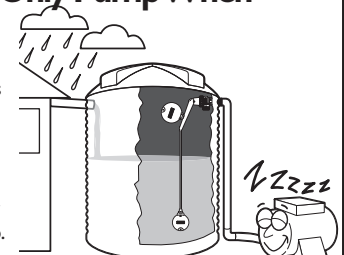
A well cared for pump is a happy pump! Adding the Hansen *Leveller Valve* to your system means the tank only refills when it gets low. No more on/off cycling of your pump equals less work, less pump maintenance and a more reliable system.



Pump only switches on when the tank is low

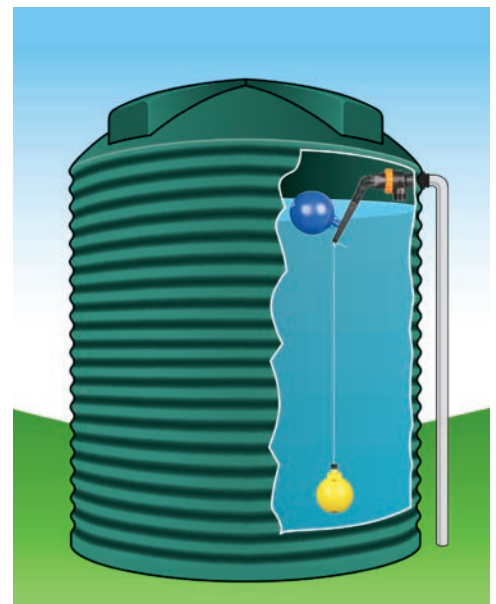
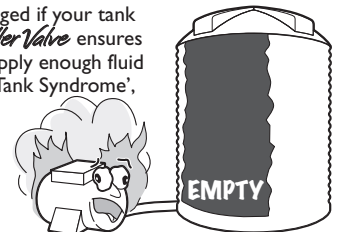
### ✓ Rain Harvest & Only Pump When You Need To

The Hansen *Leveller Valve* is the perfect choice for systems that combine Rain Harvesting with Supplementary Pumping from alternative sources. The pump only ever needs to work when rain levels are low and the tank needs topping up.



### ✓ Prevent Dry Tank Syndrome

Pumps can be severely damaged if your tank runs dry! The Hansen *Leveller Valve* ensures that the pump can always supply enough fluid to the tank to prevent 'Dry Tank Syndrome', preventing significant repair costs as a result of a lack of supply.



## Leveller Valve TECHNICAL INFORMATION

### Leveller Valve Chemical Resistance Chart

CHEMICAL TYPE	RESISTANCE LEVEL		
	Good	OK But Check Further	BAD Try to Avoid
Drinking Water	X		
Sea Water	X		
Bloat Remedies Diluted		X	
CHEMICAL TYPE	RESISTANCE LEVEL		
Acids Weak			X
Acids Strong			X
Organic Acids Weak		X	
Organic Acids Strong			X
Bases Weak	X		
Bases Strong			X
Bleach			X
CHEMICAL TYPE	RESISTANCE LEVEL		
Automotive Fuel			X
Automotive Lubricants			X
Hydraulic Fluids			X
CHEMICAL TYPE	RESISTANCE LEVEL		
Solvents			X
Hydrocarbons			X
Halogens			X
Alcohols			X
Aldehydes			X
Amines			X
Esters			X
Ethers			X
Ketones			X
CHEMICAL TYPE	RESISTANCE LEVEL		
Detergents	X		
Oxidising Agents			X
Weak Hydrogen Peroxide			X
Ozone			X
Phenols			X
CHEMICAL TYPE	RESISTANCE LEVEL		
Calcium Chloride			X

PLEASE NOTE: This chart is intended as a basic guide only. The resistance to a given chemical will vary with temperature & concentrations. Some chemicals within the group mentioned may result in different rating. For further information, please email us with your specific question.

LEVELLER

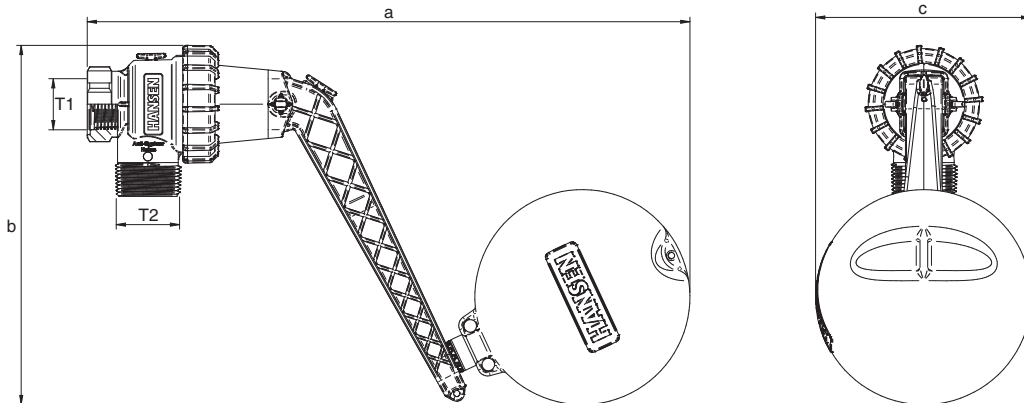
VALVES



## TECHNICAL INFORMATION *Leveller Valve*

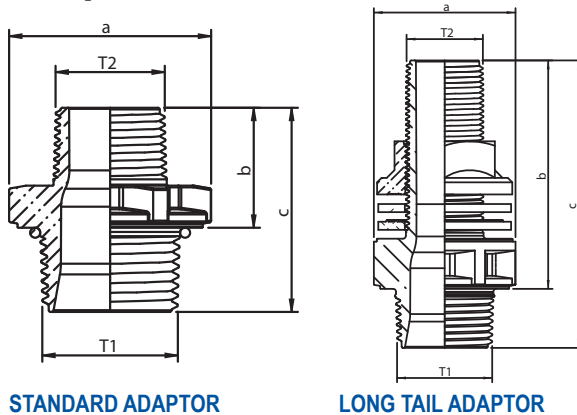
### *Leveller Valve* Dimensions

T1 BSPT (DN)	T2 BSPT	a mm	b mm	c mm
1" (25mm)	1 1/4" (32mm)	393	232	140



The *Leveller Valve* is manufactured from Potable Water approved materials.

### Adaptor Dimensions



STANDARD ADAPTOR

LONG TAIL ADAPTOR

Product	T1 BSPT	T2 BSPT	a mm	b mm	c mm
<b>STANDARD ADAPTORS</b>					
15mm Adaptor BSPT	1" (25mm)	1/2" (15mm)	48	34	54
20mm Adaptor BSPT	1" (25mm)	3/4" (20mm)	48	35	55
25mm Adaptor BSPT	1" (25mm)	1" (25mm)	48	38	58
32mm Adaptor BSPT	1" (25mm)	1 1/4" (32mm)	48	32	52
40mm Adaptor BSPT	1" (25mm)	1 1/2" (40mm)	49	39	59
50mm Adaptor BSPT	1" (25mm)	2" (50mm)	61	44	64
<b>LONG TAIL ADAPTORS</b>					
15mm Adaptor BSPT	1" (25mm)	1/2" (15mm)	48	73	93
20mm Adaptor BSPT	1" (25mm)	3/4" (20mm)	48	78	98
25mm Adaptor BSPT	1" (25mm)	1" (25mm)	54	78	98
32mm Adaptor BSPT	1" (25mm)	1 1/4" (32mm)	64	86	106
40mm Adaptor BSPT	1" (25mm)	1 1/2" (40mm)	73	118	138
50mm Adaptor BSPT	1" (25mm)	2" (50mm)	86	119	139

### *Leveller Valve* Materials

- **Diaphragm Valve Body** – Glass Fibre Reinforced Nylon.
- **Diaphragm** – Nitrile Rubber.
- **Guide Bush** – Glass Fibre Reinforced Nylon.
- **Guide Retainer** – Acetal.
- **Springs** – Stainless Steel.
- **Split Pin** – Stainless Steel.
- **Valve Body Cap** – Acetal.
- **Guide Pin** – Stainless Steel.
- **Valve Body Cap Nut** – Glass Fibre Reinforced Nylon.
- **Pilot Seal** – Nitrile Rubber.
- **Float Arm** – Glass Fibre Reinforced Nylon.
- **Housing** – Glass Fibre Reinforced Nylon.
- **Roller** – Acetal.
- **Plunger Housing** – Glass Fibre Reinforced Nylon.

- **Pivot Tube** – Acetal.
- **Clamp Block** – Glass Fibre Reinforced Nylon.
- **Clamp Bolt** – Stainless Steel.
- **Cord Nut** – Glass Fibre Reinforced Nylon.
- **Cord** – Polyester.

#### Adaptors

- **Adaptor** – Glass Fibre Reinforced Nylon.
- **Adaptor O-Ring** – EPDM (Ethylene Propylene).

#### Float

- **Float** – High Density Polyethylene.
- **Thread Insert** – Glass Fibre Reinforced Nylon.

#### Weight

- **Weight** – Stainless Steel.

Specifications and sizes may change without prior notice

## Leveller Valve TECHNICAL INFORMATION

### Leveller Valve Installation Instructions

**Pack Includes:**

- Pre assembled Valve & Arm
- 2.4 Metre Cord
- Blue Float
- HiViz Weighted Ball
- 32mm, 40mm, 50mm Adaptors

**IMPORTANT:** Before connecting Leveller Valve to water system ensure lines are flushed and free of debris.

<p><b>Step 1a</b></p> <p>Measure the existing inlet thread to determine which size adaptor is required ie: 32mm, 40mm, 50mm.</p>	<p><b>Step 1b</b></p> <p>From the supplied adaptors choose the appropriate size.</p>	<p><b>Step 2a</b></p> <p>Screw selected adaptor into Leveller Valve Body (O-Ring facing to body).</p>	<p><b>Step 2b</b></p> <p>Inspect inside of tank to determine if there is enough clearance to install assembled valve. If yes, go to step 6. If not, go to step 3.</p>
<p><b>Step 3a - Not Enough Clearance</b></p> <p>Remove the Leveller Valve Orange nut, arm assembly &amp; rubber diaphragm from valve.</p>	<p><b>Step 3b</b></p> <p>Screw Leveller Valve body into threaded inlet.</p>	<p><b>Step 4a</b></p> <p>Re-assemble Leveller Valve, insert rubber diaphragm into valve body.</p>	<p>Guide Leveller Valve assembly into Leveller Valve body ensuring guide pin is in pilot hole. <b>Do Not Puncture Diaphragm!</b></p>
<p><b>Step 5a</b></p> <p>Ensure leveller arm is hanging down in a vertical position and that valve body is horizontal to the tank wall.</p>	<p><b>Step 5b</b></p> <p>Tighten Orange Nut firmly!</p>	<p><b>Step 6</b> <b>Decide on Minimum &amp; Maximum water levels.</b> See step 9 for minimum level guidance before proceeding through this step.</p> <p>Screw blue float onto Leveller Valve Arm for OFF position. The float can be moved up and down the arm. <b>This determines Maximum level of water.</b></p>	
<p><b>Step 7a</b></p> <p>Screw cord nut into HiViz Weighted Ball.</p>	<p><b>Step 7b</b></p> <p>Ensure the HiViz Weighted Ball is filled with water and not hindered by any obstructions.</p>	<p><b>Step 8a</b></p> <p>Thread the string through the end of arm hole, then tie off at cleat to set Minimum level.</p>	<p><b>Step 8b</b></p> <p>Remove excess string, leaving enough for future fine tuning.</p>
<p><b>Step 9</b></p> <p><b>NOTE:</b> The HiViz Weighted Ball must be off the bottom of the tank and most importantly above tank outlet.</p>		<p><b>Step 10a</b></p> <p>Ensure valve is operating in open/closed position as required. <b>Note:</b> the Leveller arm may be in the closed position but the valve may take up to 8 seconds to fully close. <b>Do not force arm closed.</b></p>	<p><b>Step 10b</b></p> <p>Fine tuning can be achieved by adjusting the Blue Float up and down the arm and adjusting the length of the string for the on position.</p>

LEVELLER

VALVES

## *Leveller Valve* Frequently Asked Questions

**Q** I have noticed my pump switching on and off rapidly at times, will your *Leveller Valve* stop this?

**A** Yes, this is called cycling and can drastically reduce the life of your pump. The Hansen *Leveller Valve* is designed to control your pump safely by eliminating pump cycling and providing an adjustable water differential depth in your tank.

**Q** I only irrigate from my tank at night and have a timer on my bore pump. It will only fill my tank at night when I'm irrigating but I still find my bore pump is cycling when I'm irrigating. Will the Hansen *Leveller Valve* help in this situation?

**A** Yes, you will find the reservoir valve you are using at the moment is only supplying a flow close to your irrigation demand, with the Hansen *Leveller Valve* the flow delivery will be much higher and will allow your bore pump to run for less time as well as setting a differential in the tank to enable your pump to shut off for sensible periods.

**Q** In my dairy shed at peak water demand times I find my pump is cycling. As demand increases they run continuously and often cannot keep up, resulting in no water in troughs and other areas in my shed. Will your *Leveller Valve* fix this issue?

**A** Yes, as long as your pumps are sized correctly to cover your peak demand the Hansen *Leveller Valve* will help by delivering a much higher flow at a much lower pressure e.g. 400kPa (58 psi) = 772 l/min (170 gpm).

**Q** For years now I have had problems with filling my tanks as my water supply can get very dirty at times. I believe I have purchased every valve on the market and all have let me down at some point, will the Hansen *Leveller Valve* finally fix my problem?

**A** Yes, our range of HiFlo Valves are designed to handle dirty water. With the Hansen *Leveller Valve* which is based on our diaphragm valves it is unique in that it has a pin that cleans the pilot hole in the diaphragm every time it opens and closes. In addition to that the gap between the diaphragm and the valve body when open is a huge 14mm further reducing potential blockages.

## Rapid-Flo Valve & Slo-Flo Valve TECHNICAL INFORMATION

### Difference Between Rapid-Flo & Slo-Flo Rain Relief Valves

The *Rapid-Flo* Valve functions at unrestricted full flow as indicated in the flow chart below.  
The *Slo-Flo* Valve is restricted to 2 litres/min.

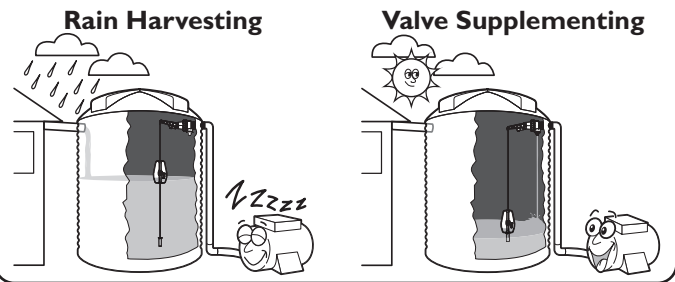
If the tanks rain water drops below where the green float is set to, the valve opens to supplement the tanks water from an alternative source such as the mains water supply. However it will only increase the water level by either 50mm or 100mm depending on the setting.

### Rapid-Flo and Slo-Flo Rain Relief Valve Features and Benefits

- Maintains a minimum water level in rainwater tanks.
- Suitable for high/low pressures (0.2 Bar – 12 Bar).
- Max pressure @ 20°C = 12 Bar / 174 PSI.
- Patent pending “self cleaning pilot” for use in clean/dirty water conditions.
- Soft open and close action preventing valve bounce and water hammer.
- Strong, compact design.
- Manufactured from strong, non-corrosive UV stabilised materials.

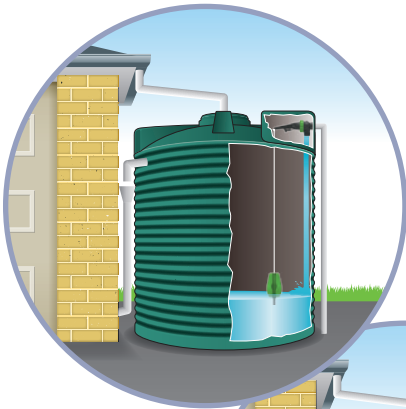
### Rain Harvest & Only Pump When You Need To

The Hansen *Rapid-Flo* & *Slo-Flo* valves are the perfect choice for systems that combine Rain Harvesting with Supplementary Pumping from alternative sources. The pump only ever needs to work when rain levels are low and the tank needs a part fill.

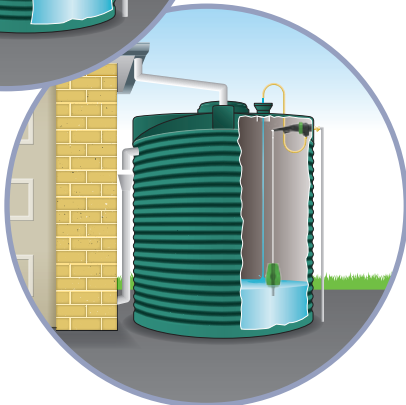


RAIN RELIEF VALVE

VALVES



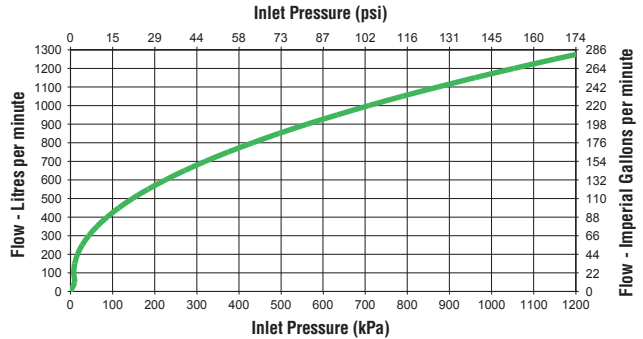
*Rapid-Flo*  
Rain Relief Valve



*Slo-Flo*  
Rain Relief Valve

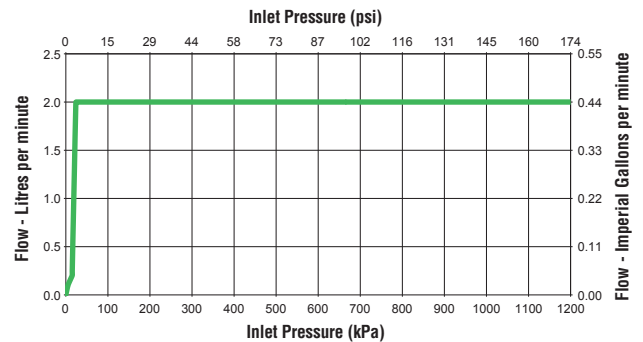
Note: Strainer and Gooseneck not included.

### Rapid-Flo Rain Relief Valve Working Pressures



Delivers high volumes of water quickly with unrestrictive full flow (1275 l/min at 12 Bar).

### Slo-Flo Rain Relief Valve Working Pressures



Restricted to 2.0 l/min to meet the Sydney Water guidelines.

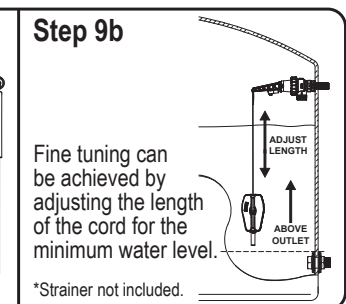
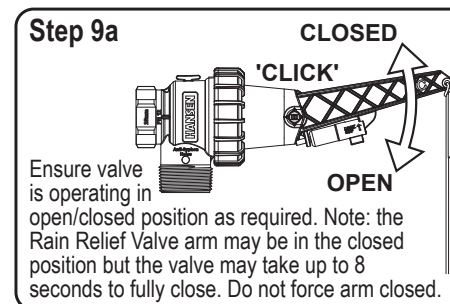
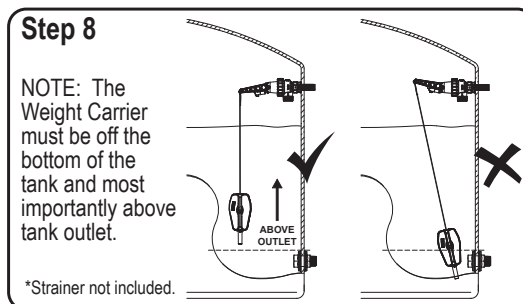
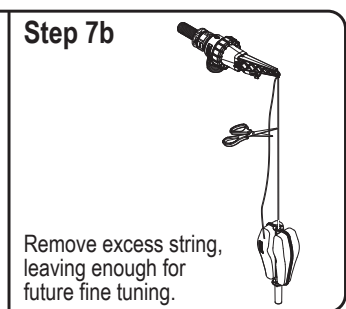
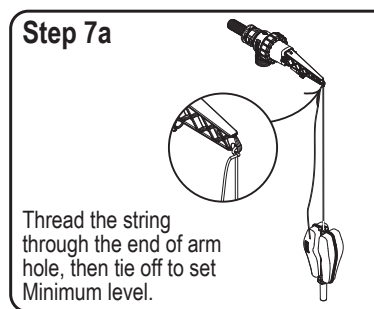
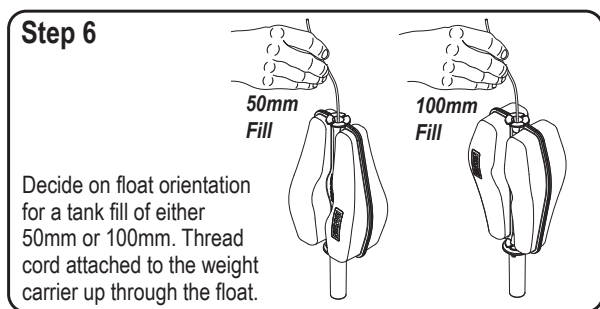
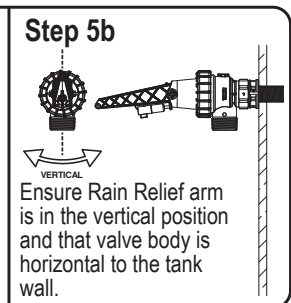
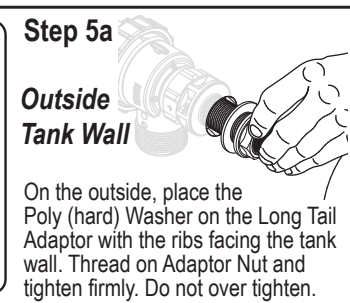
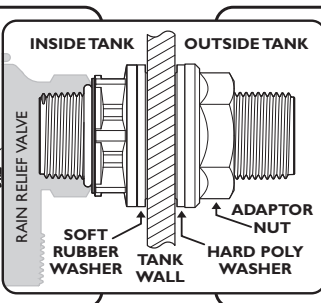
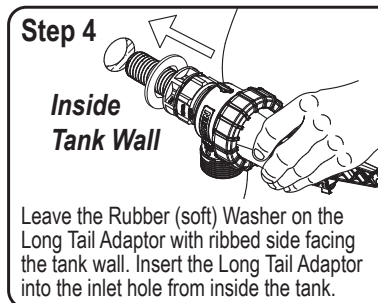
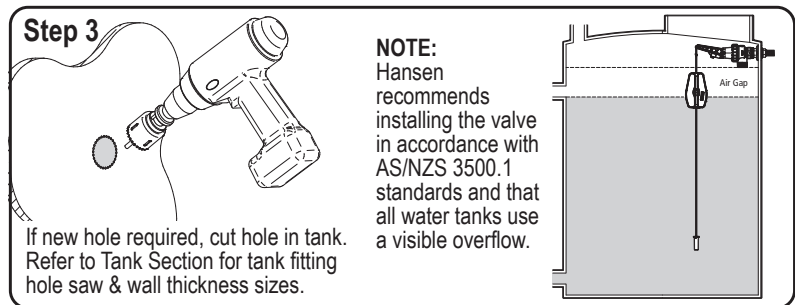
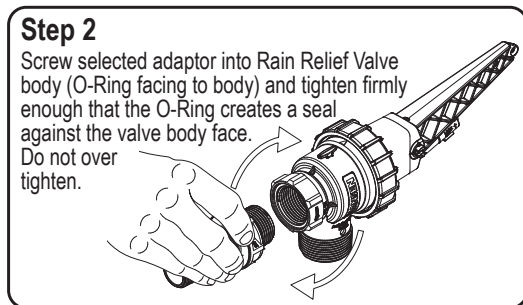
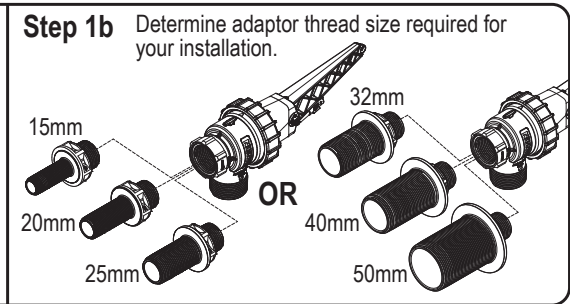
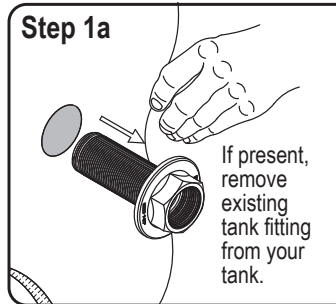
## TECHNICAL INFORMATION *Rapid-Flo Valve & Slo-Flo Valve*

### *Rapid-Flo Valve* Installation Instructions



**IMPORTANT:**

Before connecting the Hansen Rain Relief Valve to water system ensure lines are flushed and free of debris



## Rapid-Flo Valve & Slo-Flo Valve TECHNICAL INFORMATION

### Slo-Flo Valve

#### Installation Instructions

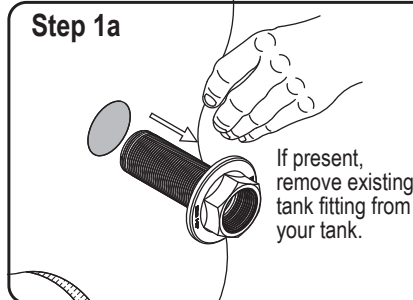


#### IMPORTANT:

Before beginning installation of your new Hansen Rain Relief Valve please:

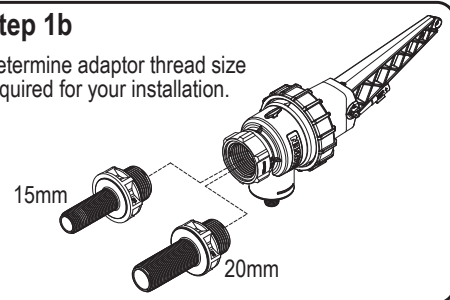
1. Ensure lines are flushed and free of debris.
2. We recommend installing a Y Strainer to help keep the valve free of debris.
3. Refer to council regulations for any additional standards to follow prior to installing.

#### Step 1a



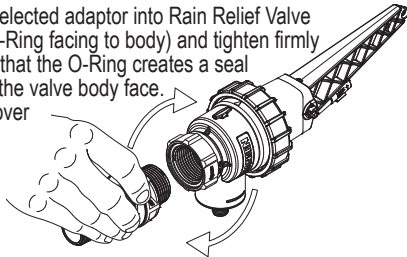
#### Step 1b

Determine adaptor thread size required for your installation.



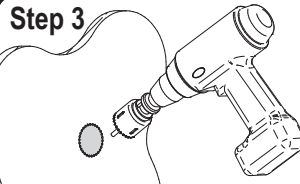
#### Step 2

Screw selected adaptor into Rain Relief Valve body (O-Ring facing to body) and tighten firmly enough that the O-Ring creates a seal against the valve body face. Do not over tighten.



#### Step 3

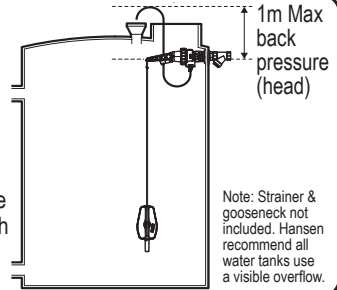
If new hole required, cut hole in tank. Refer to Tank Section for tank fitting hole saw & wall thickness sizes.



#### NOTE:

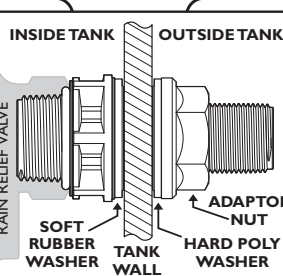
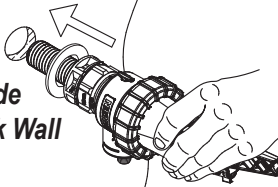
Ensure a maximum of 1m head pressure when installing a gooseneck.

We recommend installing the valve in accordance with AS/NZS 3500.1 standards.



#### Step 4

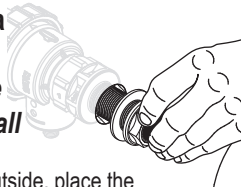
Leave the Rubber (soft) Washer on the Long Tail Adaptor with ribbed side facing the tank wall. Insert the Long Tail Adaptor into the inlet hole from inside the tank.



#### Step 5a

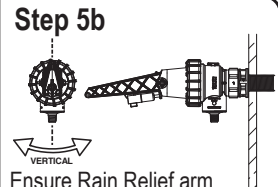
##### Outside Tank Wall

On the outside, place the Poly (hard) Washer on the Long Tail Adaptor with the ribs facing the tank wall. Thread on Adaptor Nut and tighten firmly. Do not over tighten.



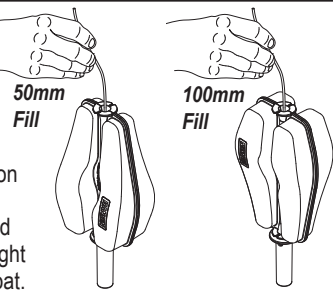
#### Step 5b

Ensure Rain Relief arm is in the vertical position and that valve body is horizontal to the tank wall.



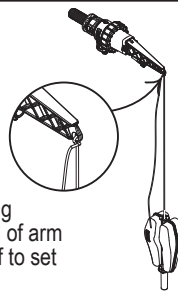
#### Step 6

Decide on float orientation for a tank fill of either 50mm or 100mm. Thread cord attached to the weight carrier up through the float.



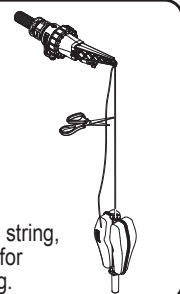
#### Step 7a

Thread the string through the end of arm hole, then tie off to set Minimum level.



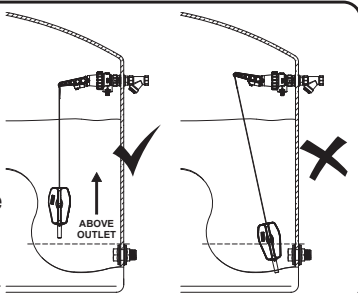
#### Step 7b

Remove excess string, leaving enough for future fine tuning.



#### Step 8

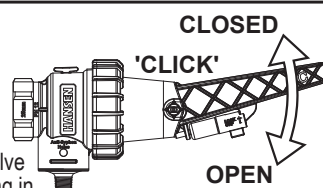
NOTE: The Weight Carrier must be off the bottom of the tank and most importantly above tank outlet.



\*Strainer not included.

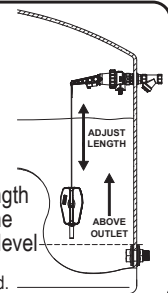
#### Step 9a

Ensure valve is operating in open/closed position as required. Note: the Rain Relief Valve arm may be in the closed position but the valve may take up to 8 seconds to fully close. Do not force arm closed.



#### Step 9b

Fine tuning can be achieved by adjusting the length of the cord for the minimum water level.



\*Strainer not included.

## TECHNICAL INFORMATION *Rapid-Flo Valve & Slo-Flo Valve*

### *Rapid-Flo and Slo-Flo* **Rain Relief Valve Chemical Resistance Chart**

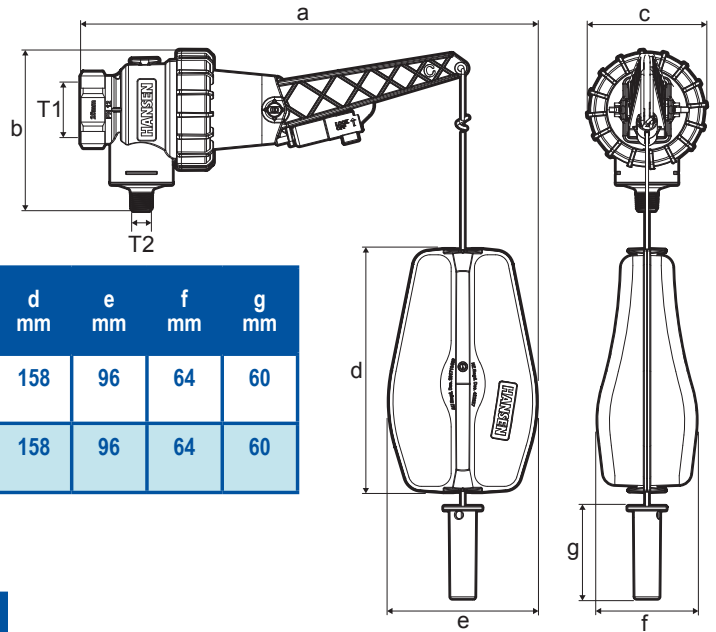
CHEMICAL TYPE	RESISTANCE LEVEL		
	Good	OK But Check Further	BAD Try to Avoid
Drinking Water	X		
Sea Water	X		
Bloat Remedies Diluted		X	
CHEMICAL TYPE	RESISTANCE LEVEL		
Acids Weak			X
Acids Strong			X
Organic Acids Weak		X	
Organic Acids Strong			X
Bases Weak	X		
Bases Strong			X
Bleach			X
CHEMICAL TYPE	RESISTANCE LEVEL		
Automotive Fuel			X
Automotive Lubricants			X
Hydraulic Fluids			X
CHEMICAL TYPE	RESISTANCE LEVEL		
Solvents			X
Hydrocarbons			X
Halogens			X
Alcohols			X
Aldehydes			X
Amines			X
Esters			X
Ethers			X
Ketones			X
CHEMICAL TYPE	RESISTANCE LEVEL		
Detergents	X		
Oxidising Agents			X
Weak Hydrogen Peroxide			X
Ozone			X
Phenols			X
CHEMICAL TYPE	RESISTANCE LEVEL		
Calcium Chloride			X

PLEASE NOTE: This chart is intended as a basic guide only. The resistance to a given chemical will vary with temperature & concentrations. Some chemicals within the group mentioned may result in different rating. For further information, please email us with your specific question.

## Rapid-Flo Valve & Slo-Flo Valve TECHNICAL INFORMATION

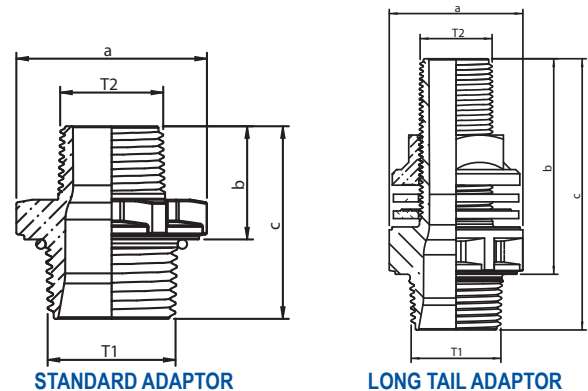
### Rapid-Flo & Slo-Flo Dimensions

Valve	T1 BSPT (DN)	T2 BSPT	a mm	b mm	c mm	d mm	e mm	f mm	g mm
Slo-Flo	1" (25mm)	1/4" (8mm)	297	99	78	158	96	64	60
Rapid-Flo	1" (25mm)	1 1/4" (32mm)	297	105	78	158	96	64	60



### Adaptor Dimensions

Product	T1 BSPT	T2 BSPT	a mm	b mm	c mm
<b>STANDARD ADAPTORS</b>					
15mm Adaptor BSPT	1" (25mm)	1/2" (15mm)	48	34	54
20mm Adaptor BSPT	1" (25mm)	3/4" (20mm)	48	35	55
25mm Adaptor BSPT	1" (25mm)	1" (25mm)	48	38	58
32mm Adaptor BSPT	1" (25mm)	1 1/4" (32mm)	48	32	52
40mm Adaptor BSPT	1" (25mm)	1 1/2" (40mm)	49	39	59
50mm Adaptor BSPT	1" (25mm)	2" (50mm)	61	44	64
<b>LONG TAIL ADAPTORS</b>					
15mm Adaptor BSPT	1" (25mm)	1/2" (15mm)	48	73	93
20mm Adaptor BSPT	1" (25mm)	3/4" (20mm)	48	78	98
25mm Adaptor BSPT	1" (25mm)	1" (25mm)	54	78	98
32mm Adaptor BSPT	1" (25mm)	1 1/4" (32mm)	64	86	106
40mm Adaptor BSPT	1" (25mm)	1 1/2" (40mm)	73	118	138
50mm Adaptor BSPT	1" (25mm)	2" (50mm)	86	119	139



### Wall Thickness Guide

Long Tail Adaptor	HMAL15	HMAL20	HMAL25	HMAL32	HMAL40	HMAL50
Tank Wall	14mm	22mm	19mm	24mm	45mm	39mm

Hansen Long Tail Adaptors Maximum Wall Thickness for Tanks when screwed into a Hansen Female Bend.

### Rapid-Flo and Slo-Flo Rain Relief Valve Materials

- **Diaphragm Valve Body** – Glass Fibre Reinforced Nylon.
  - **Diaphragm** – Nitrile Rubber.
  - **Guide Bush** – Nylon.
  - **Guide Tube** – Acetal.
  - **Springs** – Stainless Steel.
  - **Split Pin** – Stainless Steel.
  - **Valve Body Cap** – Acetal.
  - **Guide Pin** – Stainless Steel.
  - **Valve Body Cap Nut** – Glass Fibre Reinforced Nylon.
  - **Pilot Seal** – Nitrile Rubber.
  - **Float Arm** – Glass Fibre Reinforced Nylon.
  - **Housing** – Glass Fibre Reinforced Nylon.
  - **Roller** – Acetal.
  - **Plunger Housing** – Acetal.
  - **Locking Plunger** – Acetal.
  - **Pivot Tube** – Acetal.
  - **Cord** – Polyester.
  - **Float** – Polypropylene.
  - **Weight** – Stainless Steel.
  - **Weight Carrier** – Glass Fibre Reinforced Nylon.
- SLO-FLO ONLY**
- **Adaptor** – Glass Fibre Reinforced Nylon.
  - **Adaptor O-Ring** – EPDM (Ethylene Propylene).
  - **Stroke Limiter** – Acetal.
  - **Flow Restrictor** – Acetal & Silicone.



TECHNICAL INFORMATION *Rapid-Flo Valve & Slo-Flo Valve**Rapid-Flo* and *Slo-Flo* Rain Relief Valve Frequently Asked Questions**Q What is the difference between the Rain Relief Valve and the Leveller Valve?**

**A** The Leveller Valve opens when a pre-defined minimum water level is reached and will fill your entire tank. The Rain Relief Valve will only supplement your tank with either 50mm or 100mm of water, depending on the float orientation. So if it rains shortly afterwards you can continue rain harvesting.

**Q What is the difference between the *Slo-Flo* Rain Relief Valve and the *Rapid-Flo* Rain Relief Valve?**

**A** The *Rapid-Flo* and *Slo-Flo* Rain Relief Valves are essentially the same valve. The key difference between them is that the *Rapid-Flo* valve is capable of functioning at full flow rate where as the *Slo-Flo* valve is restricted to 2 l/min to conform to the Sydney Water guidelines.

**Q My rain water supply can get very dirty at times. Can the Rain Relief Valve cope with dirty water?**

**A** Yes, both the *Slo-Flo* and *Rapid-Flo* Rain Relief Valves are designed to handle dirty water.



*Hansen Turbo Sweep Washdown Nozzle*



*Hansen Turbo Twist Washdown Nozzle*

# Washdown Nozzles



Hansen Products has been designing and manufacturing pipe fittings and valves for over 60 years and now boasts an extensive and impressive range with a reputation for quality, reliability and ease of use. The winning formula that has been applied to the product range since the 1950s, has ensured a loyal customer following through the generations. Hansen Products have now decided to release their new range of Washdown Nozzles and accessories.

Get the job done fast! Hansen takes Washdown to the next level with the introduction of the Hansen *Turbo-Twist* and *Turbo-Sweep*. With speed and overall performance in mind, the Nozzles work effectively to dislodge and move dung, dirt and residue from concrete Washdown surfaces with ease and brilliance. Built with versatility in mind, the Hansen *Turbo-Twist* and *Turbo-Sweep* have been optimised to operate with 25mm to 50mm hose pipe.

With over 60 years experience in manufacturing, Hansen Products knows the importance that pipe fittings play in the performance and control of fluid delivery, flow and pressure within a pipe system. This has seen Hansen Products build a reputation for providing high performance, easy to use, innovative, simple products that provide our customers with "Best Installed Value". All Hansen products carry our Hansen Warranty.\*

\*For more information on our warranty please go to Legal section.

## Features and Benefits

- Handles hard knocks, absorbs shock and gives maximum resistance when dropped on hard surfaces.
- Hard wearing, industrial strength materials for a long life.
- Easy turn action and built in clever reverse click allows for control of flow and prevents turning on if dropped.
- Turbo charged power delivers maximum cleaning with concentrated flow.
- The *Turbo-Twist* and *Turbo-Sweep* are ideal for yard washing, high pressure washing, vehicles, meat works, factories and marine.
- Easy grip body provides excellent grip when working with wet hands.
- Large 40mm inlet provides maximum flow potential for fast and effective washdowns.

## Add these connection options

Available separately are a range of versatile connection accessories for 32mm and 40mm washdown hose and male or female threaded end connections.

- **ULTIMATE SWIVEL** - No more annoying hose twists. Add a Hansen Ultimate Swivel.
- **BASIC STYLE** - Add Hansen male hose adaptors for easy connection.
- **NO MORE CUT HANDS** - No more broken or rusty clamps. Add a Hansen Easy Clamp.

## Conversions

25mm - 1"	40mm - 1 1/2"
32mm - 1 1/4"	50mm - 2"

8 Bar – 800 kPa – 116 psi
20° Celcius – 68° Fahrenheit



*Hansen Turbo Twist (HWDNTT) in use*



*Hansen Turbo Sweep (HWDNTS) in use*

## Turbo~Twist

### Turbo Twist Washdown Nozzle Pack

Includes Turbo Twist Washdown Nozzle and hose tail adaptors for connecting to 32mm & 40mm washdown hose.



Code	Metric	Pack Size	RRP
HWDNTTPACK	40mm Inlet	EA	\$105.16

**Pack Contains:**

- HWDNTT Turbo Twist Washdown Nozzle
- HWDHT4040 40mm x 40mm Hose Tail Adaptor
- HWDHT4032 40mm x 32mm Hose Tail Adaptor

### Turbo Twist Washdown Nozzle

Hansen Turbo Twist washdown nozzle



Code	Metric	Pack Size	RRP
HWDNTT	40mm Inlet	EA	\$94.16

## Turbo~Sweep

### Turbo Sweep Washdown Nozzle Pack

Includes Turbo Sweep Washdown Nozzle and hose tail adaptors for connecting to 32mm & 40mm washdown hose.



Code	Metric	Pack Size	RRP
HWDNTSPACK	40mm Inlet	EA	\$168.30

**Pack Contains:**

- HWDNTS Turbo Sweep Washdown Nozzle
- HWDHT4040 40mm x 40mm Hose Tail Adaptor
- HWDHT4032 40mm x 32mm Hose Tail Adaptor

### Turbo Sweep Washdown Nozzle

Hansen Turbo Sweep washdown nozzle.



Code	Metric	Pack Size	RRP
HWDNTS	40mm Inlet	EA	\$157.30

The Turbo Twist Washdown Nozzles and the Turbo Sweep Washdown Nozzles in this catalogue are protected by intellectual property rights owned by the Hansen group of companies in New Zealand. For more information refer to the legal information section.

Prices are in AUD and are inclusive of 10% GST. Recommended Retail Prices are indicative and Actual Retail Prices may vary between retailers.

## Washdown Nozzle Accessories

**Easy Clamp** *Replaces dangerous metal clamps with a safe hose clamp that prevents nasty cuts. Available for 32mm or 40mm washdown hose.*



Code	Metric	Pack Size	RRP
HWDC40	40mm	EA	POA
HWDC32	32mm	EA	POA

**Ultimate Swivel Hose Tail** *Helps prevent hose twists at nozzle, in-line or at the hose connection point. Available in 32mm or 40mm hose tail.*



Code	Metric	Pack Size	RRP
HWDSHT5040	50mm x 40mm	EA	\$47.08
HWDSHT5032	50mm x 32mm	EA	\$47.08

**Ultimate Swivel Male BSPT** *Threaded swivel for custom applications requiring a swiveled connection.*



Code	Metric	Pack Size	RRP
HWDSM5040	50mm x 40mm	EA	\$47.08
HWDSM5032	50mm x 32mm	EA	\$47.08

**Washdown Hose Tail** *40mm BSP thread with 32mm or 40mm hose tail end.*



Code	Metric	Pack Size	RRP
HWDHT4040	40mm x 40mm	EA	\$18.98
HWDHT4032	40mm x 32mm	EA	\$13.20

## Washdown Nozzle Service Kits

Turbo Twist Service Kits	Code	Metric	Pack Size	RRP
	HWDNTTSK	Twist Service Kit	EA	POA
	HWDNSS	Ultimate Swivel Service Kit	EA	POA
	HMFSCREW	20mm Maxflo SS Screws	2	\$1.90

The Easy Clamp products and the Ultimate Swivel products in this catalogue are protected by intellectual property rights owned by the Hansen group of companies in New Zealand. For more information refer to the legal information section.

Prices are in AUD and are inclusive of 10% GST. Recommended Retail Prices are indicative and Actual Retail Prices may vary between retailers.

## *Turbo Twist* Washdown Nozzle Features & Benefits

- A Better Way to Wash - Test results demonstrate you will save time with a higher and more concentrated flow, delivering 20% more cleaning power in comparison to comparable products.\*
- Handles hard knocks, absorbs shock and gives maximum resistance when dropped on hard surfaces.
- Hard wearing, industrial strength materials for a long life.
- Easy turn action and built in clever reverse click allows for control of flow and prevents turning on if dropped.
- Turbo charged jet power delivers maximum cleaning power with concentrated flow.
- The *Turbo Twist* is ideal for yard washing, high pressure washing, truck wash, meat works, factories and marine.
- Easy grip body provides excellent grip when working with wet hands.
- Large 40mm inlet provides maximum flow potential for fast and effective washdowns.

### ADD THESE CONNECTION OPTIONS

Available separately are a range of versatile connection accessories for 25mm to 50mm washdown hose and male or female threaded end connections.

- **ULTIMATE SWIVEL** - No more annoying hose twists. Add a Hansen Ultimate Swivel.
- **BASIC STYLE** - Add Hansen male hose adaptors for easy connection.
- **NO MORE CUT HANDS** - No more broken or rusty clamps. Add a Hansen Easy Clamp.

## *Turbo Twist* Washdown Nozzle Parts and Materials

**Clip** - Glass Fibre Filled Acetal.

**Rear Body** - Glass Fibre Reinforced Polyketone.

**Turbo Twist Body** - Glass Fibre Reinforced Nylon.

**Tip** - Thermoplastic Polyester Elastomer.

**Turbo Twist Bumper** - Thermoplastic Vulcanizate.

**O-ring** - EPDM.

**Retaining Screw** - Stainless Steel.

## *Turbo Twist* Washdown Nozzle Working Pressure

Hansen *Turbo Twist* Maximum Working Pressure; 8 Bar (800 kPa. 116 psi) @ 20°C

The Turbo Twist Washdown Nozzles in this catalogue are protected by intellectual property rights owned by the Hansen group of companies in New Zealand. For more information refer to the legal information section.

\*Based on in-house testing and competitors available data

## *Washdown Nozzle* TECHNICAL INFORMATION

### *Turbo Sweep* Washdown Nozzle Features & Benefits

- Dual Action Nozzle! Combining the Turbo Twist's jet powered precision with the Turbo Sweep's powerful broom action that delivers the Ultimate in 2 in 1 cleaning power.
- The only washdown nozzle on the market that goes from jet to sweep with only minor flow change.
- Handles hard knocks, absorbs shock and gives maximum resistance when dropped on hard surfaces.
- Hard wearing, industrial strength materials for a long life.
- Easy turn action and built in clever reverse click allows for control of flow and prevents turning on if dropped.
- Turbo charged jet power delivers maximum cleaning power with concentrated flow.
- The *Turbo Sweep* is ideal for yard washing, truck wash, high pressure washing, meat works, factories and marine.
- Easy grip body provides excellent grip when working with wet hands.
- Large 40mm inlet provides maximum flow potential for fast and effective washdowns.
- Quality Guarantee - Covered by Hansen's Warranty means you can buy with confidence.

### ADD THESE CONNECTION OPTIONS

Available separately are a range of versatile connection accessories for 25mm to 50mm washdown hose and male or female threaded end connections.

- **ULTIMATE SWIVEL** - No more annoying hose twists. Add a Hansen Ultimate Swivel.
- **BASIC STYLE** - Add Hansen male hose adaptors for easy connection.
- **NO MORE CUT HANDS** - No more broken or rusty clamps. Add a Hansen Easy Clamp.

### *Turbo Sweep* Washdown Nozzle Parts and Materials

**Cam Plate** - Glass Fibre Reinforced Nylon.

**Blade** - Glass Fibre Reinforced Polyketone.

**Front Plate** - Acetal.

**Clip** - Glass Fibre Filled Acetal.

**Key** - Glass Fibre Filled Acetal.

**Blade Housing** - Glass Fibre Reinforced Nylon.

**Cone** - Glass Fibre Reinforced Nylon.

**Rear Body** - Glass Fibre Reinforced Polyketone.

**Turbo Sweep Body** - Glass Fibre Reinforced Nylon.

**Tip** - Thermoplastic Polyester Elastomer.

**Turbo Sweep Bumper** - Thermoplastic Vulcanizate.

**O-rings** - EPDM.

**Retaining Screws** - Stainless Steel.

### *Turbo Sweep* Washdown Nozzle Working Pressure

Hansen *Turbo Sweep* Maximum Working Pressure; 8 Bar (800 kPa. 116 psi) @ 20 degrees Celsius.

The Turbo Sweep Washdown Nozzles in this catalogue are protected by intellectual property rights owned by the Hansen group of companies in New Zealand. For more information refer to the legal information section.



## TECHNICAL INFORMATION *Washdown Nozzle*

### Turbo Twist Service Kit Installation Instructions

Kit includes:



Body Clips



Stainless Steel Screw



O-ring



Rubber Bumper

## INSTRUCTIONS

### Removing and replacing the Body Clips

#### Clip Removal

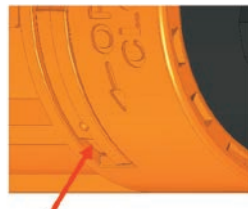
1. Fully Open the nozzle until it stops.



2. Next, Close the nozzle 1/8 of a turn.  
Handy Hint – rotate the Rear Body anti-clockwise one rib.



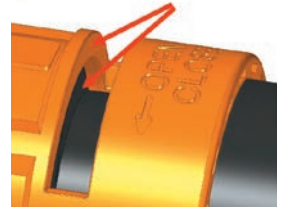
3. Starting with the small ends of the Clip closest to the front of the Nozzle, carefully use a small screwdriver or nail and push both ends of the clip inwards at a 45 degree angle until the Clip disengages. Remove the Clip from the Nozzle.



4. Turn the Nozzle over and repeat step 3 for the other Clip.

#### Clip Installation

5. Wind the Rear Body into the Nozzle Body until the end face of the inner thread is level with, or slightly past, the slot in the Nozzle Body.



6. Insert the first Clip with the recessed side towards the rear of the nozzle and push it fully in until it clicks into place.



7. Turn the Nozzle over, and ensuring the legs of the first Clip are towards the rear of the Nozzle insert the second Clip with the recessed side towards the front of the Nozzle.



### Removing and replacing the Stainless Steel Screw

- Once the body clips have been removed, unscrew the inner body (black piece) from the outer body (orange piece).
- Look down the inside of the Outer body to access the stainless screw.
- Using a long shank Philips head screw driver unscrew anticlockwise the stainless screw.
- Replace screw and tighten Clockwise until firmly located.

### Removing and replacing the O-Ring

- Once the body clips have been removed, unscrew the inner body (black piece) from the outer body (orange piece).
- To remove the O-ring use a thin flat object to fit under the O-ring, lift up and roll the O-ring off the inner body.
- Be careful not to damage the recessed area that the O-ring sits in.
- Gently roll the new O-ring onto the inner body, and locate it in the recessed area.  
**Note: Do not lubricate the O-ring, it comes pre lubricated from the factory.**

### Removing and replacing the Rubber Bumper

- Remove old bumper by stretching it over the recessed part of the outer body.
- Replace with new bumper by gently stretching it over the outer body and locate it in the recessed part of the outer body.

## Washdown Nozzle TECHNICAL INFORMATION

### Turbo Twist and Turbo Sweep Washdown Nozzle Chemical Resistance Chart

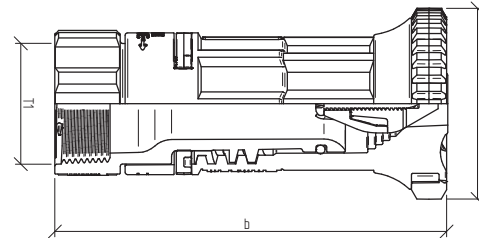
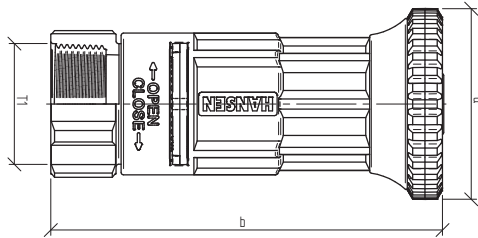
CHEMICAL TYPE	RESISTANCE LEVEL		
	Good	OK But Check Further	BAD Try to avoid
Drinking Water	X		
Sea Water	X		
Bloat Remedies Diluted		X	
CHEMICAL TYPE	RESISTANCE LEVEL		
Acids Weak			X
Acids Strong			X
Organic Acids Weak			X
Organic Acids Strong			X
Bases Weak			X
Bases Strong			X
Bleach			X
CHEMICAL TYPE	RESISTANCE LEVEL		
Automotive Fuel			X
Automotive Lubricants			X
Hydraulic Fluids			X
CHEMICAL TYPE	RESISTANCE LEVEL		
Solvents			X
Hydrocarbons			X
Halogens			X
Alcohols			X
Aldehydes			X
Amines			X
Esters			X
Ethers			X
Ketones			X
CHEMICAL TYPE	RESISTANCE LEVEL		
Detergents	X		
Oxidising Agents			X
Weak Hydrogen Peroxide			X
Ozone			X
Phenols			X
CHEMICAL TYPE	RESISTANCE LEVEL		
Calcium Chloride			X

Specifications and sizes may change without prior notice

## TECHNICAL INFORMATION *Washdown Nozzle*

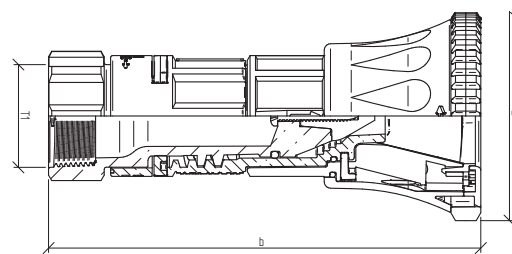
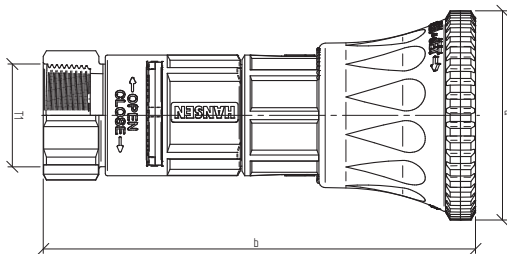
### Dimensions Turbo Twist Washdown Nozzle HWDNTT

Product Description	Product Code	T1 BSPT	a mm	b mm
Turbo Twist Washdown Nozzle	HWDNTT	1-1/2"	78	156



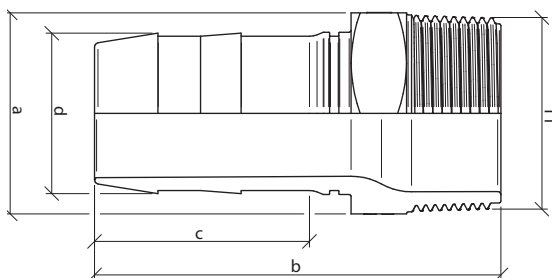
### Dimensions Turbo Sweep Washdown Nozzle HWDNTS

Product Description	Product Code	T1 BSPT	a mm	b mm
Turbo Sweep Washdown Nozzle	HWDNTS	1-1/2"	99	202



### Dimensions Washdown Hose Tail HWDHT

Product Description	Product Code	T1 BSPF	a mm	b mm	c mm	d mm
40x40mm Washdown Hose Tail	HWDHT4040	1-1/2"	49.5 AF	100	53	39.5
40x32mm Washdown Hose Tail	HWDHT4032	1-1/2"	49.5 AF	100	53	33

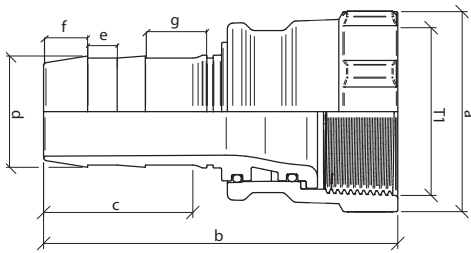


Specifications and sizes may change without prior notice

## Washdown Nozzle TECHNICAL INFORMATION

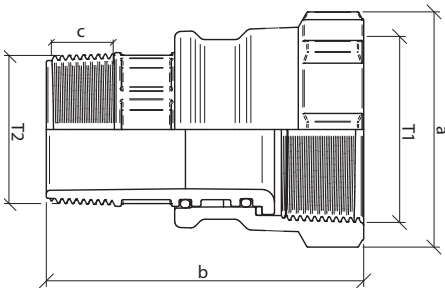
### Dimensions Ultimate Swivel Hose Tail HWDSHT

Product Description	Product Code	T1 BSPT	a mm	b mm	c mm	d mm	e mm	f mm	g mm
50x40mm Ultimate Swivel Hose Tail	HWDSHT5040	2"	71.0	126.0	53.0	39.5	39.0	16.0	22.0
50x32mm Ultimate Swivel Hose Tail	HWDSHT5032	2"	71.0	126.0	53.0	33.0	33.0	16.0	22.0



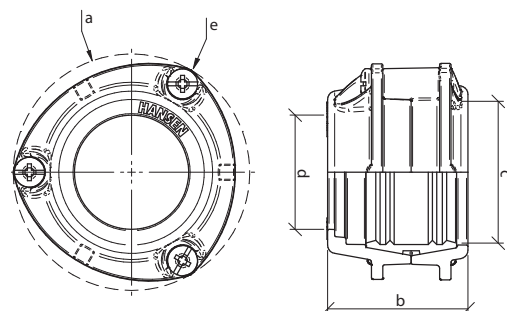
### Dimensions Ultimate Swivel Male BSPT HWDSM

Product Description	Product Code	T1 BSPT	T2 BSPT	a mm	b mm	e mm
50x40mm Ultimate Swivel Male BSPT	HWDSM5040	2"	1-1/2"	71.0	101.5	21.0
50x32mm Ultimate Swivel Male BSPT	HWDSM5032	2"	1-1/4"	71.0	101.5	21.0



### Dimensions Easy Clamp HWDC

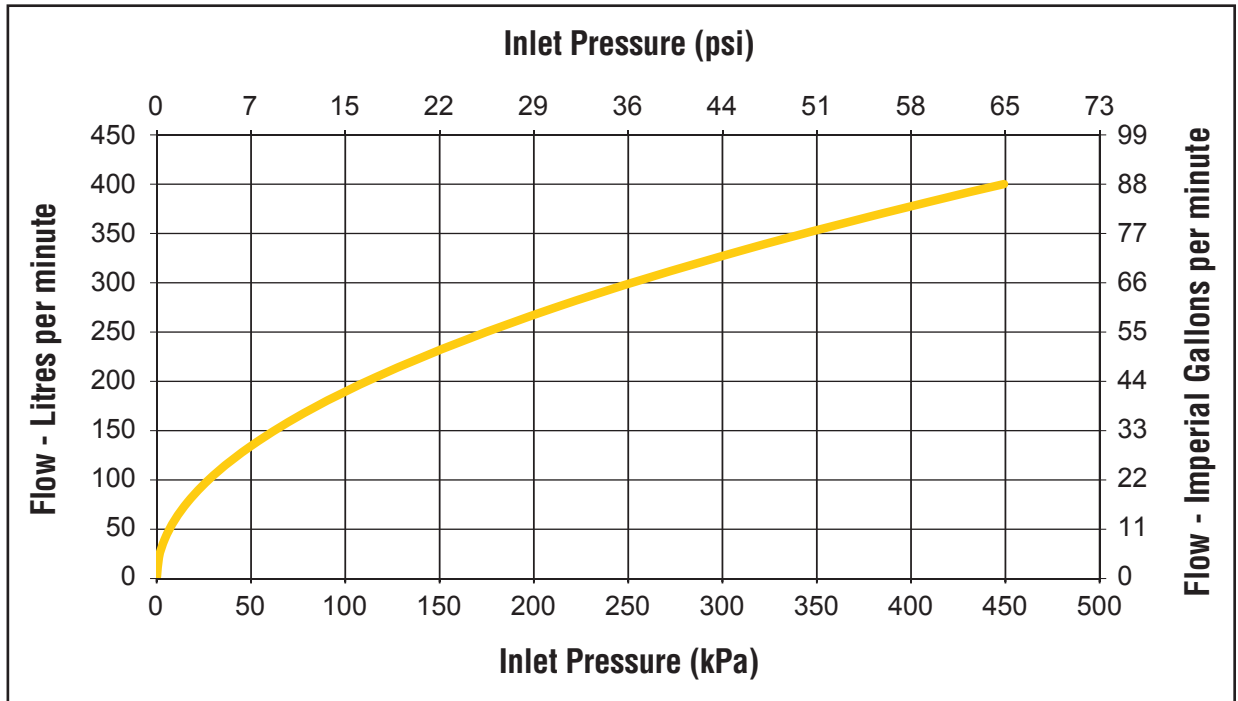
Product Description	Product Code	a mm	b mm	c mm	d mm	e mm
40mm Easy Clamp	HWDC40	83.0	49.5	51.3	40.3	48.0
32mm Easy Clamp	HWDC32	83.0	49.5	43.3	34.0	40.0



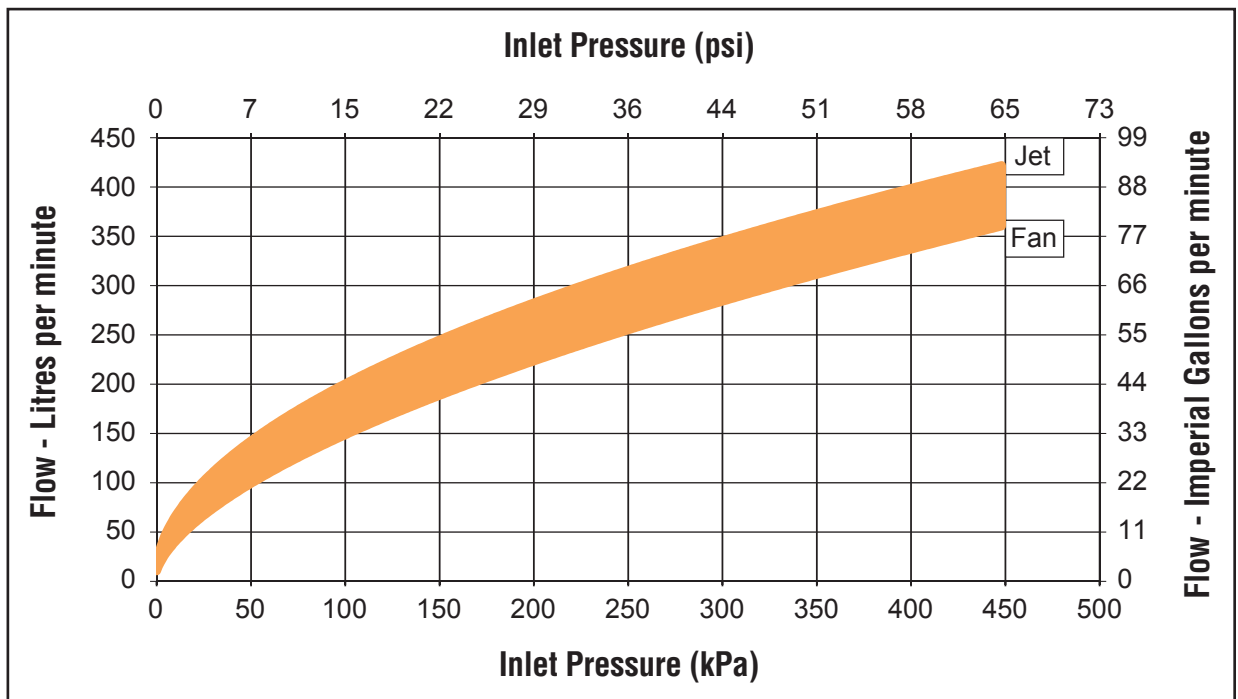
Specifications and sizes may change without prior notice.

## TECHNICAL INFORMATION *Washdown Nozzle*

### *Turbo Twist* Flow Chart



### *Turbo Sweep* Flow Chart



Specifications and sizes may change without prior notice.

## Washdown Nozzle TECHNICAL INFORMATION

### Turbo Twist & Turbo Sweep Washdown Nozzle Frequently Asked Questions

**Q How many sizes does the Turbo-Twist come in?**

**A** The Turbo-Twist is available in a range of versatile connection styles for 25mm to 50mm washdown hose and male or female threaded end connections for custom applications.

**Q What is the pressure rating?**

**A** The Hansen Turbo-Twist & Turbo-Sweep are pressure rated to 8 Bar (800 kPa, 116 psi) @ 20 degrees Celsius.

**Q What temperature can the water be when using the Hansen Turbo-Twist or Turbo-Sweep?**

**A** The Hansen Turbo-Twist & Turbo-Sweep are rated to 60° Celsius.

**Q Are there replacement parts for the Hansen Turbo-Twist & Turbo-Sweep?**

**A** Yes, there is a range of replacement parts available.

**Q Is the Turbo-Twist & Turbo-Sweep adjustable?**

**A** Yes, they have a wide range of action and are quickly adjustable between open to fully closed.

**Q How much water do they use?**

**A** This is determined in part by your existing washdown system. The best way to move dirt etc is a combination of flow and velocity, which Hansen have taken into account when designing the Turbo-Twist & Turbo-Sweep.

**Q What applications can I use a Turbo-Twist or Turbo-Sweep?**

**A** Ideal for yard wash, or any other applications that require a combination of flow, pressure and velocity such as washing vehicles, meatworks cleanup, vineyard equipment washing, marine applications and so forth.

**Q I have a 32mm hose, will it fit?**

**A** Yes, a 32mm and 40mm adaptor are available for the Turbo-Twist & Turbo-Sweep.

**Q Will the Turbo-Twist wash a wide strip?**

**A** No but our Turbo-Sweep has been designed to wash a 900mm wide strip, and includes an economy mode, normal mode and wide mode all in the one nozzle.

**Q What hose clamp can I use on the Turbo-Twist & Turbo-Sweep?**

**A** Hansen have developed a new clamping system which eliminates the traditional stainless steel clamp method. The new Easy Clamp will not cut your hands or wrist, although any hose clamp can be used.

**Q I'm sick of having to un-twist my hose every day after washing down - how can you solve this?**

**A** Hansen have developed a thoroughly modern connection, the Ultimate Swivel that allows you to complete your washdown without the washdown hose twisting as you make your way around the yard.

# Quick Connect Unions



Best Installed Value



**Knuckle Union**



**Barrel Union**

After the success of Hansen *Easy Fit* Pipe Fittings and *True Fit* Threaded Fittings the next obvious product range to add to the already extensive Hansen Range, was Unions.

The Hansen *Quick Connect* Union range was added in the late 1990s and is designed and manufactured to the same high quality and principles as the rest of the Hansen range.

The Hansen *Quick Connect* Knuckle Union makes removing or installing a pump from your system a breeze as all you have to do is undo the common nut. The Knuckle Union has the added benefit of a 9 degree 'Knuckle' movement providing greater flexibility at installation time, removing the need for the pipe work to line up exactly with your pump.

Manufactured for use with Low Density Polythene Pipe with an impressive range of configurations, the Hansen *Quick Connect* Unions are suitable for many types of fluid and fit easily onto Hansen *Easy Fit* Pipe Fittings and *True Fit* Threaded Fittings.

With over 60 years experience in manufacturing, Hansen Products knows the importance that pipe fittings play in the performance and control of fluid delivery, flow and pressure within a pipe system. This has seen Hansen Products build a reputation for providing high performance, easy to use, innovative, simple products that provide our customers with "Best Installed Value". All Hansen products carry our Hansen Warranty.\*

\*For more information on our warranty please go to Legal section

## Knuckle Union Features & Benefits

- Used to connect and disconnect pipe work or valves quickly and easily from pumps and existing installations.
- Ultimate flexibility around pumps.
- Quick connect/disconnect solution around pumps or along the trunk of a pipe.
- 9° 'Knuckle' movement providing greater flexibility at installation time, removing the need for the pipe work to line up exactly with your pump.
- Pump can easily be removed or installed from system for servicing by undoing common nut.
- Pump can be misaligned from pipe work by a total of 9°.
- Multiple configurations enable this fitting to meet the needs of just about any situation.
- Ability to connect to poly pipe applications directly from the pump or in-line.
- Fits onto the extensive range of Hansen *Easy Fit* & *True Fit* Pipe Fittings.

## Barrel Union Features & Benefits

- Designed to enable Quick Connect / Disconnect around pumps, tanks, dairy sheds and irrigation.
- Flat face for easy uninstal makes uninstalling pumps & pipe work a breeze!
- Strong & compact, perfect solution for tight spaces.
- When the common nut is wound off, the pipe simply 'slips down'.
- Great for tight spaces that have little room for connecting & disconnecting.
- Ideal for connecting and disconnecting larger pump and pipes
- Perfect for off centred pipe work.
- Ability to connect / disconnect from pump or along the trunk of a pipe.
- Multiple configurations enable this fitting to meet the needs of just about any situation.
- Ability to connect to poly pipe applications directly from the pump or in-line.
- Fits onto the extensive range of Hansen *Easy Fit* & *True Fit* Pipe Fittings.

## Standards & Approvals

**AS/NZS 4020:** Hansen *Quick Connect* Unions meet the requirements for products in contact with drinking water as per AS/NZS 4020 Australia & New Zealand drinking water standard.

**WRAS:** Hansen *Barrel Unions* carry the WRAS approval by the Water Research Council in the UK which is the highest recognised water testing organisation in the world. A WRAS approved fitting must not cause waste, misuse, undue consumption or contamination of the water supply and must be of an appropriate quality and standard.

See our website for further details on approvals.

## Conversions

15mm - 1/2"	32mm - 1 1/4"
20mm - 3/4"	40mm - 1 1/2"
25mm - 1"	50mm - 2"

10 Bar – 1000 kPa – 145 psi
16 Bar – 1600 kPa – 235 psi

20° Celcius – 68° Fahrenheit



*Hansen Knuckle Union Poly x Poly (KUPP) in use*



*Hansen Barrel Union (SBU) in use*



## Quick Connect Unions

### Knuckle Unions Assembled

Used to connect and disconnect pipe work or valves quickly and easily from pumps and existing installations. Total of 9 degrees socket movement

#### Knuckle Union Assembled Units Male BSPT Thread x Pipe Size



Code	Metric	Imperial	Pack Size	RRP
KU20M20P	20mm x 20mm	3/4" x 3/4"	EA	\$32.73
KU20M25P	20mm x 25mm	3/4" x 1"	EA	\$43.02
KU25M20P	25mm x 20mm	1" x 3/4"	EA	\$42.01
KU25M25P	25mm x 25mm	1" x 1"	EA	\$52.35
KU25M32P	25mm x 32mm	1" x 1 1/4"	EA	\$61.63
KU32M25P	32mm x 25mm	1 1/4" x 1"	EA	\$60.91
KU32M32P	32mm x 32mm	1 1/4" x 1 1/4"	EA	\$70.24

#### Knuckle Union Assembled Units Male BSPT Thread x Female BSPT Thread



KU20M20F	20mm x 20mm	3/4" x 3/4"	EA	\$31.15
KU25M25F	25mm x 25mm	1" x 1"	EA	\$49.83
KU32M32F	32mm x 32mm	1 1/4" x 1 1/4"	EA	\$66.99

#### Knuckle Union Assembled Units Female BSPT Thread x Pipe Size



KU20F20P	20mm x 20mm	3/4" x 3/4"	EA	\$32.73
KU25F25P	25mm x 25mm	1" x 1"	EA	\$52.36
KU32F32P	32mm x 32mm	1 1/4" x 1 1/4"	EA	\$70.24

#### Knuckle Union Assembled Units Pipe Size x Pipe Size



KU20P20P	20mm x 20mm	3/4" x 3/4"	EA	\$34.16
KU25P25P	25mm x 25mm	1" x 1"	EA	\$54.79
KU32P32P	32mm x 32mm	1 1/4" x 1 1/4"	EA	\$73.55

## Quick Connect Unions Knuckle Union Components

common nut



**Knuckle Union Socket x Poly Tail**  
(includes common nut)

Used to connect and disconnect pipe work or valves quickly and easily from pumps and existing installations. Total of 9 degrees socket movement

Code	Metric	Imperial	Pack Size	RRP
KUS20P	20mm	3/4"	EA	\$17.08
KUS25P	25mm	1"	EA	\$27.39
KUS32P	32mm	1 1/4"	EA	\$36.80



**Knuckle Union Socket x Male Thread**  
(includes common nut)

common nut



Code	Metric	Imperial	Pack Size	RRP
KUS20M	20mm	3/4"	EA	\$15.65
KUS25M	25mm	1"	EA	\$24.93
KUS32M	32mm	1 1/4"	EA	\$33.50

**Ball x Poly Tail**



Code	Metric	Imperial	Pack Size	RRP
KUB20P	20mm	3/4"	EA	\$17.08
KUB25P	25mm	1"	EA	\$27.37
KUB32P	32mm	1 1/4"	EA	\$36.80

**Ball x Female Thread**



Code	Metric	Imperial	Pack Size	RRP
KUB20F	20mm	3/4"	EA	\$15.65
KUB25F	25mm	1"	EA	\$24.97
KUB32F	32mm	1 1/4"	EA	\$33.55

## Quick Connect Unions Barrel Union

Designed to enable quick connect/disconnect around pumps, tanks, dairy sheds, industry and irrigation

**Barrel Unions**  
BSPT



Code	Metric	Imperial	Pack Size	RRP
HBU15	15mm	1/2"	EA	\$18.70
HBU20	20mm	3/4"	EA	\$22.99
HBU25	25mm	1"	EA	\$27.06
HBU2520	25mm x 20mm	1" x 3/4"	EA	\$27.06
HBU32	32mm	1 1/4"	EA	\$31.68
HBU3225	32mm x 25mm	1 1/4" x 1"	EA	\$31.68
HBU40	40mm	1 1/2"	EA	\$36.30
HBU50	50mm	2"	EA	\$44.66

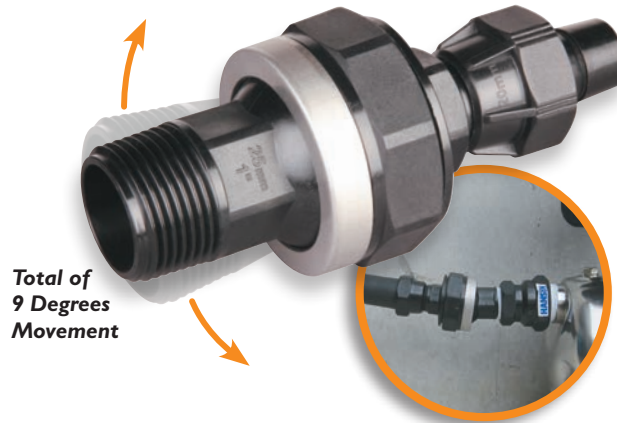
Prices are in AUD and are inclusive of 10% GST. Recommended Retail Prices are indicative and Actual Retail Prices may vary between retailers.

## TECHNICAL INFORMATION *Quick Connect Unions*

### Hansen Knuckle Union - Ultimate Flexibility

#### Ultimate Flexibility Around Pumps

The Hansen *Quick Connect* Knuckle Union is the ultimate quick connect/disconnect solution around pumps. With a flexible 'knuckle' joint of up to 9 degrees movement, now you don't have to worry if your pipe work doesn't line up exactly with your pump, the flexible Hansen *Quick Connect* Knuckle Union takes care of that for you!



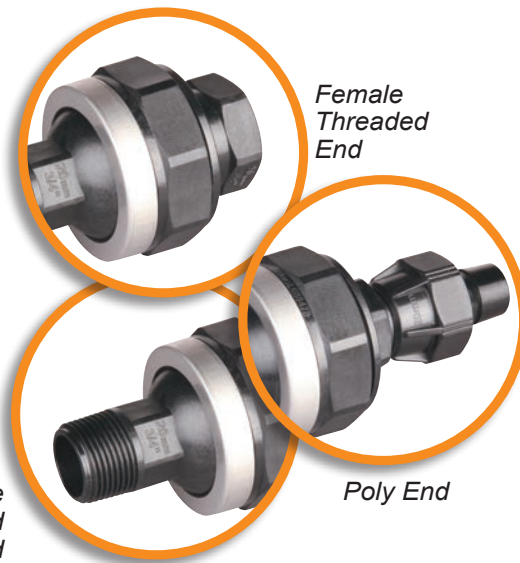
Total of 9 Degrees Movement

#### IDEAL FOR...

- Pump or pipe work off centre and needing flexibility.
- Connecting to poly pipe applications directly from the pump or in-line.
- Connect/disconnect from pump or along the trunk of a pipe.

#### Multiple Configurations

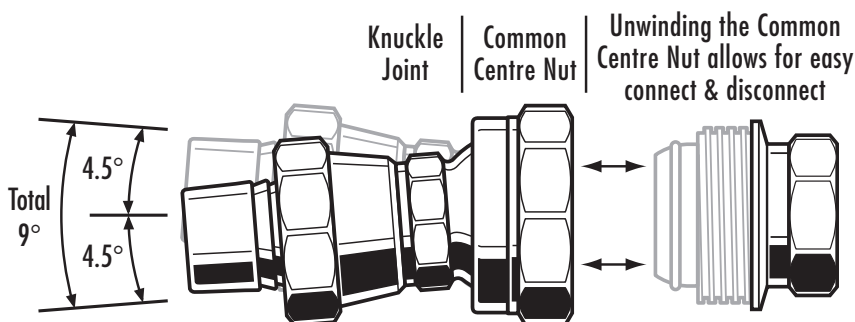
Multiple connections enables this fitting to meet the needs of just about any situation. All connections available in sizes 20mm, 25mm or 32mm (3/4", 1", 1 1/4" BSPT).



Female Threaded End

Male Threaded End

Poly End



## *Quick Connect Unions* TECHNICAL INFORMATION

### *Quick Connect* Knuckle Unions Parts and Materials

- **Body and Nuts** - Highest quality glass fibre reinforced nylon.
- **O-Ring** - Nitrile Rubber.
- **Ring** - Stainless Steel.

### *Quick Connect* Knuckle Unions Working Pressure

Hansen *Quick Connect* Knuckle Union Maximum Working Pressure;  
10 Bar (1000 kPa. 145 psi) @ 20°C.

### *Quick Connect* Knuckle Union Installation Steps

- Please refer to the *True Fit* Threaded Fitting Installation instructions for threaded installation.
- Please refer to the *Easy Fit* Poly Fitting installation instructions for connecting to pipe work then follow the steps below.
- Fittings should be installed as per applicable standards and approvals for pipe and fittings. Failure to complete installation in accordance with applicable standards and approvals may void warranties given by Hansen Products (NZ) Limited in respect to the fitting. We recommend following pipe manufacturers guidelines.



**1** Line up the two ends of the *Quick Connect* Knuckle Union.



**2** Join the two parts together by winding the Common Centre Nut on to the matching Male Thread.



**3** Ensure the Common Centre Nut is firmly tightened. **DO NOT OVER TIGHTEN.**



**4** Finish connection, Poly Pipe connected with *Quick Connect* Knuckle Union.

Photos shown are Poly x Poly. Many other configurations available.

## TECHNICAL INFORMATION *Quick Connect Unions*

### Hansen Barrel Union - Strong & Compact

#### Perfect Solution For Tight Spaces

Aside from being a great choice for your every day quick connect/disconnect union needs, the Hansen *Quick Connect* Barrel Union's compact design makes it the perfect choice for tight spaces with little movement to spare.

Available in sizes

15mm, 20mm, 25mm, 32mm, 40mm,  
50mm, 25x20mm, 32x25mm.

(1/2" 3/4", 1", 1 1/4", 1 1/2",  
2", 1"x 3/4", 1 1/4"x1"

BSP)...



#### Easy Slip Down Action

The easy slip down action makes uninstalling pumps & pipe work a breeze! When the common nut is wound off, the pipe simply 'slips down' with virtually no extra forward or backward movement required to separate the connection.

#### IDEAL FOR...

- Tight spaces that have little room for connecting & disconnecting.
- Connecting and disconnecting larger pump and pipe sizes.
- Where adjustment for off centred pipe work isn't a concern.
- Connect/disconnect from pump or along the trunk of a pipe.



## *Quick Connect Unions* TECHNICAL INFORMATION

### *Quick Connect* Barrel Unions Parts and Materials

- **Body and Nuts** - Highest quality glass fibre reinforced nylon.

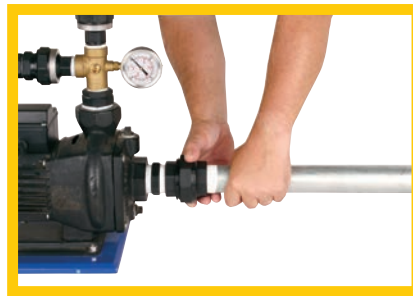
### *Quick Connect* Barrel Unions Working Pressure

Hansen Quick Connect Barrel Union Maximum Working Pressure;  
16 Bar (1600 kPa. 235 psi) @ 20°C.

### *Quick Connect* Barrel Unions Quick & Easy Installation - Pump to Pipe



- 1 Disconnect current pipe from pump by unwinding the Common Centre Nut.



- 2 Connect the new pipe to pump by winding the Common Centre Nut onto the matching male thread.

### *Quick Connect* Barrel Unions Quick & Easy Installation - Pipe to Pipe



- 1 Disconnect current pipe by unwinding the Common Centre Nut.



- 2 Connect new pipe to pipe by winding the Common Centre Nut onto the matching male thread.

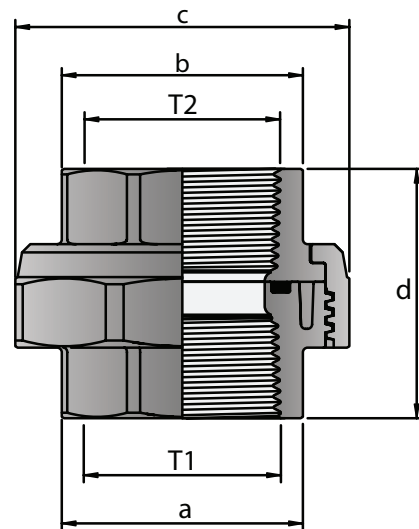
- Use thread sealant on all male threads. We recommend loctite 3551.
- Fittings should be installed as per applicable standards and approvals for pipe and fittings. Failure to complete installation in accordance with applicable standards and approvals may void warranties given by Hansen Products (NZ) Limited in respect to the fitting. We recommend following pipe manufacturers guidelines.

## TECHNICAL INFORMATION *Quick Connect Unions*

### Dimensions: Barrel Union Code: HBU

Product Code	T1 BSPF	T2 BSPF	a (AF) mm	b (AF) mm	c (AF) mm	d mm
HBU15	1/2" (15mm)	1/2" (15mm)	28	28	45	43
HBU20	3/4" (20mm)	3/4" (20mm)	34	34	51	46
HBU25	1" (25mm)	1" (25mm)	41	41	62	53
HBU2520	1" (25mm)	3/4" (20mm)	41	34	62	53
HBU32	1 1/4" (32mm)	1 1/4" (32mm)	51	51	71	55
HBU3225	1 1/4" (32mm)	1" (25mm)	51	41	71	55
HBU40	1 1/2" (40mm)	1 1/2" (40mm)	58	58	81	64
HBU50	2" (50mm)	2" (50mm)	71	71	96	67

AF = Across Flats



### Barrel Union O Ring Sizes

Product Code	T1 BSPF	O Ring Sizes
HBU15	1/2" (15mm)	18 x 2.5 N70
HBU20	3/4" (20mm)	24 x 2.5 N70
HBU25	1" (25mm)	30 x 3.0 N70
HBU2520	1" x 3/4" (25mm x 20mm)	30 x 3.0 N70
HBU32	1 1/4" (32mm)	38 x 3.0 N70
HBU3225	1 1/4" x 1" (32mm x 25mm)	38 x 3.0 N70
HBU40	1 1/2" (40mm)	44 x 3.0 N70
HBU50	2" (50mm)	56 x 3.0 N70

N70= Nitrile Rubber  
70 Shore Hardness

N = Nitrile Rubber, 70 = Shore Hardness

## Quick Connect Unions TECHNICAL INFORMATION

### Quick Connect Knuckle & Barrel Unions Chemical Resistance Chart

CHEMICAL TYPE	RESISTANCE LEVEL		
	Good	OK But Check Further	BAD Try to Avoid
Acids Weak			X
Acids Strong			X
Organic Acids Weak		X	
Organic Acids Strong			X
Bases Weak	X		
Bases Strong		X	
Bleach			X
CHEMICAL TYPE	RESISTANCE LEVEL		
Automotive Fuel	X		
Automotive Lubricants	X		
Hydraulic Fluids			X
CHEMICAL TYPE	RESISTANCE LEVEL		
Solvents		X	
Hydrocarbons	X		
Halogens			X
Alcohols			X
Aldehydes			X
Amines			X
Esters			X
Ethers			X
Ketones			X
CHEMICAL TYPE	RESISTANCE LEVEL		
Detergents	X		
Oxidising Agents			X
Weak Hydrogen Peroxide		X	
Phenols			X

PLEASE NOTE: This chart is intended as a basic guide only. The resistance to a given chemical will vary with temperature & concentrations. Some chemicals within the group mentioned may result in different rating. For further information, please email us with your specific question.



## *Quick Connect*

### Knuckle and Barrel Unions Frequently Asked Questions

**Q Can I use your Hansen *Quick Connect Union* for easy service of my pump?**

**A** Yes, by installing a Hansen *Quick Connect Union* on both the inlet and outlet you effectively have a barrel union and poly joiner in one fitting which allows you to undo two common centre nuts and easily lift your pump out for service.

**Q I have a situation where I would like to connect into an existing stock water line out the back of the farm for filling a spray tank to save travel time when spraying. Can I use a Hansen *Quick Connect Union* for this purpose?**

**A** Yes, as long as there is an isolating valve nearby you can install a poly to poly Hansen *Quick Connect Union* and purchase a ball to poly pipe tail for your tank fill pipe length and quickly hook into this line when required.

**Q I've had to replace my suction fitting on my pump as it snapped and now I can't align my pump back to the bolts it was held in place with. Will your Hansen *Quick Connect Union* help me here?**

**A** Yes, the reason your fitting failed was the same reason you can't line up the bolt holes now, the suction line was never lined up with the pump intake. Try a male to poly Hansen *Quick Connect Union* in the size you require. This will also mean you can bolt down your pump first, attach both parts of the Hansen *Quick Connect Union* to the pump and poly pipe and then just connect the fitting with common centre nut.

**Q Can I use Hansen *Quick Connect fittings* under driveways, paths and foundations?**

**A** Hansen does not recommend the use of any Hansen *Quick Connect Fittings* under any driveways, paths, or foundations.



*Hansen Quick Release Coupling (HQC) in use*

# Quick Couplings



Best Installed Value



After the success of Hansen *Easy Fit* Pipe Fittings and *True Fit* Threaded Fittings the next obvious product range to add to the already extensive Hansen Range was *Quick Couplings*.

The Hansen *Quick Couplings* range was added in the late 1990s and is designed and manufactured to the same high quality and principles as the rest of the Hansen range. Manufactured for use with Low Density Polythene Pipe, the Hansen *Quick Couplings* are suitable for many types of fluid and fit easily onto Hansen *Easy Fit* Pipe Fittings and *True Fit* Threaded Fittings.

With over 60 years experience in manufacturing, Hansen Products knows the importance that pipe fittings play in the performance and control of fluid delivery, flow and pressure within a pipe system. This has seen Hansen Products build a reputation for providing high performance, easy to use, innovative, simple products that provide our customers with "Best Installed Value". All Hansen products carry our Hansen Warranty.\*

\*For more information on our warranty please go to Legal section.

## Features and Benefits

- Manufactured for use with Low Density Polyethylene Pipe.
- Fit easily onto Hansen *Easy Fit* Pipe Fittings and *True Fit* Threaded Fittings.
- Fast and easy to assemble and disconnect – push the pipe onto the fitting and fasten with pipe clip.
- Manufactured from UV stabilised high quality glass fibre reinforced nylon giving a weather, termite, fungi and bacterial resistance.
- Material Approved for use with Potable (drinkable) Water.
- Fittings demonstrate excellent hydraulic flow characteristics.
- Flexibility and Versatility - in new and existing installations, saving time and money.
- Suitable for many types of fluid.
- Low installation costs - no specialist site equipment or skilled labour required.
- New Zealand Made.

## Conversions

20mm - 3/4"  
25mm - 1"  
32mm - 1 1/4"

16 Bar – 1600 kPa – 235 psi  
20° Celcius – 68° Fahrenheit



*Hansen Quick Release Coupling (HQC) in use*

## Quick Couplings

Used for releasing pipe work quickly from male threads.

### Quick Release Coupling BSPT x Hose



Code	Metric	Imperial	Pack Size	RRP
HQC2525	25mm x 25mm	1" x 1"	EA	\$22.22
HQC2520B	25mm x 20mm	1" x 3/4"	EA	\$20.30
HQC3225	32mm x 25mm	1 1/4" x 1"	EA	\$30.38
HQC3232	32mm x 32mm	1 1/4" x 1 1/4"	EA	\$30.38

### Quick Release Coupling Tail



Code	Metric	Imperial	Pack Size	RRP
HQCT20B	25mm x 20mm	1" x 3/4"	EA	\$5.61
HQCT25B	25mm	1"	EA	\$13.92
HQCT3225	32mm x 25mm	1 1/4" x 1"	EA	\$30.38
HQCT32	32mm	1 1/4"	EA	\$16.84

### Quick Release Coupling Socket BSPT



Code	Metric	Imperial	Pack Size	RRP
HQCB25B	25mm	1"	EA	\$22.63
HQCB32B	32mm	1 1/4"	EA	\$18.87

### Quick Release Rubber Seal



Code	Metric	Imperial	Pack Size	RRP
HQCR25	25mm	1"	EA	\$6.22
HQCR32	32mm	1 1/4"	EA	\$8.23

## *Quick Couplings* TECHNICAL INFORMATION

### *Quick Couplings* Working Pressure

The pressure rating for the *Quick Coupling* Pipe Fittings is 16 Bar @ 20 degrees Celsius.

### *Quick Couplings* Installation Steps



1 Slide a loosened hose clamp onto the hose, then insert the Quick Coupling hose tail into the hose pipe.



2 Tighten hose clamp to fasten the Quick Coupling onto the hose.



3 Wind the threaded end of the Quick Coupling onto the connection point. Use thread sealant if the thread does not have a self sealing o-ring.



4 Insert the prepared hose end into the Quick Coupling and twist it to engage it.

Fittings should be installed as per applicable standards and approvals for pipe and fittings. Failure to complete installation in accordance with applicable standards and approvals may void warranties given by Hansen Products (NZ) Limited in respect to the fitting. We recommend following pipe manufacturers guidelines.

## TECHNICAL INFORMATION *Quick Couplings*

### *Quick Couplings* Chemical Resistance Chart

CHEMICAL TYPE	RESISTANCE LEVEL		
	Good	OK But Check Further	BAD Try to Avoid
Acids Weak			X
Acids Strong			X
Organic Acids Weak		X	
Organic Acids Strong			X
Bases Weak	X		
Bases Strong		X	
Bleach			X
CHEMICAL TYPE	RESISTANCE LEVEL		
Automotive Fuel			X
Automotive Lubricants			X
Hydraulic Fluids			X
CHEMICAL TYPE	RESISTANCE LEVEL		
Solvents		X	
Hydrocarbons	X		
Halogens			X
Alcohols		X	
Aldehydes			X
Amines			X
Esters			X
Ethers			X
Ketones			X
CHEMICAL TYPE	RESISTANCE LEVEL		
Detergents	X		
Oxidising Agents			X
Weak Hydrogen Peroxide		X	
Phenols			X

PLEASE NOTE: This chart is intended as a basic guide only. The resistance to a given chemical will vary with temperature & concentrations. Some chemicals within the group mentioned may result in different rating. For further information, please email us with your specific question.

## *Quick Couplings* TECHNICAL INFORMATION

### *Quick Couplings* Frequently Asked Questions

**Q Can I use Hansen Quick Couplings with different types of pipe?**

**A** Yes, because it relies on the hose clip to fasten the pipe to the tail.

**Q Can I use Hansen fittings in marine applications?**

**A** Yes. While marine applications vary, Hansen fittings are resistant to sea water. The fittings will not leach any substances that will be harmful to marine life. Hansen fittings have provided excellent service in marine applications for many years without failure. If you require further information, please contact us by email with details regarding your application.

**Q What temperature can I use Hansen fittings at?**

**A** Hansen have tested all its products for use with cold water up to a maximum temperature of 60°C (140°F). We do not recommend the use of these products with temperatures higher than 60°C (140°F) as plastic expands due to temperature increases. Hansen cannot guarantee the products will perform when used with temperatures over 60°C (140°F). Hansen products that have failed in temperatures higher than 60°C (140°F) will not be covered by our Hansen Warranty.



# Fast Fit Tapping Saddles



Best Installed Value



Hansen Products has been designing and manufacturing Pipe Fittings and Valves for over 60 years and now boasts an extensive and impressive range with a reputation for quality, reliability and ease of use. The winning formula that has been applied to the product range since the 1950s has ensured a loyal customer following through the generations.

With a range of over 700 different products, loyal customers and a successful formula, Hansen Products decided to release a range of *Fast Fit* Tapping Saddles that would revolutionise the way people tee off the main pipeline. The *Fast Fit* Tapping Saddle has a number of features that make it the saddle of choice, such as a Custom Seal that is visible from the outside so you know instantly that the seal is in place, a Pilot Hole for easy installation, a hinge which also stays connected for fast easy one piece installation and opens past 180 degrees for tight spots, a spigot to help locate and secure it onto the pipe and best of all only one Stainless Steel M8 bolt which is fixed to the body to avoid lost parts with the same size bolt used on the entire range which means only one tool is required. Put all of this together and you have the solution for a fast, no hassle installation.

With over 60 years experience in manufacturing, Hansen Products knows the importance that pipe fittings play in the performance and control of fluid delivery, flow and pressure within a pipe system. This has seen Hansen Products build a reputation for providing high performance, easy to use, innovative, simple products that provide our customers with "Best Installed Value". All Hansen products carry our Hansen Warranty.\*

\*For more information on our warranty please go to Legal section

## Features and Benefits

- The spigot guarantees correct placement onto the pipe and security of seal.
- The hinge opens past 180 degrees allowing fast and easy installation in any situation.
- The hinge allows the saddle to remain as one piece which prevents loss and contamination of parts in the trench.
- The custom seal with spigots guarantees correct seal placement, a visible check of correct installation with a superior seal.
- The bolt stays fixed to the body ensuring quick and easy installation and no lost parts.
- The pilot hole in the base ensures correct hole placement.
- Designed and manufactured with extra bolt holes on the larger sized saddles for peace of mind.
- Common Stainless Steel M8 bolt on all sizes means only one tool required.
- Packaging has all the information required for ease of purchase i.e. pipe size & type, thread DN, hole saw size etc.
- Strong, compact design, manufactured from strong, non-corrosive UV stabilised materials for a long life.

### Conversions

25mm - 1"	50mm - 2"
32mm - 1 1/4"	63mm - 2 1/2"
40mm - 1 1/2"	

16 Bar – 1600 kPa – 235 psi

20° Celcius – 68° Fahrenheit



Hansen Tapping Saddle (HTSMD) in use

## Fast Fit Tapping Saddles

Hansen Products' range of Tapping Saddles have revolutionised the way people tee off the main pipeline.



**Tapping Saddle**  
 Medium Density  
 MD x BSPT

Code	Metric	Seal Number	Imperial	Pack Size	RRP
HTSMD3225	32mm x 25mm	4	1 1/4" x 1"	EA	\$20.57
HTSMD4025*	40mm x 25mm	3	1 1/2" x 1"	EA	\$33.00
HTSMD4032	40mm x 32mm	3	1 1/2" x 1 1/4"	EA	\$33.00
HTSMD5025*	50mm x 25mm	2	2" x 1"	EA	\$36.74
HTSMD5032*	50mm x 32mm	2	2" x 1 1/4"	EA	\$36.74
HTSMD5040	50mm x 40mm	2	2" x 1 1/2"	EA	\$36.74
HTSMD6320	63mm x 20mm	1	2 1/2" x 3/4"	EA	\$46.75
HTSMD6325	63mm x 25mm	1	2 1/2" x 1"	EA	\$46.75
HTSMD6332*	63mm x 32mm	1	2 1/2" x 1 1/4"	EA	\$46.75
HTSMD6340	63mm x 40mm	1	2 1/2" x 1 1/2"	EA	\$46.75
HTSMD6350	63mm x 50mm	1	2 1/2" x 2"	EA	\$52.91

\* Includes Hansen Reducing Bush

### Reducing Bush Size

HTSMD4025*	HRB3225, 32mm x 25mm
HTSMD5025*	HRB4025, 40mm x 25mm
HTSMD5032*	HRB4032, 40mm x 32mm
HTSMD6332*	HRB5032, 50mm x 32mm



**Tapping Saddle**  
 Low Density  
 LD x BSPT

Code	Metric	Seal Number	Imperial	Pack Size
HTSLD2525	25mm x 25mm	4	1" x 1"	EA
HTSLD3225	32mm x 25mm	3	1 1/4" x 1"	EA
HTSLD3232	32mm x 32mm	3	1 1/4" x 1 1/4"	EA
HTSLD4025	40mm x 25mm	2	1 1/2" x 1"	EA
HTSLD4032	40mm x 32mm	2	1 1/2" x 1 1/4"	EA
HTSLD4040	40mm x 40mm	2	1 1/2" x 1 1/2"	EA
HTSLD5025	50mm x 25mm	1	2" x 1"	EA
HTSLD5032	50mm x 32mm	1	2" x 1 1/4"	EA
HTSLD5040	50mm x 40mm	1	2" x 1 1/2"	EA
HTSLD5050	50mm x 50mm	1	2" x 2"	EA

The Tapping Saddles in this catalogue are protected by intellectual property rights owned by the Hansen group of companies in New Zealand. For more information refer to the legal information section.

Prices are in AUD and are inclusive of 10% GST. Recommended Retail Prices are indicative and Actual Retail Prices may vary between retailers.

## Fast Fit Tapping Saddles Seals

### Fast Fit "Patent Pending" Indicator Multi Seal

#### Tapping Saddle Seal Medium Density



Code	Saddle	Pipe	Description	Pack Size	RRP
HTSSEAL1	63x50	MD	Fits 63MDPE x 50mm BSPT	EA	\$16.71
HTSSEAL1	63x40	MD	Fits 63MDPE x 40mm BSPT	EA	\$16.71
HTSSEAL1	63x32	MD	Fits 63MDPE x 32mm BSPT	EA	\$16.71
HTSSEAL1	63x25	MD	Fits 63MDPE x 25mm BSPT	EA	\$16.71
HTSSEAL2	50x40	MD	Fits 50MDPE x 40mm BSPT	EA	\$16.71
HTSSEAL2	50x32	MD	Fits 50MDPE x 32mm BSPT	EA	\$16.71
HTSSEAL2	50x25	MD	Fits 50MDPE x 25mm BSPT	EA	\$16.71
HTSSEAL3	40x32	MD	Fits 40MDPE x 32mm BSPT	EA	\$16.71
HTSSEAL3	40x25	MD	Fits 40MDPE x 25mm BSPT	EA	\$16.71
HTSSEAL4	32x25	MD	Fits 32MDPE x 25mm BSP T	EA	\$16.71

#### Tapping Saddle Seal Low Density



Code	Saddle	Pipe	Description	Pack Size	RRP
HTSSEAL1	50x50	LD	Fits 50LDPE x 50mm BSPT	EA	\$16.71
HTSSEAL1	50x40	LD	Fits 50LDPE x 40mm BSPT	EA	\$16.71
HTSSEAL1	50x32	LD	Fits 50LDPE x 32mm BSPT	EA	\$16.71
HTSSEAL1	50x25	LD	Fits 50LDPE x 25mm BSPT	EA	\$16.71
HTSSEAL2	40x40	LD	Fits 40LDPE x 40mm BSPT	EA	\$16.71
HTSSEAL2	40x32	LD	Fits 40LDPE x 32mm BSPT	EA	\$16.71
HTSSEAL2	40x25	LD	Fits 40LDPE x 25mm BSPT	EA	\$16.71
HTSSEAL3	32x32	LD	Fits 32LDPE x 32mm BSPT	EA	\$16.71
HTSSEAL3	32x25	LD	Fits 32LDPE x 25mm BSPT	EA	\$16.71
HTSSEAL4	25x25	LD	Fits 25LDPE x 25mm BSPT	EA	\$16.71

Prices are in AUD and are inclusive of 10% GST. Recommended Retail Prices are indicative and Actual Retail Prices may vary between retailers.

TECHNICAL INFORMATION *Fast Fit Tapping Saddles*

## *Fast Fit* Tapping Saddle Features and Benefits



### **SPIGOT**

The spigot helps locate and secure the Hansen Tapping Saddle onto the pipe, reducing loss of seal if the pipe or saddle move under load.



### **HINGE**

The ability to open past 180 degrees makes it an excellent choice for tight spots. The hinge stays connected for a fast, easy one piece installation.



### **BOLTS**

Only one bolt required which is fixed to the body ensuring no lost parts and the common Stainless Steel M8 bolt on all sizes means only one tool is required for installation - a major time saver. Larger sizes can have up to three bolts if preferred.



### **CUSTOM SEAL**

Small spigots on the internal seal that are visible from the outside help locate it correctly and remove any second guessing if the seal has been installed or not.



### **PILOT HOLE**

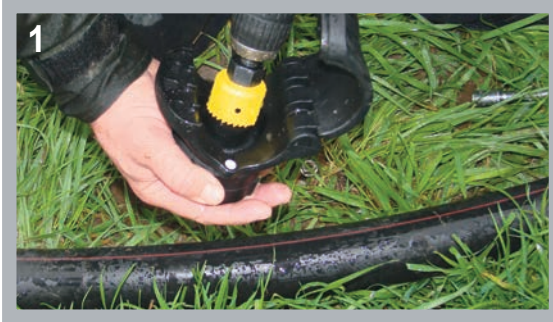
A pilot hole located at the base of each saddle makes installation easy.

- The spigot guarantees correct placement onto the pipe and security of seal.
- The hinge opens past 180 degrees allowing fast and easy installation in any situation.
- The hinge allows the saddle to remain as one piece which prevents loss of parts.
- The custom seal with spigots guarantees correct seal placement, a visible check of correct installation.
- The bolt fixed to the body ensuring quick, easy installation and no lost parts with extra bolt holes on the larger sized saddles for peace of mind.
- M8 Stainless Steel bolt on all sizes means only one tool required.
- The pilot hole in the base ensures correct hole placement.
- Compact design, manufactured from strong, non-corrosive UV stabilised materials for a long life.
- Packaging has all the information required for ease of purchase i.e. pipe size & type, thread DN, hole saw size etc.

*Fast Fit* Tapping Saddle Pressure Rating is 16 Bar @ 20 degrees Celsius.

## *Fast Fit Tapping Saddles* TECHNICAL INFORMATION

### *Fast Fit* Tapping Saddle Installation Instructions



1. Select hole saw to fit based on what is recommended on the base of the Tapping Saddle.



2. Use the pilot hole located on the base of the Hansen *Fast Fit* Tapping Saddle as a guide to start drilling, then remove the Hansen *Fast Fit* Tapping Saddle and complete the drilling. Clean off the burrs from the pipe to ensure a clear and clean sealing surface.



3. Ensure the internal seal is installed. Use the small white spigots to help locate it correctly. Place the Hansen *Fast Fit* Tapping Saddle around the pipe using the saddle spigot to help locate it in the drilled hole. Tighten bolt.



4. When adding additional fittings it is recommended that either a thread sealing paste or thread sealing tape be used on all threaded connections. We recommend LOCTITE 5331.

Fittings should be installed as per applicable standards and approvals for pipe and fittings. Failure to complete installation in accordance with applicable standards and approvals may void warranties given by Hansen Products (NZ) Limited in respect to the fitting. We recommend following pipe manufacturers guidelines.

Hansen Fast Fit Tapping Saddles should be installed onto Medium Density pipe that has been installed in accordance with the following standards:

- AS/NZS 2566 Part 1 and Supplement "Buried Flexible Pipelines - Structural Design" Detailed Installation and Site Pressure Testing.
- AS/NZS 2566 Part 2 "Installation".
- AS/NZS 2033 Installation of Polyethylene Pipe Systems.

For more information on best practice installations, please contact [info@hansenproducts.com](mailto:info@hansenproducts.com)

Failure to complete installation in accordance with the above standards, may void any warranties given by Hansen Products (NZ) Limited in respect to the Fitting. We recommend following pipe manufacturers guidelines.

# Fast Fit Tapping Saddle

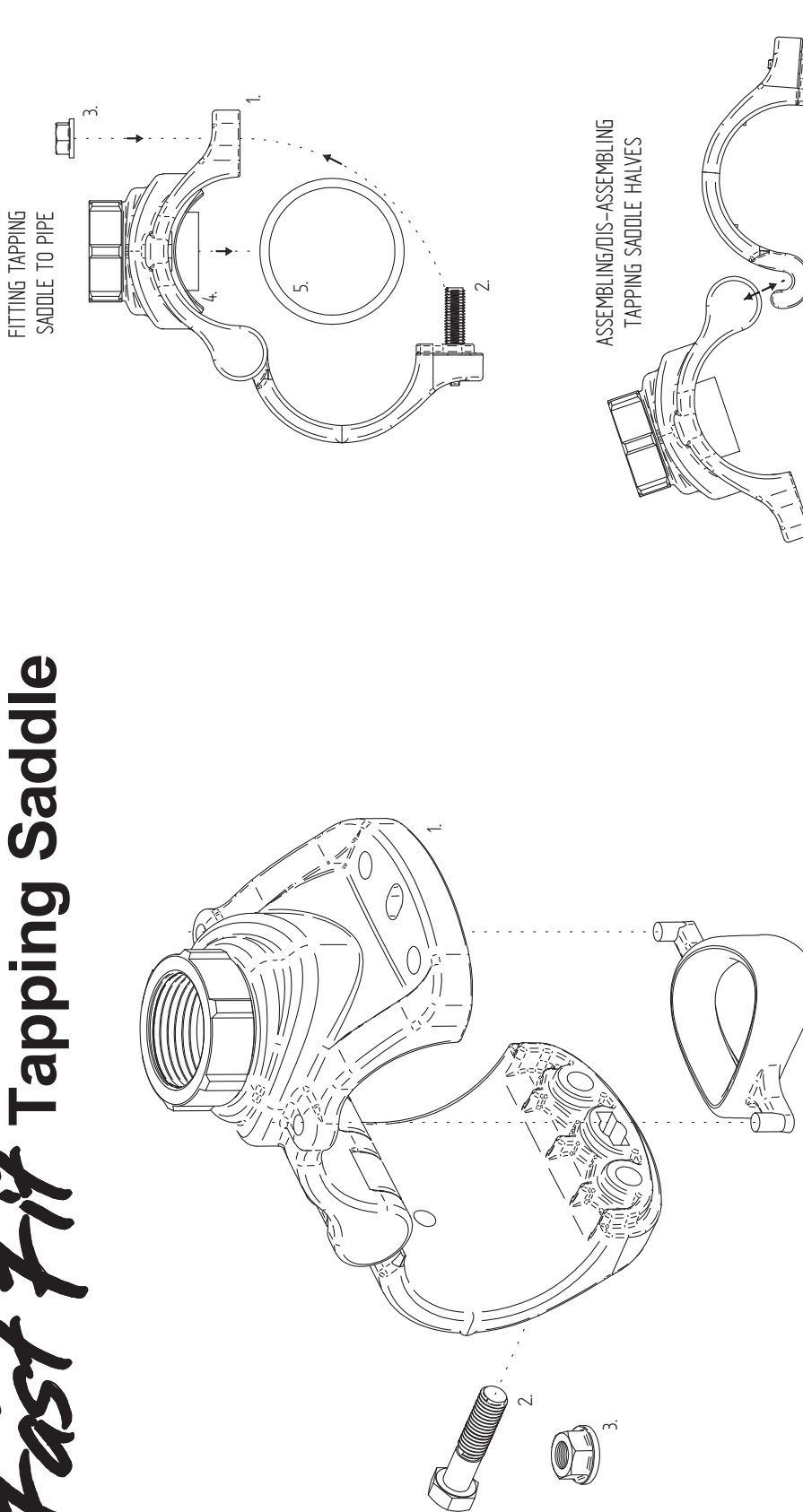
Email: info@hansenproducts.com.au  
 Website: www.hansenproducts.com.au



Best Installed Value

SADDLES

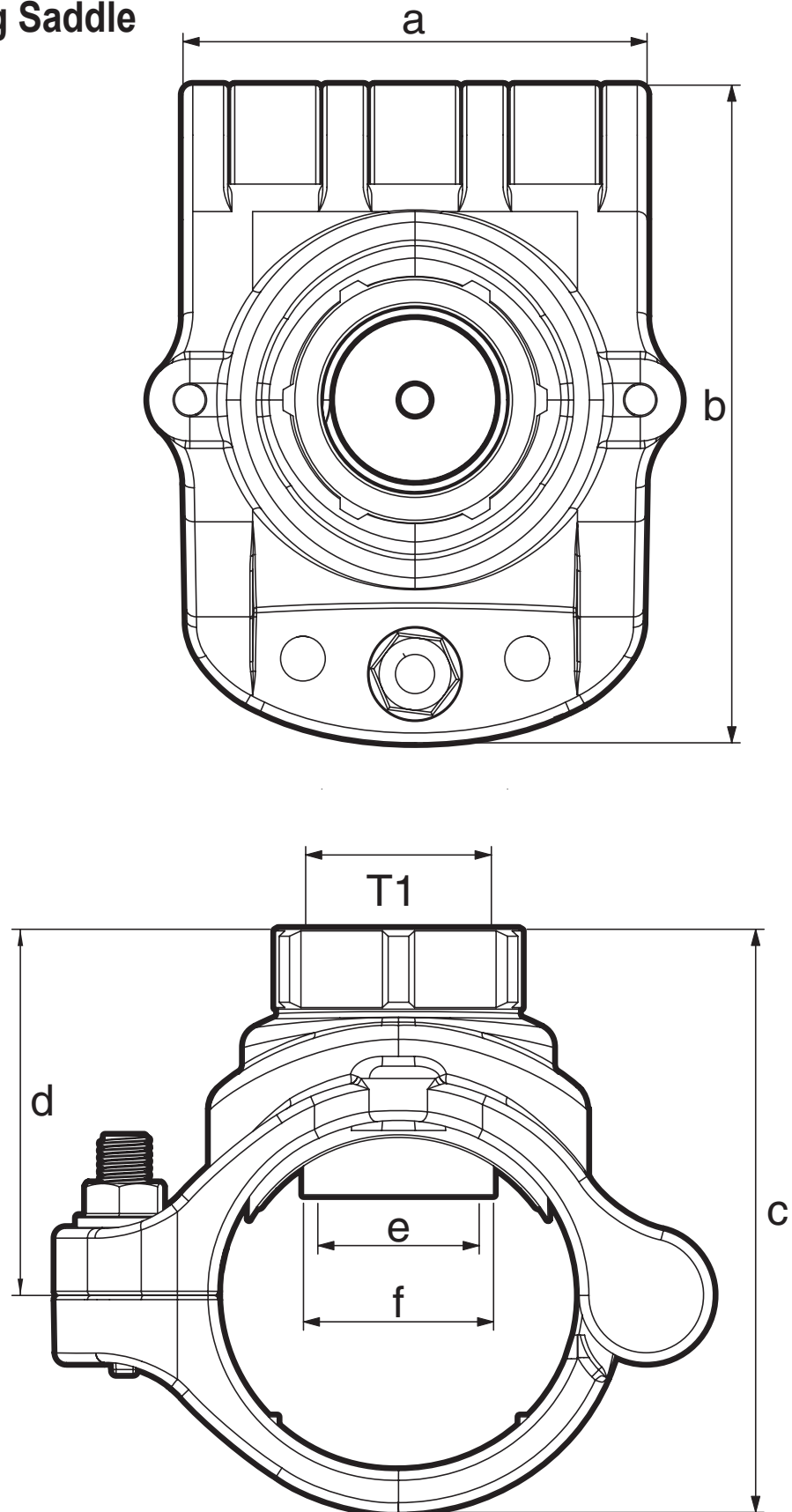
## TECHNICAL INFORMATION *Fast Fit Tapping Saddles*



Hansen Tapping Saddle		
No.	Product Code	Item Name
1	HTSLD/MD/RB	Hansen Tapping Saddle
2	-	Stainless Steel M8 Bolt
3	-	Stainless Steel Flange Nut
4	HTSSEAL	Hansen Tapping Saddle Seal
5	-	Pipe

## *Fast Fit Tapping Saddles* TECHNICAL INFORMATION

### *Fast Fit Tapping Saddle* Dimensions





TECHNICAL INFORMATION *Fast Fit Tapping Saddles*

*Fast Fit* Tapping Saddle Dimensions for LD poly pipe

Product Code	Saddle	Pipe	T1 BSPT (DN*)	a mm	b mm	c mm	d mm	e mm	f mm	Recommended Spigot Hole Size
HTSLD5050	50 x 50	LD	50mm (2")	83	113	110	75	29	34	35
HTSLD5040	50 x 40	LD	40mm (1 1/2")	83	113	104	69	29	34	35
HTSLD5032	50 x 32	LD	32mm (1 1/4")	83	113	102	67	29	34	35
HTSLD5025	50 x 25	LD	25mm (1")	83	113	98	63	29	34	35
HTSLD4040	40 x 40	LD	40mm (1 1/2")	68	96	90	63	21	26	28
HTSLD4032	40 x 32	LD	32mm (1 1/4")	68	96	88	61	21	26	28
HTSLD4025	40 x 25	LD	25mm (1")	68	96	84	57	21	26	28
HTSLD3232	32 x 32	LD	32mm (1 1/4")	61	86	83	59	16	21	22
HTSLD3225	32 x 25	LD	25mm (1")	61	86	78	54	16	21	22
HTSLD2525	25 x 25	LD	25mm (1")	50	78	71	51	13	18	19

*Fast Fit* Tapping Saddle Dimensions for MD poly pipe

Product Code	Saddle	Pipe	T1 BSPT (DN*)	a mm	b mm	c mm	d mm	e mm	f mm	Recommended Spigot Hole Size
HTSMD6350	63 x 50	MD	50mm (2")	83	118	117	78	29	34	35
HTSMD6340	63 x 40	MD	40mm (1 1/2")	83	118	111	72	29	34	35
HTSMD6362	63 x 32	MD	32mm (1 1/4")	83	118	108	69	29	34	35
HTSMD6325	63 x 25	MD	25mm (1")	83	118	104	65	29	34	35
HTSMD6320	63 x 20	MD	20mm (3/4")	83	118	102	63	29	34	35
HTSMD5040	50 x 40	MD	40mm (1 1/2")	68	100	97	66	21	26	28
HTSMD5032	50 x 32	MD	32mm (1 1/4")	68	100	95	64	21	26	28
HTSMD5025	50 x 25	MD	25mm (1")	68	100	91	60	21	26	28
HTSMD4032	40 x 32	MD	32mm (1 1/4")	61	88	85	60	16	21	22
HTSMD4025	40 x 25	MD	25mm (1")	61	88	81	56	16	21	22
HTSMD3225	32 x 25	MD	25mm (1")	50	78	71	51	13	18	19

The Tapping Saddles in this catalogue are protected by intellectual property rights owned by the Hansen group of companies in New Zealand. For more information refer to the legal information section.



Best Installed Value

Email: info@hansenproducts.com.au  
Website: www.hansenproducts.com.au

## *Fast Fit Tapping Saddles* TECHNICAL INFORMATION

### *Fast Fit* Tapping Saddle Frequently Asked Questions

**Q. Often it is hard to know if the seal is in place or if the saddle has moved on the pipe making it impossible to seal. Will the Hansen *Fast Fit* Tapping Saddle fix this problem?**

**A.** The Hansen *Fast Fit* Tapping Saddle covers this in two ways, firstly the spigot stops the possibility of the saddle moving past the hole in the pipe and secondly with the easy to view custom seal spigots you can see at a glance that the seal is in place.

**Q. The biggest problem installing saddles is losing parts when working in a trench, especially without much room to move, will the Hansen *Fast Fit* Tapping Saddle fix this problem?**

**A.** Yes, because the Hansen *Fast Fit* Tapping Saddle has a hinge and the bolt is fixed, which means you only need two hands to install the Hansen *Fast Fit* Tapping Saddle.

**Q. Is one bolt enough to hold the Hansen *Fast Fit* Tapping Saddle securely?**

**A.** Yes, under normal circumstances one bolt is sufficient but in the larger sized saddles there is an additional two holes you can bolt for peace of mind.

**Q. What sized hole saw will I need to use when installing the Hansen *Fast Fit* Tapping Saddle?**

**A.** The hole saw size information is marked on the Hansen *Fast Fit* Tapping Saddle body. One easy way to check the size is to test that the hole saw fits over the spigot but inside the seal area.

**Q. Will the hinge allow the Hansen *Fast Fit* Tapping Saddle to open wide enough to place around the pipe when working in confined spaces?**

**A.** Yes, you will find the Hansen *Fast Fit* Tapping Saddle easy to install in confined spaces because the hinge opens past 180° without losing the hinged connection.

**Q. Can I use Hansen *Fast Fit* Tapping Saddles under driveways, paths and foundations?**

**A.** Hansen does not recommend the use of any Hansen *Fast Fit* Tapping Saddles under any driveways, paths, or foundations.

# Irripod

# HANSEN<sup>™</sup>

Best Installed Value



IRRIPOD

## What is an Irripod Effluent System

- Irripod Effluent Systems are flexible, cost effective Pod Pipeline Systems for Effluent Distribution.
- Designed to operate at low pressure. The Irripod Effluent System distributes liquid effluent on a slow absorption rate over a 12-24 hour period. This allows for effective absorption into the soil whilst eliminating pooling and run off.
- The Irripod Effluent System is a component system that is simple to install and manage.
- The Irripod Effluent System utilises Protective Pod Skid covers over sprinklers that are attached to a 45mm Effluent Pipeline.
- The Irripod Effluent System can be configured to suit individual requirements depending on the application rates, the distance to be irrigated and the rotation intervals appropriate for the situation.
- Each Irripod Effluent System can be customised to suit varying paddock sizes and shapes while also accommodating existing obstructions.
- Irripod Effluent Systems are strong, lightweight and flexible.
- Easily moved by attaching the Hydrant or Pod lines to an ATV or farm vehicle.
- The irripod effluent system is designed to distribute liquid effluent (Solid materials separated via a dual pond system or solid separator, *not included*).

NOTE: The Irripod Effluent System has been designed to distribute liquid effluent only, it is important to remove solid materials.

## What is an Irripod Irrigation System

- Irripod Plus is a flexible, cost effective pipeline sprinkler irrigation system for pasture and forage crops.
- Designed to operate at low pressure Irripod Plus distributes water on a slow absorption rate over a 12-24-hour period. This allows for effective absorption into the soil whilst eliminating pooling and run off. The system only requires movement once per 12-24 hour period.
- Irripod Plus is a component system that is simple to install and manage. The system utilises protective Pod Skid covers over sprinklers that are attached to an irrigation pipeline. Irripod Plus can be configured to suit individual requirements dependant on application rates, the distance to be irrigated and the rotation intervals appropriate for the situation. Each Irripod irrigation line can be customised to suit varying paddock sizes and shapes while also accommodating existing obstructions.
- Irripod irrigation lines are strong, lightweight, flexible and easily moved while the system is operating by attaching the lines to an ATV or farm vehicle.
- The flexibility of Irripod Plus means the system can be configured for many different end uses in addition to traditional pasture and forage crop irrigation; these include orchards, golf courses, sports fields, race tracks, dust suppression in developing housing sub-divisions and bush fire protection.

With over 60 years experience in manufacturing, Hansen Products knows the importance that pipe fittings play in the performance and control of fluid delivery, flow and pressure within a pipe system. This has seen Hansen Products build a reputation for providing high performance, easy to use, innovative, simple products that provide our customers with "Best Installed Value". All Hansen products carry our Hansen Warranty.\*

\*For more information on our warranty please go to Legal section.



*Irripod White Pod Irrigation System (IRRW) in use*



*Irripod End of Line Single Pod (SINGLE25M) in use*

Complete Irripod



Complete White Irripod  
 Includes Tapping  
 Saddle Kits & Sprinkler  
 Riser  
 (Sprinkler Sold  
 Separately)

**Code & Description**

Pack Size	RRP
EA	\$213.33
EA	\$213.33
EA	\$213.33
EA	\$213.33
EA	\$213.33
EA	\$213.33
EA	\$222.53
EA	\$213.33
EA	\$213.33
EA	\$222.53
EA	\$213.33

<b>IRRW32LACME</b> White Pod Cover, Black Base, 32mm LDPE Tapping Saddle Kit, Low Riser ACME
<b>IRRW32L15FM</b> White Pod Cover, Black Base, 32mm LDPE Tapping Saddle Kit, Low Riser 15mm Female BSP
<b>IRRW32H15FM</b> White Pod Cover, Black Base, 32mm LDPE Tapping Saddle Kit, High Riser 15mm Female BSP
<b>IRRW40LACME</b> White Pod Cover, Black Base, 40mm LDPE Tapping Saddle Kit, Low Riser ACME
<b>IRRW40L15FM</b> White Pod Cover, Black Base, 40mm LDPE Tapping Saddle Kit, Low Riser 15mm Female BSP
<b>IRRW40L20M</b> White Pod Cover, Black Base, 40mm LDPE Tapping Saddle Kit, Low Riser 20mm Male BSP (Inc SS20)
<b>IRRW40H15FM</b> White Pod Cover, Black Base, 40mm LDPE Tapping Saddle Kit, High Riser 15mm Female BSP
<b>IRRW45L15FM</b> White Pod Cover, Black Base, 45mm LDPE Tapping Saddle Kit, Low Riser 15mm Female BSP
<b>IRRW45L20M</b> White Pod Cover, Black Base, 45mm LDPE Tapping Saddle Kit, Low Riser 20mm Male BSP (Inc SS20)
<b>IRRW45H15FM</b> White Pod Cover, Black Base, 45mm LDPE Tapping Saddle Kit, High Riser 15mm Female BSP

The Irripod Systems in this catalogue are protected by intellectual property rights owned by the Hansen group of companies in New Zealand. For more information refer to the legal information section.

Prices are in AUD and are inclusive of 10% GST. Recommended Retail Prices are indicative and Actual Retail Prices may vary between retailers.



## Complete Irripod



**Complete Black Irripod Includes Tapping Saddle Kits & Sprinkler Riser (Sprinkler Sold Separately)**

### Code & Description

**IRRB32LACME**

Black Pod Cover, Black Base, 32mm LDPE Tapping saddle kit, Low Riser ACME

**Pack Size**  
EA

**RRP**

\$213.33

**IRRB32L15FM**

Black Pod Cover, Black Base, 32mm LDPE Tapping saddle kit, Low Riser 15mm Female BSP

EA

\$213.33

**IRRB32H15FM**

Black Pod Cover, Black Base, 32mm LDPE Tapping saddle kit, High Riser 15mm Female BSP

EA

\$213.33

**IRRB40LACME**

Black Pod Cover, Black Base, 40mm LDPE Tapping saddle kit, Low Riser ACME

EA

\$213.33

**IRRB40L15FM**

Black Pod Cover, Black Base, 40mm LDPE Tapping saddle kit, Low Riser 15mm Female BSP

EA

\$213.33

**IRRB40L20M**

Black Pod Cover, Black Base, 40mm LDPE Tapping saddle kit, Low Riser 20mm Male BSP (Inc SS20)

EA

\$222.53

**IRRB40H15FM**

Black Pod Cover, Black Base, 40mm LDPE Tapping saddle kit, High Riser 15mm Female BSP

EA

\$213.33

**IRRB45L15FM**

Black Pod Cover, Black Base, 45mm LDPE Tapping saddle kit, Low Riser 15mm Female BSP

EA

\$213.33

**IRRB45L20M**

Black Pod Cover, Black Base, 45mm LDPE Tapping saddle kit, Low Riser 20mm Male BSP (Inc SS20)

EA

\$222.53

**IRRB45H15FM**

Black Pod Cover, Black Base, 45mm LDPE Tapping saddle kit, High Riser 15mm Female BSP

EA

\$213.33



**Complete Lilac Irripod Includes Tapping Saddle Kits & Sprinkler Riser (Sprinkler Sold Separately)**

### Code & Description

**IRRL45L20M**

Lilac Pod Cover, Black Base, 45mm LDPE Tapping Saddle Kit, Low Riser 20mm Male BSP (Inc SS20)

**Pack Size**  
EA




**RRP**

\$222.53

Prices are in AUD and are inclusive of 10% GST. Recommended Retail Prices are indicative and Actual Retail Prices may vary between retailers.

## Body and Base



	<b>Code &amp; Description</b>	<b>Pack Size</b>	<b>RRP</b>
	<b>IRRIPOD-BL</b> Black Pod Cover & Black Base to suit 32,40,45mm Pipe	EA	\$106.53
	<b>IRRIPOD-WH</b> White Pod Cover & Black Base to suit 32,40,45mm Pipe	EA	\$119.90
	<b>IRRIPOD-LI</b> Lilac Pod Cover & Black Base to suit 45mm Effluent Pipe	EA	\$147.40

## Tapping Saddle Kits To Suit 32, 40 or 45mm Pod Pipe



### Code & Description

**TSK32-40LDU**  
Tapping Saddle Kit to suit 32-40mm LD Pipe with U-Bolts

**TSK40-45LDU**  
Tapping Saddle Kit to suit 40-45mm LD Pipe with U-Bolts

*Irripod U-Bolt Tapping Saddle Kits for 32, 40 or 45mm LDPE Pipe contains:*

- 1 x Cross Tee Anchor
- 1 x Wire Protector
- 2 x Wire Retainer Clips
- 1 x Irripod Tapping Saddle Seal

*Irripod U-Bolt Bag (2 x M8 x 65mm Stainless Steel U Bolts, 4 x M8 Stainless Steel Flanged Nuts)*

*1 x Irripod Screw Bag (6 x 10g Pozi Pan Head Self Tapping Stainless Steel Screws)*

**Pack Size**  
EA

**RRP**  
\$93.72

EA \$93.72



### Code & Description

**TSK40-45USS**  
Tapping Saddle Kit 40-45mm with U-Bolts & Stainless Steel Bar

*Irripod U Bolt Tapping Saddle Kit for 40 or 45mm LDPE Pipe with a*

*Stainless Steel Wire Protector contains:*

- 1 x Cross Tee Anchor 40-45mm LDPE
- 1 x Stainless Steel Wire Protector
- 2 x Wire Retainer Clips
- 1 x Irripod Tapping Saddle Seal

*Irripod U Bolt Bag (2 x M8 x 65mm Stainless Steel U Bolts, 4 x M8 Stainless Steel Flanged Nuts)*

*1 x Irripod Screw Bag (6 x 10g Pozi Pan Head Self Tapping Stainless Steel Screws)*

**Pack Size**  
EA

**RRP**  
\$124.75



## Tapping Saddle Kits To Suit 32, 40 or 45mm Pod Pipe

...continued from previous page



### Code & Description

**POPKIT40LDU**  
40mm Pop Up Tapping Saddle Kit with U-Bolts

Pack Size	RRP
EA	\$162.80

*Irripod Pop Up Tapping Saddle Kit for 40mm LDPE Pipe contains:*

- 1 x Cross Tee Anchor 32-40mm LDPE
- 1 x Pop Up Tapping Saddle Body 40mm LDPE
- 1 x Pop Up Piston
- 1 x Pop Up Screw Cap
- 1 x Pop Up Pod Cover
- 1 x Pop Up Screw Cap Seal
- 2 x Wire Retainer Clips
- 1 x Irripod Tapping Saddle Seal
- 1 x Irripod Wire Protector
- 1 x O-Ring
- 1 x Irripod U Bolt Bag (2 x M8 x 65mm Stainless Steel U Bolts, 4 x M8 Stainless Steel Flanged Nuts)
- 1 x Irripod Screw Bag (6x10g, 4x6g Pozi Pan Head Self Tapping Stainless Steel Screws)



### Code & Description

**SINGLEKITU**  
20mm Single Pod Kit BSP with U-Bolts

Pack Size	RRP
EA	\$112.20

*Irripod Single Pod Tapping Saddle Kit for 20mm LDPE Pipe contains:*

- 1 x Handle 20mm Female x 25mm Male
- 2 x Wire Retainer Clips
- 1 x 20mm Hansen Socket
- 1 x 20mm Hansen Hex Nipple
- 1 x Irripod Wire Protector
- 1 x Irripod Screw Bag (6x10g, 2 x 12g Pozi Pan Head Self Tapping Stainless Steel Screws)
- 1 x Irripod U Bolt Bag (2 x M8 x 65mm Stainless Steel U Bolts, 4 x M8 Stainless Steel Flanged Nuts)



## Hydro Tapping Saddle Kits

### Hydropod Tapping Saddle Kit



### Code & Description

**TSKHYDROU**  
Tapping Saddle Kit Hydro 32-40mm LD U-Bolt

Pack Size	RRP
EA	\$90.15

*Hydropod U Bolt Tapping Saddle Kit contains:*

- 1 x Cross Tee Anchor 32-40mm LDPE
- 1 x Irripod Tapping Saddle Seal
- 1 x Irripod U Bolt Bag (2 x M8 x 65mm Stainless Steel U Bolts, 4 x M8 Stainless Steel Flanged Nuts)



**Tapping Saddle Tops to suit 32, 40 or 45mm Pod Pipe, 15 or 20mm Sprinklers**



*For use with Riser to suit Impact or Gear Drive Sprinklers*

**Code & Description**

<b>TST32LDL15F</b>	<b>Pack Size</b>	<b>RRP</b>
Tapping Saddle Top 32mm LD Low Riser 15mm Female BSP	EA	\$13.37
<b>TST40LDL15F</b>	EA	\$13.37
Tapping Saddle Top 40mm LD Low Riser 15mm Female BSP		
<b>TST45LDL15F</b>	EA	\$13.64
Tapping Saddle Top 45mm LD Low Riser 15mm Female BSP		



*For use with 5022 Nann Impact Sprinkler or Similar*

**Code & Description**

<b>TST32LDH15F</b>	<b>Pack Size</b>	<b>RRP</b>
Tapping Saddle Top 32mm LD High Riser 15mm Female BSP	EA	\$13.37
<b>TST40LDH15F</b>	EA	\$13.37
Tapping Saddle Top 40mm LD High Riser 15mm Female BSP		
<b>TST45LDH15F</b>	EA	\$21.40
Tapping Saddle Top 45mm LD High Riser 15mm Female BSP		



*For use with Nelson R2000 Sprinkler or Similar*

**Code & Description**

*Comes with  
1 x O-Ring*

<b>TST32LDLAC</b>	<b>Pack Size</b>	<b>RRP</b>
Tapping Saddle Top 32mm LD Low Riser ACME	EA	\$13.37
<b>TST40LDLAC</b>	EA	\$13.37
Tapping Saddle Top 40mm LD Low Riser ACME		



*For use with any 20mm Impact or Gear Drive Sprinklers*

**Code & Description**

*Comes with  
1 x 20mm Hansen  
Socket*

<b>TST40LDL20M</b>	<b>Pack Size</b>	<b>RRP</b>
Tapping Saddle Top 40mm LD Low Riser 20mm Male BSP	EA	\$29.37
<b>TST45LDL20M</b>	EA	\$29.37
Tapping Saddle Top 45mm LD Low Riser 20mm Male BSP		



## Regulator or Riser Spacers



### Code & Description

**ACME-F-MA**  
 ACME Female BSP Medium Riser  
*For use with ACME Low Base with Impact Sprinkler*

**Pack Size**  
 EA

**RRP**  
 \$10.73



**ACME-MF-HA**  
 ACME Male/Female High Riser (comes with O-Ring)  
*Use with ACME Low Base, replaces Nelson regulator*

EA

\$10.73



**ACME-MM-LA**  
 ACME Male/Male BSP Low Riser (comes with O-Ring)  
*Converts BSP Low Base to ACME Thread*

EA

\$10.73



## Pod Pipe



### Code & Description

**IP32100**  
 32mm LDPE Pipe, 100 metres

**Pack Size**  
 EA

**RRP**  
 POA

**IP32200**  
 32mm LDPE Pipe, 200 metres

EA

POA

**IP40100**  
 40mm LDPE Pipe, 100 metres

EA

POA

**IP40200**  
 40mm LDPE Pipe, 200 metres

EA

POA

**IRRIPOD45100**  
 45mm LDPE Pipe, 100 metres

EA

POA



**IRRIPOD45200**  
 45mm LDPE Pipe, 200 metres

EA

POA

**2230.45.PN5.100**  
 45mm Effluent Pipe, 100 metres

EA

POA

**2230.45.PN5.200**  
 45mm Effluent Pipe, 200 metres

EA

POA

Prices are in AUD and are inclusive of 10% GST. Recommended Retail Prices are indicative and Actual Retail Prices may vary between retailers.

## Irripod Lifestyle 32 Pack

*Irripod Lifestyle 32 Pack is a flexible, cost effective pipeline sprinkler irrigation system. This pack is best suited for blocks of land with smaller paddock sizes up to 1 hectare. It's well suited to both conventional shaped paddocks as well as irregular and rolling type country due to it's flexible nature, making it adaptable to suit the many different size and shaped properties.*



### Code & Description

**IRRIPOD2PACK\*** Lifestyle 32 Two Pod 25 Metre Pack

**Pack Size**

EA

**RRP**

POA

*Irripod Lifestyle 32 Two Pod Pack contains:*

- 2 x Black Pod and Base
- 2 x Naan 5035 SD Sprinkler with 4.0mm Nozzle
- 2 x Wire Protector
- 4 x Wire Retainer Clips
- 2 x Cross Tee Anchor 32-40 LDPE
- 2 x 32mm LD Low Riser 20mm Male BSP with O-Ring
- 2 x 20mm Hansen Hex Socket
- 1 x 32mm Hansen Female Straight
- 1 x 32mm Hansen Tow Eye
- 2 x Irripod Screw Bag (6 x 10g, 2x12g Pozi Pan Head Self Tapping Stainless Steel Screws)
- 2 x Irripod U Bolt Bag (2 x M8 x 65mm Stainless Steel U Bolts, 4 x M8 Stainless Steel Flanged Nuts)
- 1 x 2 Meter Tow Rope
- 1 x 32mm x 25 Meter LDPE Pipe
- 1 x 15mm Drill Bit
- 1 x Screw Bit
- 1 x 13mm Ring Spanner
- 1 x Ceelon Red tape

*\*Non stock item, available on request*



### Code & Description

**IRRIPOD4PACK\*** Lifestyle 32 Four Pod 50 Metre Pack

**Pack Size**

EA

**RRP**

POA

*Irripod Lifestyle 32 Four Pod Pack contains:*

- 4 x Black Pod and Base
- 4 x Naan 5035 SD Sprinkler with 3.5mm Nozzle
- 4 x Naan 4.0mm Nozzle
- 4 x Wire Protector
- 8 x Wire Retainer Clips
- 4 x Cross Tee Anchor 32-40 LDPE
- 4 x 32mm LD Low Riser 20mm Male BSP with O-Ring
- 4 x 20mm Hansen Hex Socket
- 1 x 32mm Hansen Female Straight
- 1 x 32mm Hansen Tow Eye
- 4 x Irripod Screw Bag (6 x 10g, 2x12g Pozi Pan Head Self Tapping Stainless Steel Screws)
- 4 x Irripod U Bolt Bag (2 x M8 x 65mm Stainless Steel U Bolts, 4 x M8 Stainless Steel Flanged Nuts)
- 1 x 2 Meter Tow Rope
- 1 x 32mm x 50 Meter LDPE Pipe
- 1 x 15mm Drill Bit
- 1 x Screw Bit
- 1 x 13mm Ring Spanner
- 1 x Ceelon Red tape

*\*Non stock item, available on request*



## Retail Packs

### Irripod Single Pod 25 Metre Kit

*Irripod Single Pod Kit is a versatile, strong, portable Sprinkler Irrigation System. The Single Pod sprinkler is ideally suited to fit in small paddocks or irregular shaped areas where it is difficult to fit traditional irrigation systems. Irripod Single Pod Sprinkler is designed to operate off a standard 19mm garden hose or 20mm Polyethylene Pipe, has a coverage area of 500 sqm and an intensity rate of 2.6mm per hour, with the ability to operate at very low pressures (3 Bar).*



#### Code & Description

**SINGLE25M** Single Pod 25 Metre Kit

**Pack Size**

EA

**RRP**

\$242.00

*Irripod 25 Metre Single Pod Kit contains:*

- 1 x Black Pod and Base
- 1 x Naan 5035 SD Sprinkler
- 1 x Wire Protector
- 2 x Wire Retainer Clips
- 1 x Handle 20mm Female x 25mm Male
- 1 x 25mm Hansen Female Straight
- 1 x 20mm Hansen Hex Socket
- 1 x 20mm Hansen Hex Nipple
- 1 x Irripod Screw Bag (6 x 10g, 2x12g Pozi Pan Head Self Tapping Stainless Steel Screws)
- 1 x Irripod U Bolt Bag (2 x M8 x 65mm Stainless Steel U Bolts, 4 x M8 Stainless Steel Flanged Nuts)

### Irripod Multi Fit Single Pod Kit

*Irripod Multi Fit Single Pod Kit is a flexible, cost effective Irrigation Pod Skid that can be used as a replacement Pod or as an extension to existing sprinkler irrigation systems. Designed to fit 32mm or 40mm LDPE pipe and to accommodate all LDPE fitting and sprinkler configurations.*



#### Code & Description

**MULTIPOD** Multi Fit Single Pod Kit

**Pack Size**

EA

**RRP**

POA

*Irripod Multi Fit Single Pod Kit contains:*

- 1 x Black Pod and Base
- 1 x Wire Protector
- 2 x Wire Retainer Clips
- 1 x Irripod Tapping Saddle Seal
- 1 x Cross Tee Anchor 32-40 LDPE
- 1 x 32mm ACME Tapping Saddle Top
- 1 x 40mm ACME Tapping Saddle Top
- 1 x 32mm ACME LD Low Riser with O-Ring
- 1 x 15mm x 15mm ACME Male/Female High Riser with O-Ring
- 1 x 15mm x 15mm ACME Female BSP Medium Riser
- 1 x Irripod U Bolt Bag (2 x M8 Stainless Steel U Bolts, 4 x M8 Stainless Steel Flanged Nuts)
- 1 x Irripod Screw Bag (6x10g Pozi Pan Head Self Tapping Stainless Steel Screws)

**Effluent System**



**Code & Description**  
**EFFLUENTSYS**  
 Effluent System Part A,B,C,D

<b>Pack Size</b>	<b>RRP</b>
EA	POA

*Effluent System Set contains:*  
 1 x Part A - 90mm Adaptor Set  
 1 x Part B - Sub Main Set  
 1 x Part C - Pod Hydrants  
 3 x Part D - Pod Sprinkler Lines



**Code & Description**  
**EFFLUENT-A**  
 Effluent 90mm Adaptor

<b>Pack Size</b>	<b>RRP</b>
EA	POA

*Irripod Effluent 90mm Adaptor Set is used to attach a 90mm Effluent Pipeline to the 45mm Sub Main Set (Part B)*  
 Contains:

- 1 x Hansen 80mm Male Camlock Threaded Adaptor
- 1 x Hansen 100mm Female Elbow
- 1 x Hansen 100 x 50mm Reducing Bush
- 1 x Hansen 100 x 80mm Reducing Bush
- 2 x Hansen 50mm Hex Nipples
- 1 x Hansen 50mm Lilac Ball Valve
- 1 x 50mm Female Camlock PP
- 2 x 1/2" Thread Tape

*Packaging 1 x Box*



**Code & Description**  
**EFFLUENT-B**  
 Effluent Sub Main Set

<b>Pack Size</b>	<b>RRP</b>
EA	POA

*Irripod Effluent Sub Main Set is used to attach to the Adaptor Set (Part A)*  
 Contains:

- 2 x Hansen 45mm Camlock with Lilac Nut
- 1 x 50mm Female Camlock PP
- 1 x Hansen 50mm Tow Eye BSPT
- 1 x Effluent Pipe 45mm x 50m Lilac coded
- 1 x Yellow Tow Ball
- 1 x Tow Rope 2 metre spliced ends
- 2 x 1/2" Thread Tape

*Packaging 1 x Box & 1 x Coil of Pipe*



## Effluent System

...continued from previous page



### Code & Description

**EFFLUENT-C**

Effluent Pod Hydrants

**Pack Size**

EA

**RRP**

POA

*Irripod Effluent Pod Hydrants are attached to the Effluent Pipe at 20m intervals to distribute the Effluent to the Pod Sprinkler Lines.*

*Contains:*

- 3 x Irripod Low Bases*
- 12 x M8 x 25 Stainless Steel Cap Screws*
- 3 x Hansen Manifold Block 50mm 4 Way BSP*
- 6 x Hansen 50mm Hex Nipples*
- 6 x Hansen 45mm Male Straight Coupling with Lilac Nut*
- 6 x Hansen 50mm Lilac Ball Valves BSP*
- 6 x 50mm Male Camlock PP*
- 3 x 1/2" Thread Tape*

*Packaging 1 x Box*



### Code & Description

**EFFLUENT-D**

Effluent Pod Lines

Part D - Pod Sprinkler Lines

**Pack Size**

EA

**RRP**

POA

*Irripod Effluent Pod Sprinkler Lines are attached to the Effluent Pipe at 20m intervals to distribute the Effluent.*

*Contains:*

- 6 x Lilac Pods with Black Bases*
- 6 x 20mm Naan 5035 SD Sprinklers*
- 6 x Irripod 45mm LDPE Low Riser 20mm Male BSP Tapping Saddle Tops*
- 6 x Hansen 20mm Sockets*
- 2 x Hansen 45mm Camlock with Lilac Nut*
- 1 x 50mm Female Camlock PP*
- 1 x Hansen 50mm Tow Eye BSPT*
- 1 x Irripod Effluent Pipe 45mm x 120m Lilac coded*
- 1 x Yellow Tow Ball*
- 1 x Tow Rope 2 Metre Spliced Ends*
- 6 x Cross Tee Anchor 40-45mm LDPE*
- 6 x Wire Protectors*
- 12 x Wire Retainer Clips*
- 6 x Tapping Saddle Seals*
- 6 x Irripod Screw Bags (6 x 10g Pozi Pan Head Self Tapping Stainless Steel Screws)*
- 6 x Irripod U-Bolt Bags (2 x M8 x 65mm Stainless Steel U Bolts, 4 x M8 Stainless Steel Flanged Nuts)*

*Packaging 1x Box and 1x Coil of 45mm Effluent Pipe*

Prices are in AUD and are inclusive of 10% GST. Recommended Retail Prices are indicative and Actual Retail Prices may vary between retailers.

## Accessories



### For use with LDPE Poly Pod Pipe



**Tow Eye**  
Poly x Tow Eye  
LDPE Pipe

Code	Description	Pack Size	RRP
PODTE32	32mm Tow Eye LDPE Pipe	EA	\$35.75
PODTE40	40mm Tow Eye LDPE Pipe	EA	\$45.71
PODTE45	45mm Tow Eye LDPE Pipe	EA	\$51.32



**Tow Eye**  
NPT x Tow Eye

PODTE50	50mm BSP Threaded Tow Eye	EA	\$31.74
---------	---------------------------	----	---------



PODTE50NPT*	50mm NPT Threaded Tow Eye	EA	\$31.74
-------------	---------------------------	----	---------

\* NPT Products are a non stock item, available on request

### For use with LDPE Poly Pod Pipe

**Straight Coupling**  
Poly x Poly



Code	Metric	Imperial	Pack Size	RRP
HS32	32mm x 32mm	1 1/4" x 1 1/4"	EA	\$15.90
HS40	40mm x 40mm	1 1/2" x 1 1/2"	EA	\$19.31
HS45	45mm x 45mm	1 3/4" x 1 3/4"	EA	\$43.34

### For use with LDPE Poly Pod Pipe

**Reducing Straight Coupling**  
Poly x Poly



Code	Metric	Imperial	Pack Size	RRP
HRS4032	40mm x 32mm	1 1/2" x 1 1/4"	EA	\$20.02
HRS4540	45mm x 40mm	1 3/4" x 1 1/2"	EA	\$45.10

### For use with LDPE Poly Pod Pipe

**Male Straight Coupling**  
BSPT x Poly



Code	Metric	Imperial	Pack Size	RRP
HMS32	32mm x 32mm	1 1/4" x 1 1/4"	EA	\$9.85
HMS40	40mm x 40mm	1 1/2" x 1 1/2"	EA	\$12.93
HMS45	50mm x 45mm	2" x 1 3/4"	EA	\$34.21



## Accessories

### Female Straight Coupling

BSPT x Poly



Code	Metric	Imperial	Pack Size	RRP
<b>HFS32</b>	32mm x 32mm	1 1/4" x 1 1/4"	EA	\$11.99
<b>HFS40</b>	40mm x 40mm	1 1/2" x 1 1/2"	EA	\$16.12
<b>HFS40NPT</b>	40mm x 40mm NPT	1 1/2" x 1 1/2" NPT	EA	\$16.12

*NPT Products are a non stock item, available on request*

*Fits Aluminium & Polypropylene Camlocks. The Hansen 45mm Camlock fits the Irripod 45mm Pipe System.*

### Male Camlock

Male Camlock x Poly



Code	Metric	Imperial	Pack Size	RRP
<b>HCEP32</b>	32mm	1 1/4"	EA	\$24.83
<b>HCEP40</b>	40mm	1 1/2"	EA	\$22.77
<b>HCEP45</b>	45mm	1 3/4"	EA	\$41.25

### Lilac Nut



Code	Metric	Imperial	Pack Size	RRP
<b>HPNL45</b>	45mm	1 3/4"	EA	\$9.24





White Irripod 40mm system running

Prices are in AUD and are inclusive of 10% GST. Recommended Retail Prices are indicative and Actual Retail Prices may vary between retailers.





Parts

	Code & Description	Pack Size	RRP
 <p><b>Cross Tee Anchor</b></p>	<b>CTA32-40LD</b> Cross Tee Anchor 32-40mm LDPE	EA	\$21.45
	<b>CTA40-45LD</b> Cross Tee Anchor 40-45mm LDPE	EA	\$21.45

	Code & Description	Pack Size	RRP
 <p><b>Manifold</b></p>	<b>MANIFOLD</b> 50mm Manifold 4 Way BSP	EA	\$79.19
	<b>MANIFOLDNPT*</b> 50mm Manifold 4 Way NPT	EA	\$79.19
	<b>MANIFOLD25M</b> 50mm Manifold 5 Way BSP includes 25mm BSPT Thread Hole in Top Spigot	EA	\$122.49

*\*Non stock item, available on request*




Irripod Pop Up Parts		Code & Description	Pack Size	RRP
 <p><b>Pop Up Screw Cap</b></p>	<b>POPCAP</b> Pop Up Tapping Saddle Screw Cap	EA	\$24.57	

	Code & Description	Pack Size	RRP
 <p><b>Pop Up Pod Cover</b></p>	<b>POPCOVER</b> Pop Up Pod Cover	EA	\$32.81






Prices are in AUD and are inclusive of 10% GST. Recommended Retail Prices are indicative and Actual Retail Prices may vary between retailers.



## Parts

	Code & Description	Pack Size	RRP
<b>Pop Up Piston</b> 	<b>POPISTON</b> Pop Up Piston with O-Ring Seal ACME Thread	EA	\$24.57
<b>Pop Up Screw Cap Seal</b> 	<b>POPSEAL</b> Pop Up Tapping Saddle Screw Cap Seal	EA	\$10.94
<b>Pop Up Tapping Saddle Top</b> 	<b>TST40LDPOP</b> 40mm LDPE Pop Up Tapping Saddle Top	EA	\$54.64

## Irripod Covers & Bases

	Code & Description	Pack Size	RRP
	<b>IP-COVER-BL</b> Black Pod Cover	EA	\$71.06
	<b>IP-COVER-LI</b> Lilac Pod Cover	EA	\$80.08
	<b>IP-COVER-WH</b> White Pod Cover	EA	\$69.63
	<b>IP-BASE-BLK</b> Black Base for 32mm, 40mm and 45mm Pipe	EA	\$71.06
	<b>IP-LOWBASE</b> Black Low Base for 45mm Effluent Pipe For use in Effluent Pack Part C	EA	\$49.19

Prices are in AUD and are inclusive of 10% GST. Recommended Retail Prices are indicative and Actual Retail Prices may vary between retailers.

## Irripod Wire Protectors

*Protects Pods and Sprinklers from damage*



Code & Description	Pack Size	RRP
<b>IP-WIRE</b> Wire Protector	EA	\$26.73
<b>IP-WIRE-SS</b> Wire Protector Stainless Steel	EA	\$54.64
<b>IP-WIRECLIP</b> Wire Retainer Clip	EA	\$5.34

## Irripod Bolts, Screws, Seals & U Bolts

*Irripod Screw Bag*



Code & Description	Pack Size	RRP
<b>IP-SCREWS</b> Irripod Screw Bag	EA	\$14.58

*1 x Irripod Screw Bag (6 x10g Pozi Pan Head Self Tapping Stainless Steel Screws)*



Code & Description	Pack Size	RRP
<b>IP-SEAL</b> Tapping Saddle Seal 24.99mm ID x 3.53mm	EA	\$4.17



Code & Description	Pack Size	RRP
<b>IP-UBOLTS</b> U-Bolt Bag	EA	\$53.46

*1 x Irripod U-Bolt Bag (2 x M8 x 65mm Stainless Steel U Bolts, 4 x M8 Stainless Steel Flanged Nuts)*



Code & Description	Pack Size	RRP
<b>HANDLE25</b> 20mm Single Pod Handle Female BSP	EA	\$57.38



## Accessories

### Fence Signs



Code	Description	Pack Size	RRP
<b>SIGN1</b>	240mm Movement Fence Sign Yellow No 1	EA	\$15.51
<b>SIGN2</b>	240mm Movement Fence Sign Yellow No 2	EA	\$15.51
<b>SIGN3</b>	240mm Movement Fence Sign Yellow No 3	EA	\$15.51
<b>SIGN4</b>	240mm Movement Fence Sign Yellow No 4	EA	\$15.51
<b>SIGN5</b>	240mm Movement Fence Sign Yellow No 5	EA	\$15.51
<b>SIGN6</b>	240mm Movement Fence Sign Yellow No 6	EA	\$15.51
<b>SIGN7</b>	240mm Movement Fence Sign Yellow No 7	EA	\$15.51
<b>SIGN8</b>	240mm Movement Fence Sign Yellow No 8	EA	\$15.51
<b>SIGN9</b>	240mm Movement Fence Sign Yellow No 9	EA	\$15.51
<b>SIGN10</b>	240mm Movement Fence Sign Yellow No 10	EA	\$15.51
<b>SIGN11</b>	240mm Movement Fence Sign Yellow No 11	EA	\$15.51
<b>SIGN12</b>	240mm Movement Fence Sign Yellow No 12	EA	\$15.51
<b>SIGN13</b>	240mm Movement Fence Sign Yellow No 13	EA	\$15.51
<b>SIGN14</b>	240mm Movement Fence Sign Yellow No 14	EA	\$15.51



### Tow Balls

#### Code & Description

##### TOWBALL

Tow Trailer Tow Ball Yellow

**Pack Size**

**RRP**

EA

\$52.91

### Tow Rope

#### Code & Description

##### TOWROPE

Tow Rope 2 Metre Spliced Ends

**Pack Size**

**RRP**

EA

\$37.29



### Tow Trailer

*Irripod Tow Trailers have been designed to enable the easy movement of your Irripod Irrigation or Effluent Systems. The Irripod Tow Trailer features a quick release mechanism that allows the shift to be completed without having to leave the Tow Vehicle.*



#### Code & Description

##### TOWTRAILER

Irripod Tow Trailer

**Pack Size**

**RRP**

EA

POA

Prices are in AUD and are inclusive of 10% GST. Recommended Retail Prices are indicative and Actual Retail Prices may vary between retailers.



[www.irripod.com](http://www.irripod.com)

# Irrigation System

For all Technical Irripod Irrigation  
queries please either phone or email  
our Irripod Market Manager

**Nigel Henigan**  
Mobile: + 64 21 963 432  
Email: [nigel.henigan@irripod.com](mailto:nigel.henigan@irripod.com)

# What is Irripod Irrigation?

Irripod Plus is a flexible, cost effective pipeline sprinkler irrigation system for pasture and forage crops.

Designed to operate at low pressure Irripod Plus distributes water on a slow absorption rate over a 12-24 hour period. This allows for effective absorption into the soil whilst eliminating pooling and run off. The system only requires movement once per 12-24 hour period.

Irripod Plus is a component system that is simple to install and manage. The system utilises protective Pod Skid covers over sprinklers that are attached to an irrigation pipeline. Irripod Plus can be configured to suit individual requirements dependant on application rates, the distance to be irrigated and

the rotation intervals appropriate for the situation. Each Irripod irrigation line can be customised to suit varying paddock sizes and shapes while also accommodating existing obstructions.

Irripod irrigation lines are strong, lightweight, flexible and easily moved while the system is operating by attaching the lines to an ATV or farm vehicle.

The flexibility of Irripod Plus means the system can be configured for many different end uses in addition to traditional pasture and forage crop irrigation; these include orchards, golf courses, sports fields, race tracks, dust suppression in developing housing subdivisions and bush fire protection.

## Multiple Configuration Options



Irripod Pop-Up Pod



Irripod Lilac Effluent System



Irripod Plus High Visibility Pod



Irripod DIY Black Pod

The Irripod Systems in this catalogue are protected by intellectual property rights owned by the Hansen group of companies in New Zealand. For more information refer to the legal information section.

## Advantages of Irripod Plus Systems

### Lower Cost of Ownership

- Allows irrigation of more marginal land.
- Simple to add to irrigation scheme as funding allows.
- Low pressure system translates into lower running costs.
- Only requires one person to shift the lines.

### Simple Technology

- Easy to understand and manage.
- Does not require specialist skills or tools.

### Efficient Water Application

- Low sprinkler height means less wind drift and effective water distribution pattern.
- Mimics natural rainfall allowing for efficient soil water absorption and less runoff.
- Smaller droplet size means less soil compaction.

### Versatile

- Able to be used on flat or rolling country and with odd shaped fields.
- Able to be turned on and off without waiting for the irrigation cycle to be completed.
- The system can be left on while livestock are in the field.



## Reasons to Specify Irripod Plus

### Innovative Robust Design

- Fittings prevent the Pod unit from slipping or twisting on the pipe.
- Wire protection Bar across the top of the Pod provides sprinkler protection against mechanical damage when shifting lines as well as damage from stock.

### In Line and Single Pod Component System

- Assembly of the sprinkler to the Pod Skid Base prior to the Pod cover being attached saves on installation time.
- The two piece Irripod can be replaced without cutting or rethreading the pipeline.

### Multiple Configuration Options

- Irripod accommodates multiple sprinkler sizes and 32mm (1 1/4"), 40mm (1 1/2") or 45mm (1 3/4") irrigation pipe sizing.

### 'Pop-Up' Sprinkler Option for 40mm (1 1/2")

- Prevents hoof and leg injury in young stock and sprinkler damage from inquisitive stock.
- Incorporates Nelson R2000 sprinkler with options to regulate.

### 45mm System

- Designed to operate on High Volume 45mm (1 3/4") Irrigation pipe.
- Incorporates 20mm (3/4") sprinklers, allowing for greater coverage and higher water volumes.

### Effluent System

- Irripod Effluent Systems distribute liquid effluent on a slow absorption rate.
- Irripod Effluent Systems incorporates 45mm (1 3/4") design technology.
- Internationally recognised Lilac colouring depicting effluent dispersal.

### Quality Materials

- High impact UV resistant plastic construction coupled with long life corrosion proof fastenings.

### Operating Guidelines

#### Irripod Plus System Management

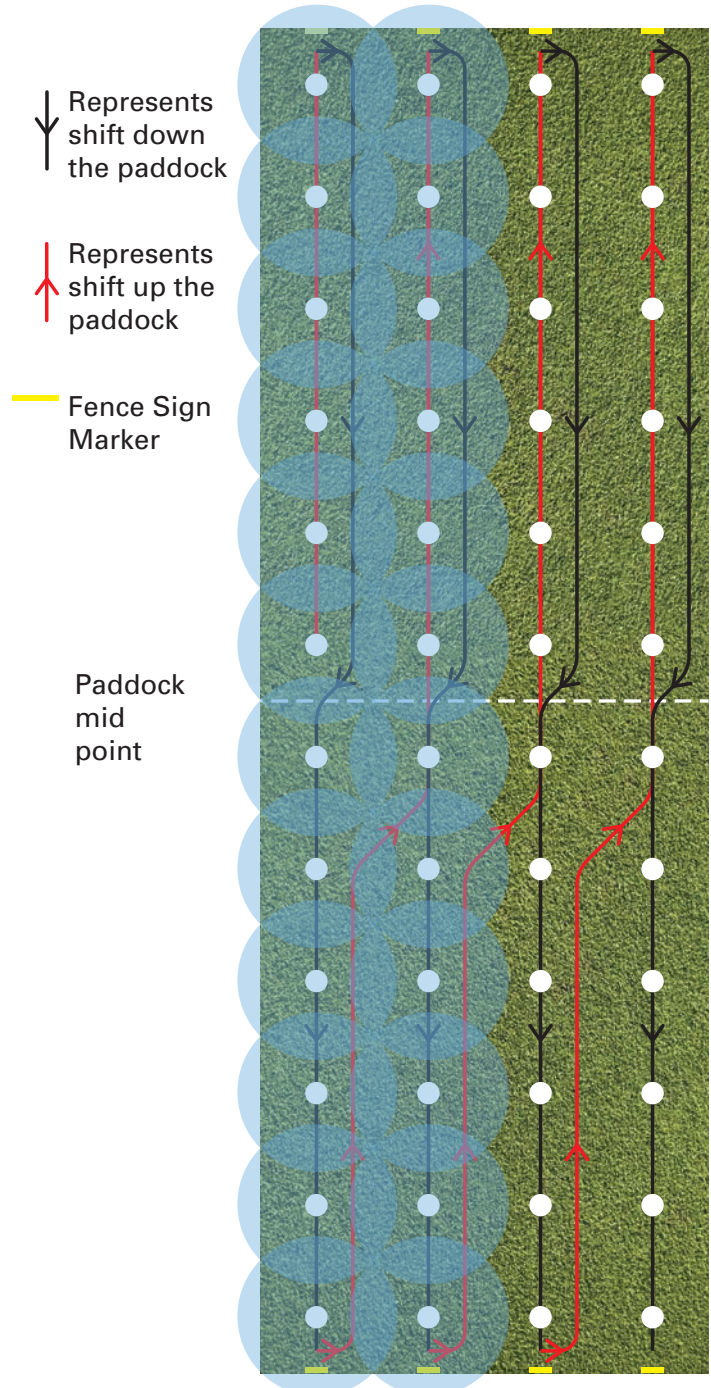
- Moving Times – 12 or 24 hours, dependant upon system design.
- Return Times – Range from 8 to 14 days and are determined by soil structure, pasture/crop type, water availability and local climate conditions.

#### Moving Irrigation Lines

Irripod Plus lines have been designed to be moved whilst still operating. The system can be moved simply and safely with very little effort.

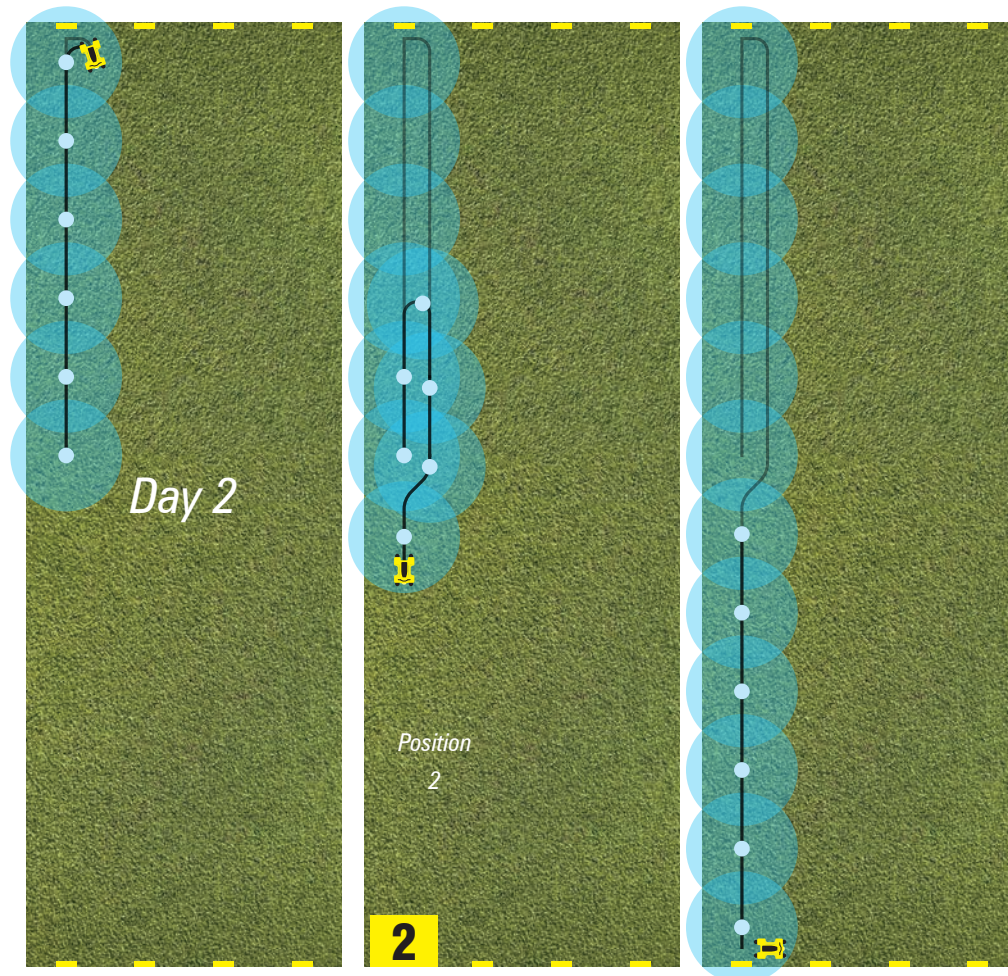
- Movement is typically done by an ATV. Do not exceed ATV manufacturer's recommendations for maximum towing weight.
- Use markers on the fence to align the irrigation line movements at required increments.
- Picking up irrigation lines is done using the Hansen Tow Hook and Tow Rope which is secured to the ATV or other farm vehicle.
- Ensure the ATV or farm vehicle is facing the direction the line is to be towed.
- In one smooth movement proceed to skid the Feed/Sprinkler line towards the marker sign at the other end of the field, keeping the line within a couple of meters of its self for as long as possible to prevent pod rollover. Once line is in place unhook and proceed to next line.

See example below of an Entire Movement Rotation of your Irripod System





## Example of Moving an Irripod System Steps 1 and 2



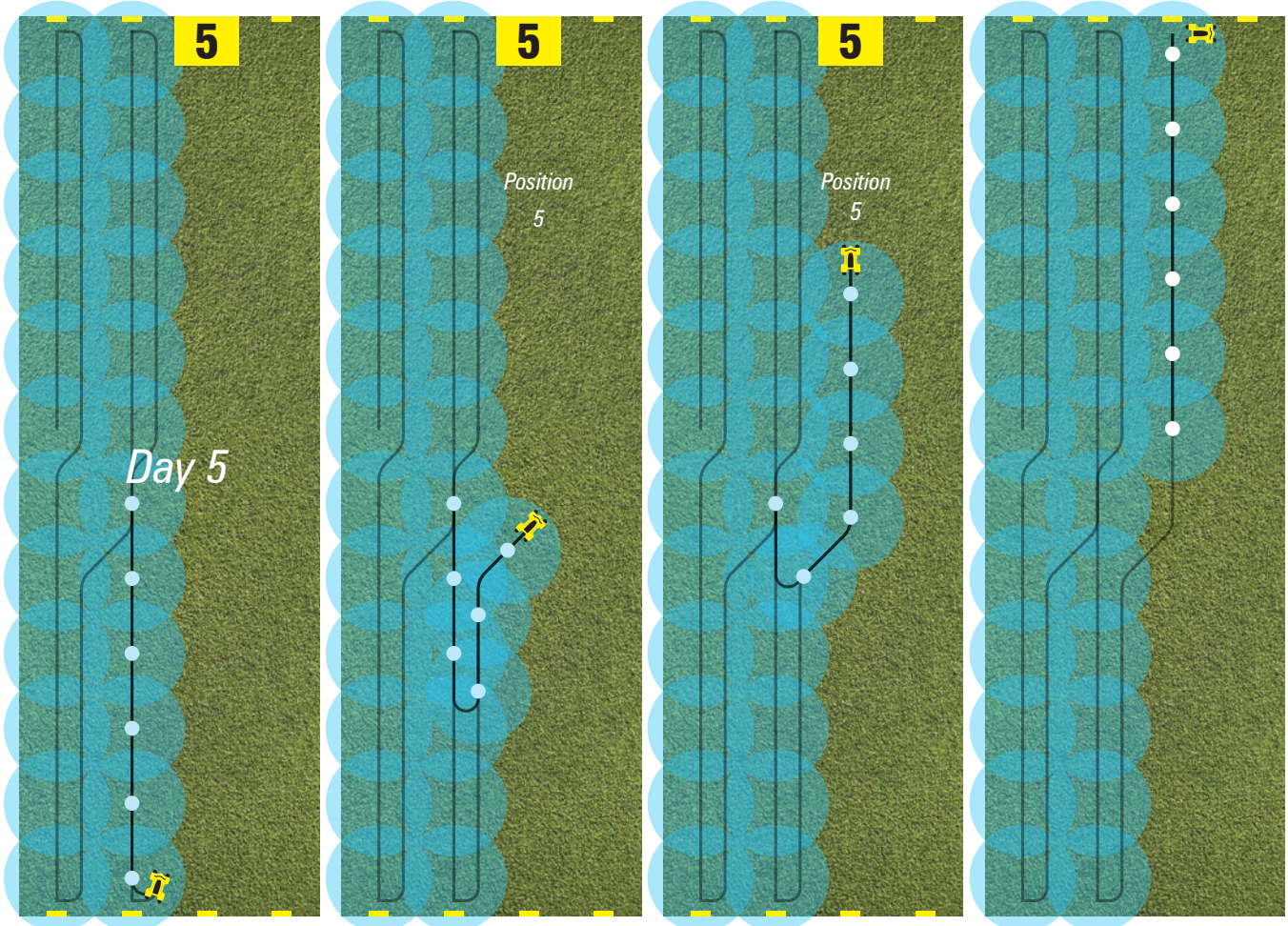
**The aim when moving a sprayline to its next position in the rotation is to minimise the incidents of roll-over. Even though the sprinkler is protected from roll-over it can still be damaged. Also roll-over can cause twisting of the Pod pipe.**

1. Approach the end of the sprayline at an angle that will allow you to move back down the sprayline at a distance of around 1-2 metres parallel to that sprayline.

Too close and the Pods will try to roll – Too far and the Pods will try to roll. (This will become apparent to the person moving the lines).

2. When placing spraylines in even day positions (i.e. 2nd shift – 4th shift etc) when reaching the end of the sprayline move across into correct position and proceed to the end of that system area.

## Example of Moving an Irripod System Steps 3 and 4



3. When placing spraylines in odd day positions (i.e. 3rd shift – 5th shift etc) when reaching a point approximately 2/3rds of the length of that sprayline move out to next system spacing and proceed to the end of that system area.

Again this procedure will become apparent to the person shifting the spraylines, if they are not moving in or out at the correct point they will find the last 1 or 2 Pods will be out of line.

4. At the end of the system area rotation (return period) detach the sprayline from the dragline and tow the sprayline back into position 1. Detach the dragline from the hydrant and tow the length of the system area and then back into position and reattach to both hydrant and sprayline.

This will allow any twisting of the dragline that has occurred during rotation to be removed from pipe.

## Irripod Pop Up Sprinkler Pods

Irripod 40mm Pop-Up Pod is a flexible, cost effective pipeline sprinkler irrigation system for pasture and forage crops, designed to operate at low pressure and distribute water on a slow absorption rate over a 12-24-hour period. This allows for effective absorption into the soil whilst eliminating pooling and run off. The system utilises protective Pod Skid covers over sprinklers that are attached to an irrigation pipeline. Irripod Pop-Up Pod can be configured to suit individual requirements dependant on application rates, the distance to be irrigated and the rotation intervals appropriate for the situation. Each Irripod irrigation line can be customised to suit varying paddock sizes and shapes while also accommodating existing obstructions.

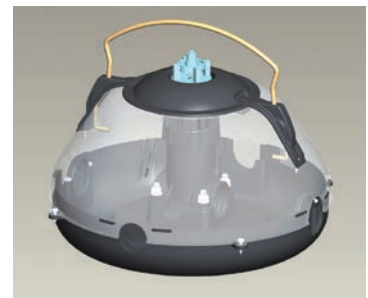
Irripod In-Line Pop-Up Pod incorporates a Pop-Up protected sprinkler. The cover protecting the sprinkler also protects young and inquisitive stock from leg damage by allowing no access into the Pod body. The Irripod In-Line Pop-Up Pod is designed for use with Nelson R2000WF sprinkler series with the ability to incorporate the Nelson Mini Regulator.

## Operating Guidelines

- Moving Times – 12 or 24 hours, dependent upon system design.
- Return Times – Range from 8 to 14 days and are determined by soil structure, pasture/crop type, water availability and local climate conditions.



Pop Up Sprinkler down i.e. Not in use.



Pop Up Sprinkler up i.e. In use.



Pop Up Sprinklers in use while horses are in the paddock.

## irripod TECHNICAL INFORMATION

### Installing Iriropod Pop Up Pods

**Note: Pipe needs to be laid out at least 24 hours before installation of pods.**

**Step 1** Begin your installation at the far end of the pod line where the Tow Eye will be fitted (do not fit Tow Eye until line is flushed).

**Step 2** Mark a position that is 1m from the end of the line. This is where you will install the first Pod Skid.

**Step 3**



Lay pipe over Skid Base and secure in position with Cross Tee Anchor.



Drill 15mm (9/16") hole at required spacing for the sprinkler type being used and remove all drilling swarf. Ensure the hole is drilled perpendicular to the Pod Base.



Screw either Nelson Mini Reg or Iriropod ACME Male/Female High Riser onto ACME thread in base of Pop-up Piston and then place into Pop-up Tapping Saddle Top.



Place Pop-up Screw Cap Seal on top of Pop-up Tapping Saddle Top and secure Pop-up Screw Cap into place.



Tip the Pop-up TST until Mini Reg or Riser protrude, hold with finger and screw on Nelson R2000WF. Note all threads should be hand tight, do not use a tool for tightening.



Fit O-ring seal to Pop-up Tapping Saddle Top, locate spigot into hole in pipe and fasten to Cross Tee Anchor, ensure fastening nuts are tightened evenly.



Locate body on skid base and push firmly down to engage grip lugs.



Secure top cover by screws around the base.



Fix wire clip into opposing holes on body sides. Ensure the wire runs parallel with the pipe as shown in the image.



Screw wire clip holders into the holes provided.



Locate Pop-up Pod Cover on top of Iriropod Top Cover and ensuring the cutouts in the Pop-up Cover locate inline with the Pipe direction, fasten with screws.



Flush the irrigation line prior to fitting the pipeline Tow Eye to remove any drilling debris left in the pipe.

**Step 4** Having completed the assembly of the first Pod Skid, measure along the pipe the sprinkler design spacing from the last Pod Skid. This is where you will place the next Pod Skid. You now need to assemble the Pod (repeat Step 3). When you have completed the assemblies of the Pod simply follow Step 4, and Step 3 until you have completed all Pod Skids required on the particular pod line.

**Step 5** You should now have all the Pod Skids fitted to the Sprinkler line. It is best practice to camlock join the Pod line to the Feedline.

We recommend following pipe manufacturers guidelines.

**Note: Feedlines not to be less than distances from the Hydrant to boundary of spray line area.**

## Installing Inline Irrigation Pod Skids

**Note: Pipe needs to be laid out at least 24 hours before installation of pods.**

### Step 1

Begin your installation at the far end of the pod line where the Tow Eye will be fitted (do not fit Tow Eye until line is flushed).

### Step 2

Mark a position that is 1m from the end of the line. This is where you will install the first Pod Skid.

### Step 3



Lay pipe over Skid Base and secure in position with Cross Tee Anchor.



Drill 15mm (9/16") hole at required spacing for the sprinkler type being used and remove all drilling swarf. Ensure the hole is drilled perpendicular to the Pod Base.



Select the Riser to suit your sprinkler size. Ensure fastening nuts are tightened evenly. Fit O-ring seal to sprinkler riser, locate riser spigot into hole in pipe and fasten the cross tee anchor.



Screw sprinkler into sprinkler riser.



Locate body on skid base and push firmly down to engage grip lugs.



Secure top body by screws around the base.



Fix wire clip into opposing holes on body sides. Ensure the wire runs parallel with the pipe as shown in the image.



Screw wire clip holders into the holes provided.



Flush the irrigation line prior to fitting the pipeline Tow Eye to remove any drilling debris left in the pipe.

### Step 4

Having completed the assembly of the first Pod Skid, measure along the pipe the sprinkler design spacing from the last Pod Skid. This is where you will place the next Pod Skid. You now need to assemble the Pod (repeat Step 3). When you have completed the assemblies of the Pod simply follow Step 4, and Step 3 until you have completed all Pod Skids required on the particular pod line.

### Step 5

You should now have all the Pod Skids fitted to the Sprinkler line. It is best practice to camlock join the Pod line to the Feedline. **Note: Feedlines not to be less than distances from Hydrant to boundary of spray line area.**

We recommend following pipe manufacturers guidelines.

## irripod TECHNICAL INFORMATION

### Irripod In-line Multi Fit

Irripod In-line Multi Fit is a flexible, cost effective irrigation Pod Skid that can be used as a replacement Pod or on an extension to existing sprinkler irrigation systems. Designed to fit 32mm or 40mm LDPE pipe and to accommodate all LDPE fitting and sprinkler configurations. Irripod In-line Multi Fit offers a cost effective alternative for end users. Irripod Multi Fit is simple to install; just follow the step by step instructions.

### Installing Pod Skids (Based on 15M Pod Spacings)



Lay pipe over Skid Base and secure in position with Cross Tee Anchor.



Drill 15mm (9/16") hole at required spacing for the sprinkler type being used and remove all drilling swarf. Ensure the hole is drilled perpendicular to the Pod Base.



Select the Riser to suit your sprinkler size. Ensure fastening nuts are tightened evenly. Fit O-ring seal to sprinkler riser, locate riser spigot into hole in pipe and fasten the cross tee anchor.



Screw sprinkler into sprinkler riser.



Locate body on skid base and push firmly down to engage grip lugs.



Secure top body by screws around the base.



Fix wire clip into opposing holes on body sides. Ensure the wire runs parallel with the pipe as shown in the image.



Screw wire clip holders into the holes provided.



Flush the irrigation line prior to fitting the pipeline end cap to remove any drilling debris left in the pipe.

We recommend following pipe manufacturers guidelines.

### Pack Includes:

Irripod Code	Description	Qty	Irripod Code	Description	Qty
CTA32-40LDPE	Cross Tee Anchor 32-40 LDPE	1	IP-BASE-BK	Irripod Black Base	1
TST32LDLAC	32mm LD Low Riser ACME	1	IP-COVER-BL	Irripod Black Top Cover	1
TST40LDLAC	40mm LD Low Riser ACME	1	IP-WIRE	Irripod Wire Protector	1
ACME-MF-HA	Acme Male-Female High Adaptor	1	IP-WIRECLIP	Irripod Wire Retainer Clips	2
ACME-F-MA	Acme-BSP Female Medium Adaptor	1	IP-BOLTS	Irripod Bolt Bag	1
			IP-SCREWS	Irripod Screw Bag	1
			IP-SEAL	Irripod Tapping Saddle Seal	1

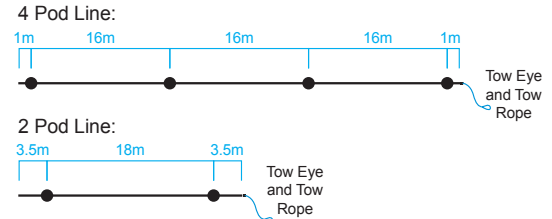
### Installing Irripod Lifestyle 32 Two & Four Pod Packs

Irripod Lifestyle 32 Pack is best suited for blocks of land with smaller paddock sizes up to 1 hectare.

**Note: Pipe needs to be laid out at least 24 hours before installation of pods.**

**Step 1** Begin your installation at the far end of the pod line where the Tow Eye will be fitted (do not fit Tow Eye until line is flushed).

**Step 2** For the 4 pod pack, measure along the pipe 1m and install the first pod at this point, then measure 16m and mount the second and from this pod 16m to mount the third and 16m to mount the last pod.



For the 2 pod pack, measure along the pipe 3.5m and install the first pod at this point, then measure 18m and install the second pod.

**Step 3**



Lay pipe over Skid Base and secure in position with Cross Tee Anchor.



Drill 15mm (9/16") hole at required spacing for the sprinkler type being used and remove all drilling swarf. Ensure the hole is drilled perpendicular to the Pod Base. Caution: Do not drill through both edges of the pipe.



Fit O-ring seal to the under side of Riser. Screw the 20mm Hansen Socket onto the Riser thread and locate riser spigot into hole in pipe. Tighten nuts evenly to fasten the cross tee anchor and tighten socket.



Screw sprinkler into Hansen Socket on riser.



Locate body on skid base and push firmly down to engage grip lugs.



Secure top body by screws around the base.



Fix wire clip into opposing holes on body sides. Ensure the wire runs parallel with the pipe as shown in the image.



Screw wire clip holders into the holes provided.



Flush the irrigation line prior to fitting the pipeline end cap to remove any drilling debris left in the pipe.

**Step 4** Having completed the assembly of the first Pod Skid, measure along the pipe the sprinkler design spacing from the last Pod Skid (see Step 2 for pod spacing). This is where you will place the next Pod Skid. You now need to assemble the Pod (repeat Step 3). When you have completed the assembly of the Pod simply follow Step 4, and Step 3 until you have completed all Pod Skids required on the particular pod line.

**Step 5** You should now have all the Pod Skids fitted to the Sprinkler line. It is best practice to camlock join the Pod line to the Feedline.

We recommend following pipe manufacturers guidelines.

#### Packs Include:

Irripod Code	Description	2 Pod Pk Qty	4 Pod Pk Qty	Irripod Code	Description	2 Pod Pk Qty	4 Pod Pk Qty	Irripod Code	Description	2 Pod Pk Qty	4 Pod Pk Qty
IP-BASE-BLK	Irripod Black Base	2	4	CTA32-40LD	Cross Tee Anchor 32-40 LDPE	2	4	NA5035SD4.0	Naan 5035 SD Sprinkler - 4.0mm Nozzle	2	4
IP-COVER-BL	Irripod Black Top Cover	2	4	IP-SEAL	Riser Seal	2	4	NA SD 3.5	Naan 3.5mm Nozzle	-	4
IP-WIRE	Irripod Wire Protector	2	4	HS20	Hansen 20mm Socket	2	4	15MM DRILL BIT	15mm Drill Bit or 9/16"	1	1
IP-WIRECLIP	Irripod Wire Retainer Clips	4	8	HFS32	Hansen 32mm Female Straight	1	1	SCREW BIT	Phillips/Pozi Drill Bit Long	1	1
IP-UBOLTS	Irripod U Bolt Bag	2	4	HTE32	32mm Tow Eye	1	1	13MM RING SPANNER	13mm Ring Spanner	1	1
IP-SCREWS	Irripod Screw Bag	2	4	TOWROPE	Pod Line Tow Rope	1	1	CEELON RED	Thread Seal Tape	1	1
TST32LDL20M	32mm LD Low Riser 20 BSP	2	4	IP3250	32mm x 50m LDPE Pipe	1	1				

## irripod TECHNICAL INFORMATION

### Irripod Single Pod

**Irripod Single Pod Sprinkler is your complete portable Irrigation solution. Features Include:**

- Irripod Single Pod Sprinkler is designed to operate off a standard 19mm garden hose or 20mm to 25mm Polyethylene Pipe.
- One Irripod Single Pod Sprinkler has a coverage area up to 500sqm and an intensity rate of 2.6mm per hour.
- The Single Pod Sprinkler is designed to operate at very low pressures (3 Bar).

Irripod Single Pod Sprinkler is a versatile, strong, portable Sprinkler Irrigation System. The Single Pod sprinkler is ideally suited to fit in small paddocks or irregular shaped areas where it is difficult to fit traditional irrigation systems. Irripod Single Pod sprinklers are manufactured from commercial grade materials to ensure long life durability and value.

**Installing Single Pod Sprinklers** Prior to commissioning the irrigation line it is recommended that the Single Pod be disconnected and the line flushed to remove any debris.



Thread tape the end of the handle.



Screw on the Hansen Female Straight Coupler or the fitting to match your chosen hose/pipe to the end of the handle.



Attach the handle to the Pod Skid with the 2 u-bolts and screws.



Insert the Hansen Hex Nipple into the Pod Skid Base. Then screw on the Hansen 20mm Female Socket.



Screw the 20mm sprinkler into the socket.



Connect hose/pipe to attached fitting.



Locate the Pod cover onto Pod Skid base and push firmly down to engage grip lugs.



Secure top cover by screws around the base.



Fix wire clip into opposing holes on body sides. Ensure the wire runs parallel with the pipe as shown in the image. Screw wire clip holders into the holes provided.

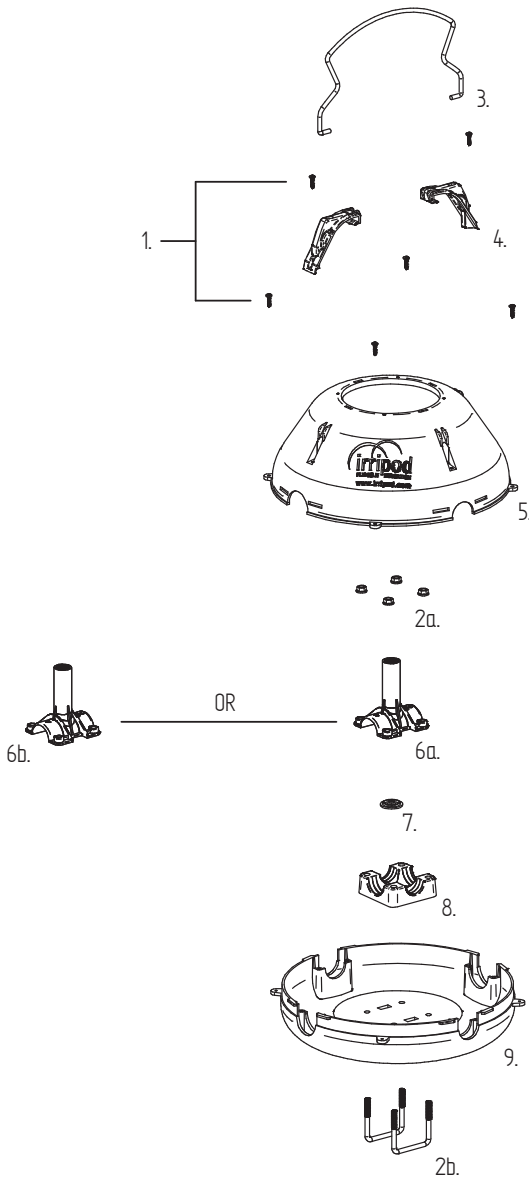
We recommend following pipe manufacturers guidelines.

### Pack Includes:

Irripod Code	Description	Qty	Irripod Code	Description	Qty
IP-BASE-BK	Irripod Black Base	1	HANDLE25	Handle 20mm Female x 25mm Male	1
IP-COVER-BL	Irripod Black Top Cover	1	HFS25	Hansen 25mm Female Straight	1
IP-WIRE	Irripod Wire Protector	1	HS20	Hansen 20mm Socket	1
IP-WIRECLIP	Irripod Wire Retainer Clips	2	SHN20	Hansen 20mm Hex Nipple	1
IP-UBOLTS	Irripod U Bolt Bag	1	N5035	Nann 5035 Sprinkler	1
IP-SCREWS	Irripod Screw Bag	1			



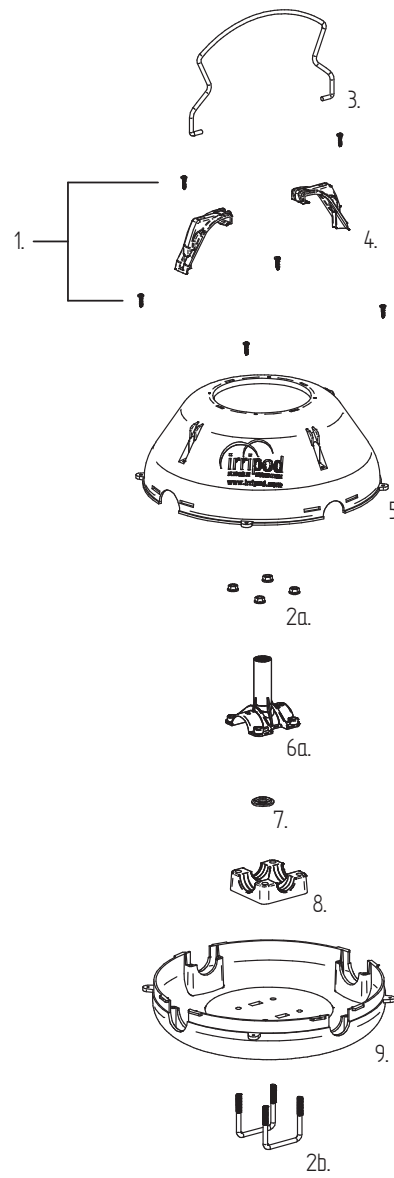
### Exploded View of Pod Assembly 32mm or 40mm Pipe, 15mm Sprinkler



No.	Product Code	Item Name	Qty
	Screw Bag Contains		
1	IP-SCREWS	Medium Self Tapper (10 x 3/4) or (10 x 5/8)	6
	Bolt Bag Contains		
2a	IP-UBOLTS	M8 Flanged Nuts	4
2b	IP-UBOLTS	M8 U-Bolts	2
3	IP-WIRE	Irripod Wire Protector	1
4	IP-WIRECLIP	Irripod Wire Retainer Clips	2
5	IP-COVER-WH	Irripod White Top Cover	1
6a	TST32LDH15F	32mm LD High Riser	1
6b	TST40LDH15F	40mm LD High Riser	1
7	IP-SEAL	Seal	1
8	CTA32-40LD	Irripod Cross Tee Anchor 32-40 LDPE	1
9	IP-BASE-BLK	Irripod Black Base	1

Items 1, 2a-2b, 3, 4, 7 and 8 are included in TSK32-40LDU.

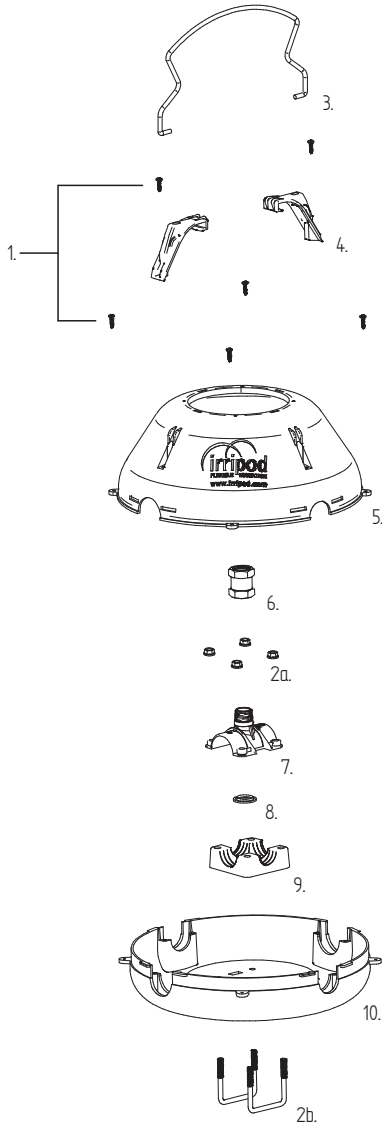
### Exploded View of Pod Assembly 45mm, fits 15mm Sprinkler Pod



No.	Product Code	Item Name	Qty
	Screw Bag Contains		
1	IP-SCREWS	Medium Self Tapper (10 x 3/4) or (10 x 5/8)	6
	Bolt Bag Contains		
2a	IP-UBOLTS	M8 Flanged Nuts	4
2b	IP-UBOLTS	M8 U-Bolts	2
3	IP-WIRE	Irripod Wire Protector	1
4	IP-WIRECLIP	Irripod Wire Retainer Clips	2
5	IP-COVER-WH	Irripod White Top Cover	1
6	TST45LDH15F	45mm LD High Riser	1
7	IP-SEAL	Seal	1
8	CTA40-45LD	Irripod Cross Tee Anchor 40-45 LDPE	1
9	IP-BASE-BLK	Irripod Black Base	1

Items 1, 2a-2b, 3, 4, 7 and 8 are included in TSK40-45LDU.

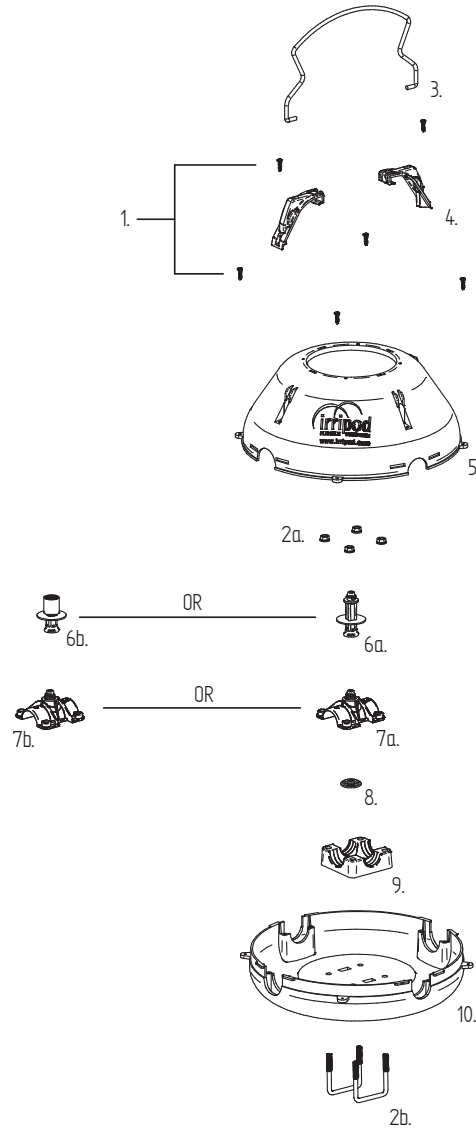
### Exploded View of Pod Assembly 45mm Pipe, 20mm Sprinkler



No.	Product Code	Item Name	Qty
Screw Bag Contains			
1	IP-SCREWS	Medium Self Tapper (10 x 3/4) or (10 x 5/8)	6
Bolt Bag Contains			
2a	IP-UBOLTS	M8 Flanged Nuts	4
2b	IP-UBOLTS	M8 U-Bolts	2
3	IP-WIRE	Irripod Wire Protector	1
4	IP-WIRECLIP	Irripod Wire Retainer Clips	2
5	IP-COVER-WH	Irripod White Top Cover	1
6	SS20	20mm Hansen Socket	1
7	TST45LDL20M	45mm LD Low Riser	1
8	IP-SEAL	Seal	1
9	CTA40-45LD	Irripod Cross Tee Anchor 40-45 LDPE	1
10	IP-BASE-BLK	Irripod Black Base	1

Items 1, 2a-2b, 3, 4, 8 and 9 are included in TSK40-45LDU.

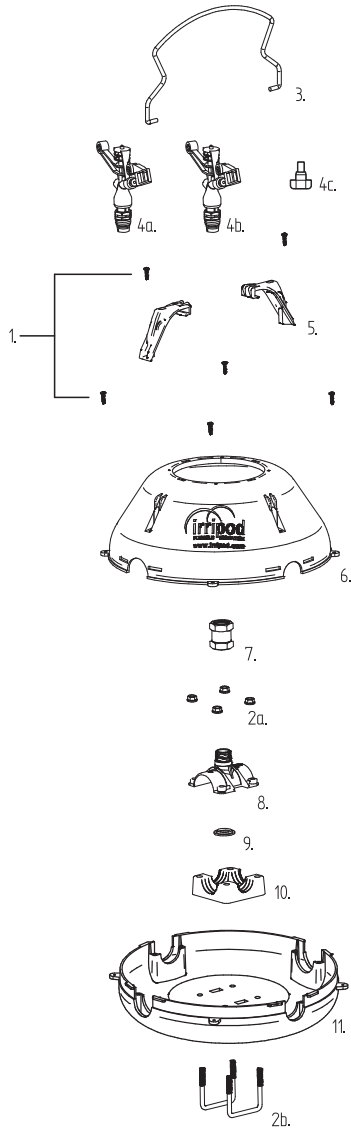
### Exploded View of Irripod Multi Fit Pod



No.	Product Code	Item Name	Qty
Screw Bag Contains			
1	IP-SCREWS	Medium Self Tapper (10 x 3/4) or (10 x 5/8)	6
Bolt Bag Contains			
2a	IP-BOLTS	M8 Flanged Nuts	4
2b	IP-BOLTS	M8 U-Bolts	2
3	IP-WIRE	Irripod Wire Protector	1
4	IP-WIRECLIP	Irripod Wire Retainer Clips	2
5	IP-COVER-BL	Irripod Black Top Cover	1
6a	ACME-MF-HA	ACME Male-Female High Adaptor	1
6b	ACME-F-MA	ACME-BSP Female Medium Adaptor	1
7a	TST32LDLAC	32mm LD Low Riser ACME	1
7b	TST40LDLAC	40mm LD Low Riser ACME	1
8	IP-SEAL	Seal	1
10	CTA32-40LD	Irripod Cross Tee Anchor 32-40 LDPE	1
11	IP-BASE-BLK	Irripod Black Base	1

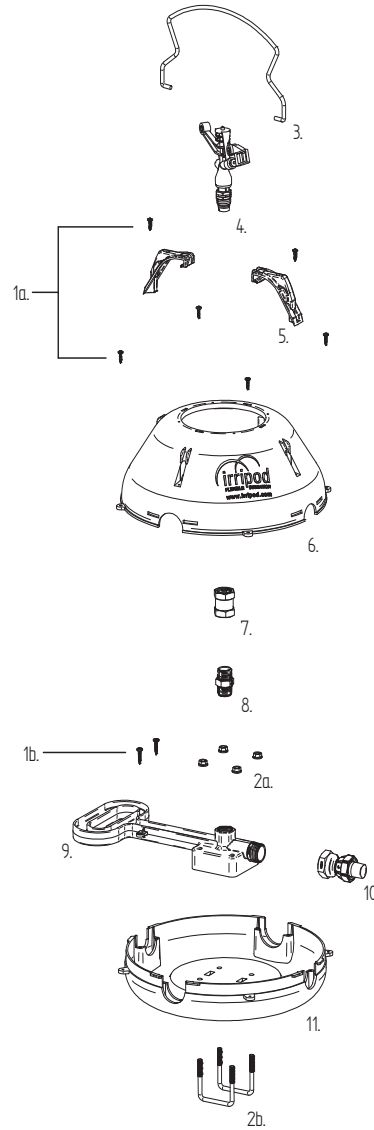
Items 1, 2a-2b, 3, 4, 8 and 9 are included in TSK32-40LDU.

### Exploded View of Irripod Lifestyle 32 Two & Four Pod Kits



No.	Product Code	Item Name	2 Pod Pk Qty	4 Pod Pk Qty
Screw Bag Contains				
1	IP-SCREWS	Medium Self Tapper (10 x 3/4) or (10 x 5/8)	12	24
Bolt Bag Contains				
2a	IP-UBOLTS	M8 Flanged Nuts	16	32
2b	IP-UBOLTS	M8 U-Bolts	8	16
3	IP-WIRE	Irripod Wire Protector	2	4
4a	NA5035SD4.0	Naan 5035 SD Sprinkle with 4.0mm nozzle	2	-
4b	NA5035SD3.5	Naan 5035 SD Sprinkle with 3.5mm nozzle	-	4
4c	NA SD 4.0	Naan 4.0mm nozzle	-	4
5	IP-WIRECLIP	Irripod Wire Retainer Clips	4	8
6	IP-COVER-BL	Irripod BlackTop Cover	2	4
7	SS20	20mm Hansen Socket	2	4
8	TST32LDL20M	32mm LD Low Riser	2	4
9	IP-SEAL	Seal	2	4
10	CTA32-40LD	Irripod Cross Tee Anchor 32-40 LDPE	2	4
11	IP-BASE-BLK	Irripod Black Base	2	4

### Exploded View of Irripod Single Pod



No.	Product Code	Item Name	Qty
Screw Bag Contains			
1a	IP-SCREWS	Medium Self Tapper (10 x 3/4) or (10 x 5/8)	6
1b	IP-SCREWS	Large Self Tapper (12 x 1)	2
Bolt Bag Contains			
2a	IP-UBOLTS	M8 Flanged Nuts	4
2b	M8U-BOLTS	M8 U-Bolts	2
3	IP-WIRE	Irripod Wire Protector	1
4	A329	Naan 5035 SD Sprinkler (Packed Separately)	1
5	IP-WIRECLIP	Irripod Wire Retainer Clips	2
6	IP-COVER-BL	Irripod Black Top Cover	1
7	SS20	20mm Hansen Socket	1
8	SHN20	20mm Hansen Nipple	1
9	HANDLE25	Handle 20mm Female x 25mm Male	1
10	HFS25	25mm Hansen Female Straight Coupling	1
11	IP-BASE-BLK	Irripod Black Base	1

Items 1a-1b, 2a-2b, 3, 4, 6 and 8 are included in SINGLEKITU.

**HANSEN**<sup>™</sup>

*Best Installed Value*

Email: [info@hansenproducts.com.au](mailto:info@hansenproducts.com.au)  
Website: [www.hansenproducts.com.au](http://www.hansenproducts.com.au)



**EFFLUENT TECHNICAL INFORMATION**

IRRIPOD



# Effluent Distribution System

**For all Technical Irripod Irrigation  
queries please either phone or email  
our Irripod Market Manager**

**Nigel Henigan  
Mobile: + 64 21 963 432  
Email: [nigel.henigan@irripod.com](mailto:nigel.henigan@irripod.com)**

## What is an Irripod Effluent System

- Irripod Effluent Systems are flexible cost effective Pod Pipeline Systems for Effluent Distribution.
- Designed to operate at low pressure. The Irripod Effluent System distributes liquid effluent on a slow absorption rate over a 12-24 hour period. This allows for effective absorption into the soil whilst eliminating pooling and run off.
- The Irripod Effluent System is a component system that is simple to install and manage.
- The Irripod Effluent System utilises Protective Pod Skid covers over sprinklers that are attached to a 45mm Effluent Pipeline.
- The Irripod Effluent System can be configured to suit individual requirements depending on the application rates, the distance to be irrigated and the rotation intervals appropriate for the situation.
- Each Irripod Effluent System can be customized to suit varying paddock sizes and shapes while also accommodating existing obstructions.
- Irripod Effluent Systems are strong, lightweight and flexible.
- Easily moved by attaching the Hydrant or Pod lines to an ATV or farm vehicle.
- The Irripod Effluent System is designed to Distribute Liquid Effluent. (solid materials separated via a Dual Pond System or Solid Separator - Not Included).

NOTE: The Irripod Effluent System has been designed to distribute liquid effluent only, it is important to remove solid materials.



## Advantages of an Irripod Effluent System

- Low cost of ownership and maintenance.
- Low application rate, translates into slow absorption into soil whilst eliminating pooling and run off.
- Low labour, the system only requires one person to shift the lines, and does not require specialist training or tools.
- Low pressure system, (2-4Bar) translates into lower running cost.
- Low sprinkler height means less wind drift and effective Effluent distribution.
- Smaller droplet size means less soil compaction.
- Suitable for flat and rolling ground.
- Each Effluent Pod Line can be controlled independently off the system and can be tailored to suit paddock layouts.
- High Flow 20mm Impact Sprinklers, eliminates Nozzle blockages.
- High Volume 45mm Lilac Tri striped Irripod Effluent Mainlines.
- System Specific Hansen™ 45mm Lilac Polythene Pipe Fittings.
- Quick Release Portable Hydrant Kit.
- The Lilac Pods are highly visible minimising the chance of running over with farm machinery.
- Wire Protector across the Pod provides protection to the Sprinkler, thus eliminating damage.
- Irripod Effluent Systems distribute liquid effluent on a slow absorption rate.
- Irripod Effluent Systems incorporates 45mm (1 3/4") design technology.
- Internationally recognised Lilac colouring depicting effluent dispersal.

### ***Irripod 45mm Effluent Pods in use.***

The Irripod Systems in this catalogue are protected by intellectual property rights owned by the Hansen group of companies in New Zealand. For more information refer to the legal information section.

## System Layout

The Iriropod Effluent System has been designed to be moved easily by one person, you will require an ATV or farm vehicle to drag the Sub Main Line and Pod Sprinkler Lines (See overleaf for steps).

Your Iriropod Effluent System has been provided with the Hansen™ 45mm Male Camlock Fittings for both ends of the 50 metre Sub Main Set and the 120 metre Pod Sprinkler Lines. This allows you to attach the Sub Main Set to the Adaptor Set via a 63mm Drag Hose, or the Pod Sprinkler Lines to the Pod Hydrants from either end.

## System Specifications

### Sub Main

Sub Main consists of 50 metres of High Volume 45mm Lilac Tri Striped Iriropod Effluent Pipe, this pipe is rated at PN5 (71 psi). The Pod Hydrants are attached to the Sub Main Pipe at 20 metre spacing's.

### Pod Sprinkler Lines

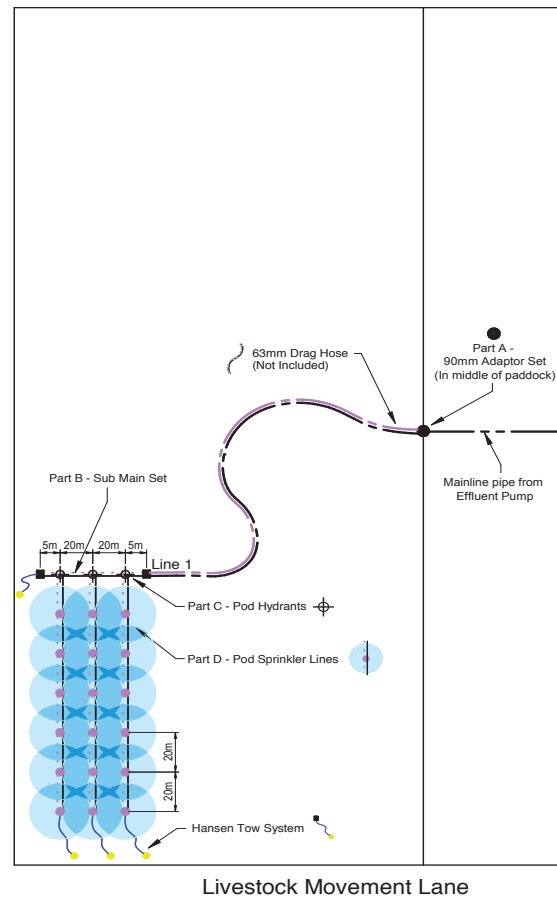
Pod Sprinkler Lines consist of 120 metres of High Volume 45mm Lilac Tri Striped Iriropod Effluent Pipe, this pipe is marked at 1 metre intervals. The pipe is marked at 1 metre intervals. The Iriropod Effluent Pods are attached to the Pod Lines at 20 metre spacing's. Each Pod Line is spaced at 20 metres by 20 metres and has a coverage of 2400 sqm (0.24h).

### Sprinklers

Naan 5035 SD, Plastic Male Full Circle Impact Sprinkler.

### Nozzles

Application rates vary with nozzle selection. Note: Iriropod Effluent Kit contains Naan 5035SD with 4mm Nozzles.



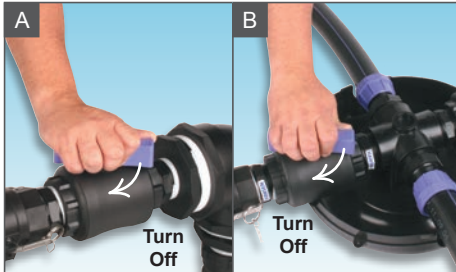
Nozzle Size mm	Nozzle Colour Code	Flow Rate* l/min	Area (20x 20m) m <sup>2</sup>	Intensity mm/hr	Intensity mm/24hr	Diameter m
3.5mm	Blue	12	400	1.80	43.20	26.50
4.0mm	Black	15.8	400	2.37	56.88	27.00
4.5mm	Brown	20.1	400	3.02	72.48	28.00
5.0mm	Purple	24.3	400	3.65	87.60	30.00

### Operating Pressure

Minimum operating pressure required at each Pod is 2.5 Bar.

### Moving Effluent Pod Sprinkler Lines

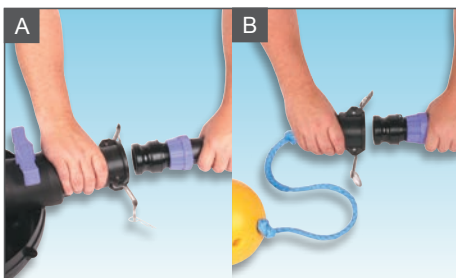
#### Step 1



**A.** Turn the Isolating Valve off, this is located on the 90mm Adaptor Set (Part A).

**B.** Turn all the Pod Sprinkler Valves off at the Pod Hydrants (Part B).

#### Step 3



**A.** Disconnect the Male Camlock at the Pod Hydrant end (Part C).

**B.** Connect the Hansen™ Tow System to the Male Camlock.

#### Step 5



Connect the Pod Sprinkler Line to the Pod Hydrant and turn the Pod Sprinkler Line to the on position.

Repeat steps 2 to 5 until all the Pod Sprinkler Lines have been relocated.

Turn the Isolating Valve on and begin irrigating.

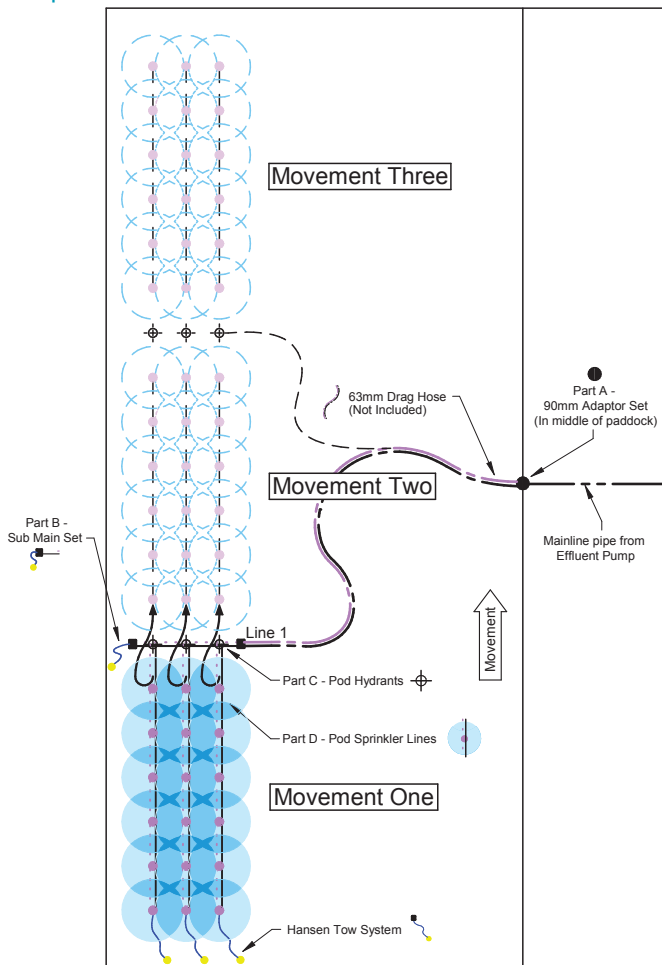
When the desired level of effluent has been applied to the paddock turn the Isolating Valve off; this is located on the 90mm Adaptor Set (Part A).

#### Step 2



Remove the Hansen™ Tow System from the Male Camlock at the opposite end of the Pod Sprinkler Line (Part D).

#### Step 4



Livestock Movement Lane

Attach the Pod Sprinkler line to an ATV and Proceed to drag the line across the sub main pipe in the opposite direction of the previous location of the line.

**NOTE:** Your Irripod Effluent system has been designed to be turned off when moving the Pod Sprinkler Lines.

## irriPOD FLEXIBLE IRRIGATION EFFLUENT TECHNICAL INFORMATION

IRRIPOD

### Relocating your Effluent System



**Step 1.** Turn the 90mm Adaptor Set Isolating Valve to off.



**Step 2.** Proceed to turn all the Pod Sprinkler Lines Valves off at the Pod Hydrants.



**Step 3a** Disconnect the Sub Main from the Drag Hose.

**Step 3b** Disconnect each of the Pod Sprinkler Lines from the Pod Hydrants.



**Step 4.** Connect the Sub Main to the ATV via the Hansen™ Tow System; proceed to drag the Sub Main to the new location.



**Step 5.** Connect the Pod Sprinkler Lines to the ATV via the Hansen™ Tow System; proceed to drag the Pod Sprinkler Lines to the new location.



**Step 6.** Disconnect the Drag Hose from 90mm Adaptor Set and drag to new paddock.

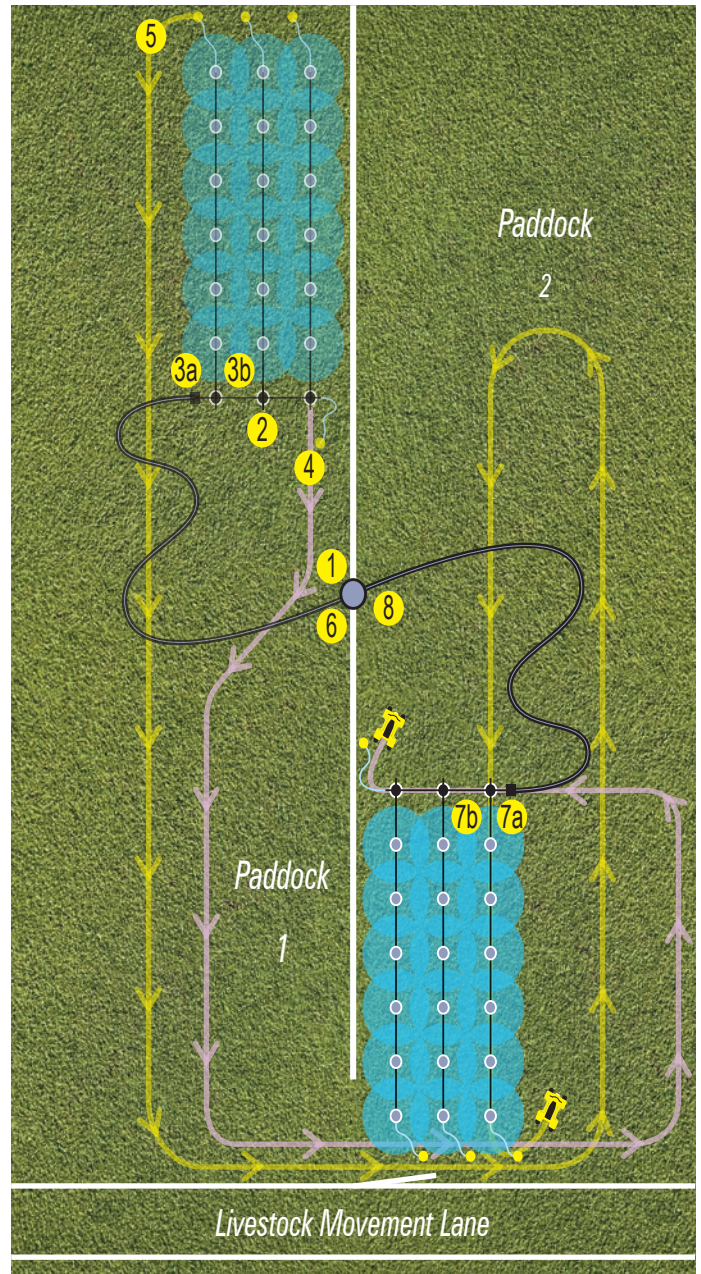


**Step 7a.** Re-connect Sub Main to the Drag Hose.

**Step 7b.** Re-connect Pod Sprinkler Lines to Pod Hydrants and turn on the three valves that are connected to the pod sprinkler lines.



**Step 8.** Re-connect the Drag Hose to the Adaptor Set and turn on the Isolating Valve to begin irrigating at the new location.

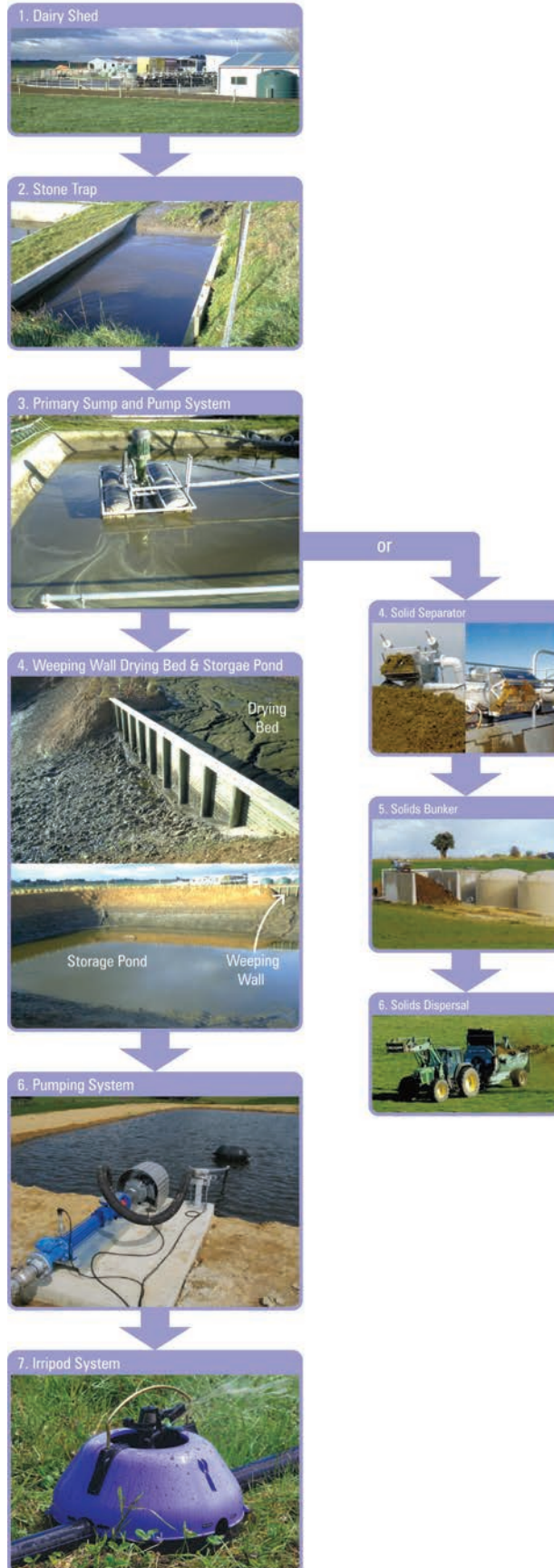




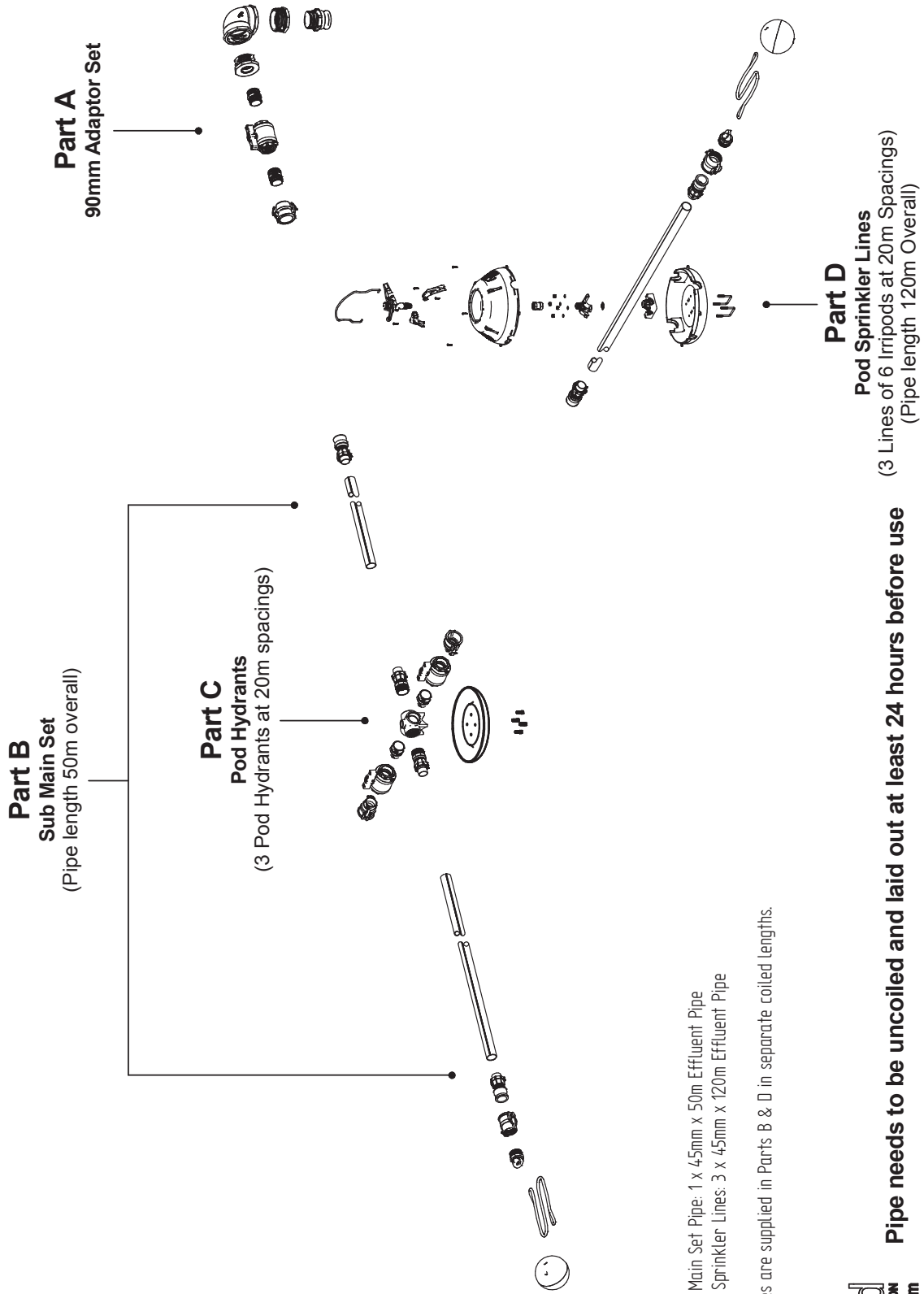
## EFFLUENT TECHNICAL INFORMATION



### Typical Dairy Effluent Layout



# Exploded View of Irripod Effluent System



Pipe Details:  
 Part B – Sub Main Pipe: 1 x 45mm x 50m Effluent Pipe  
 Part D – Pod Sprinkler Lines: 3 x 45mm x 120m Effluent Pipe

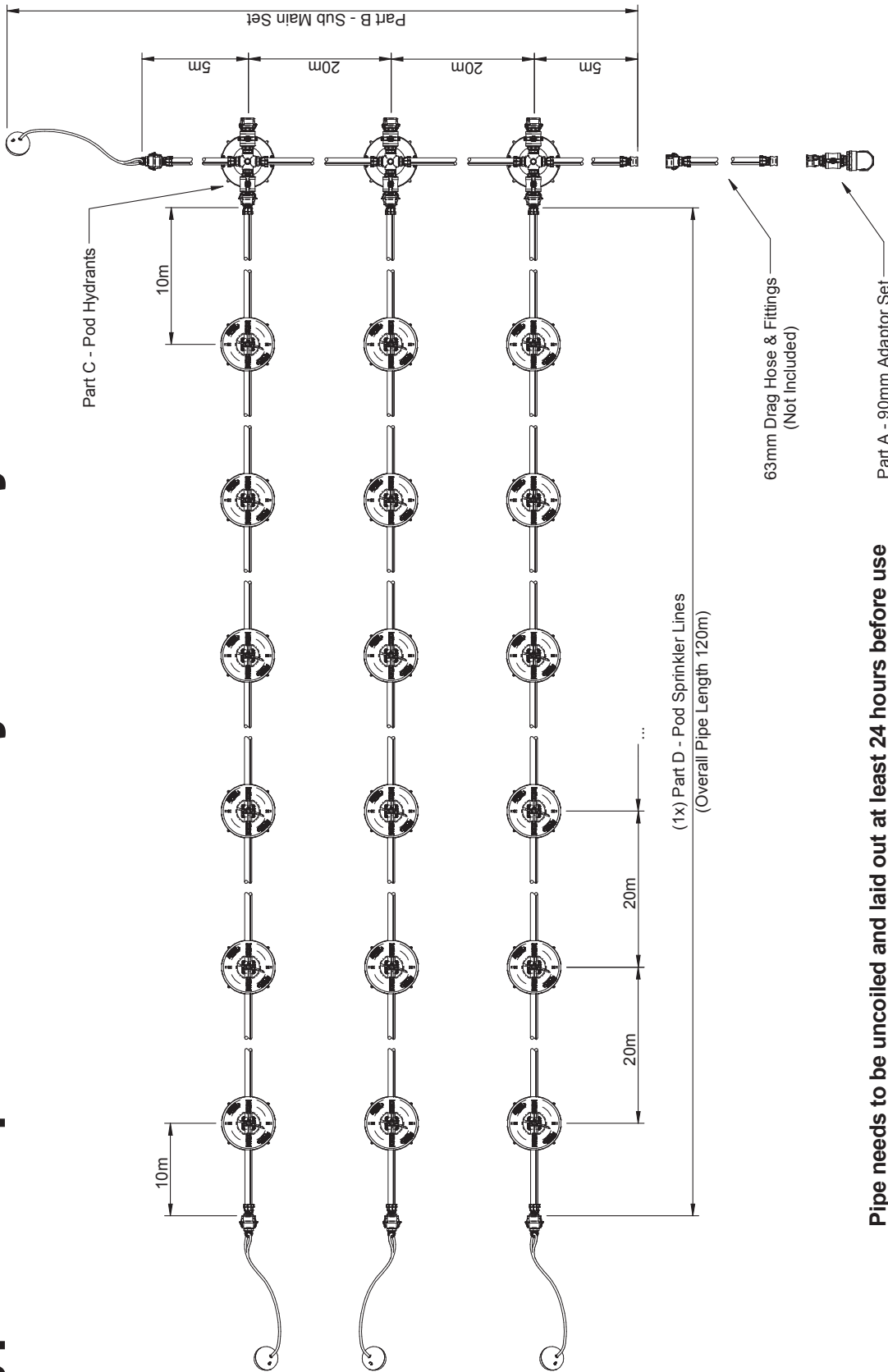
Note: All pipes are supplied in Parts B & D in separate coiled lengths.

**Pipe needs to be uncoiled and laid out at least 24 hours before use**

## EFFLUENT TECHNICAL INFORMATION

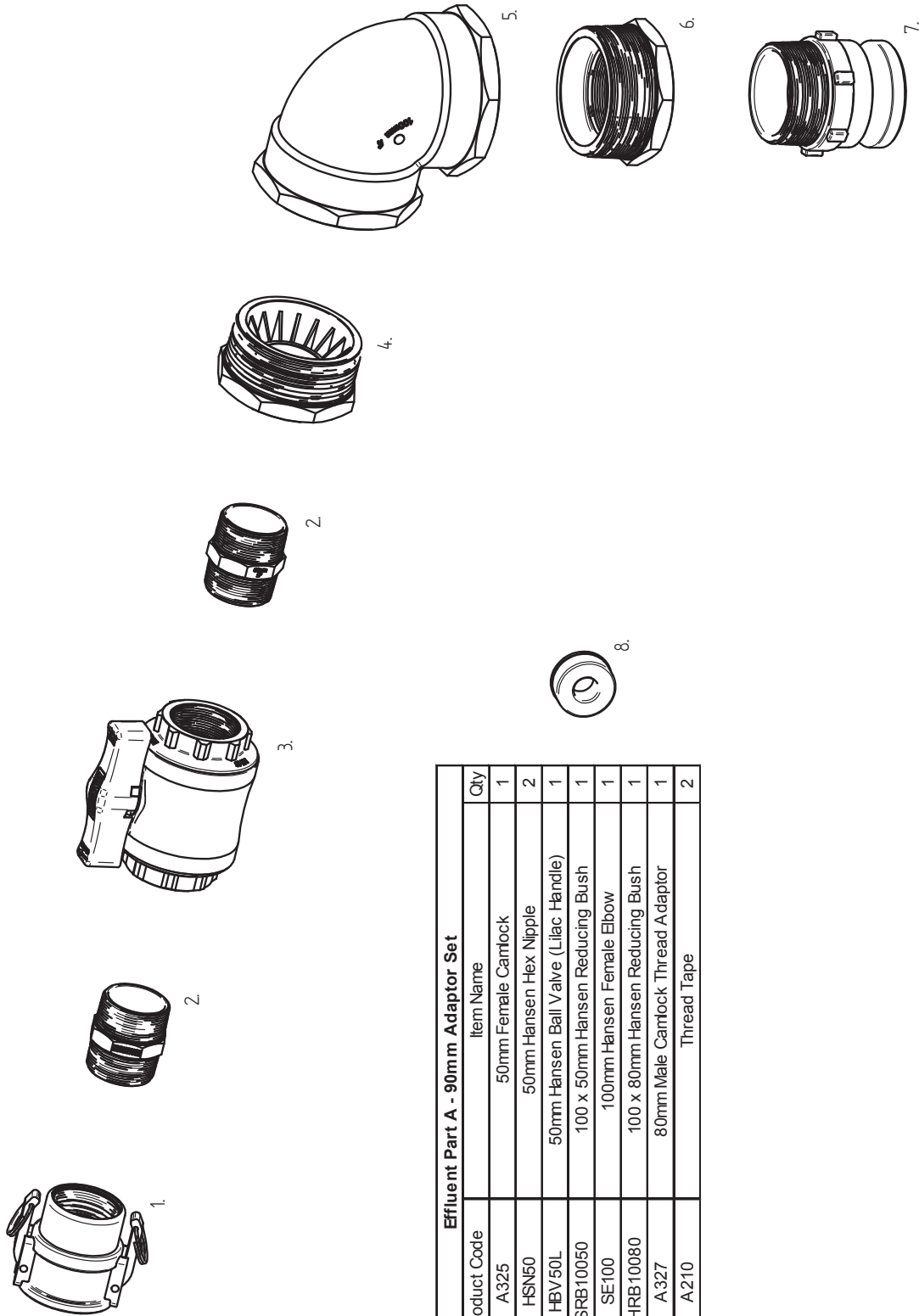


# Typical Iripod Effluent System Layout



Pipe needs to be uncoiled and laid out at least 24 hours before use

# Effluent Part A - 90mm Adaptor Set

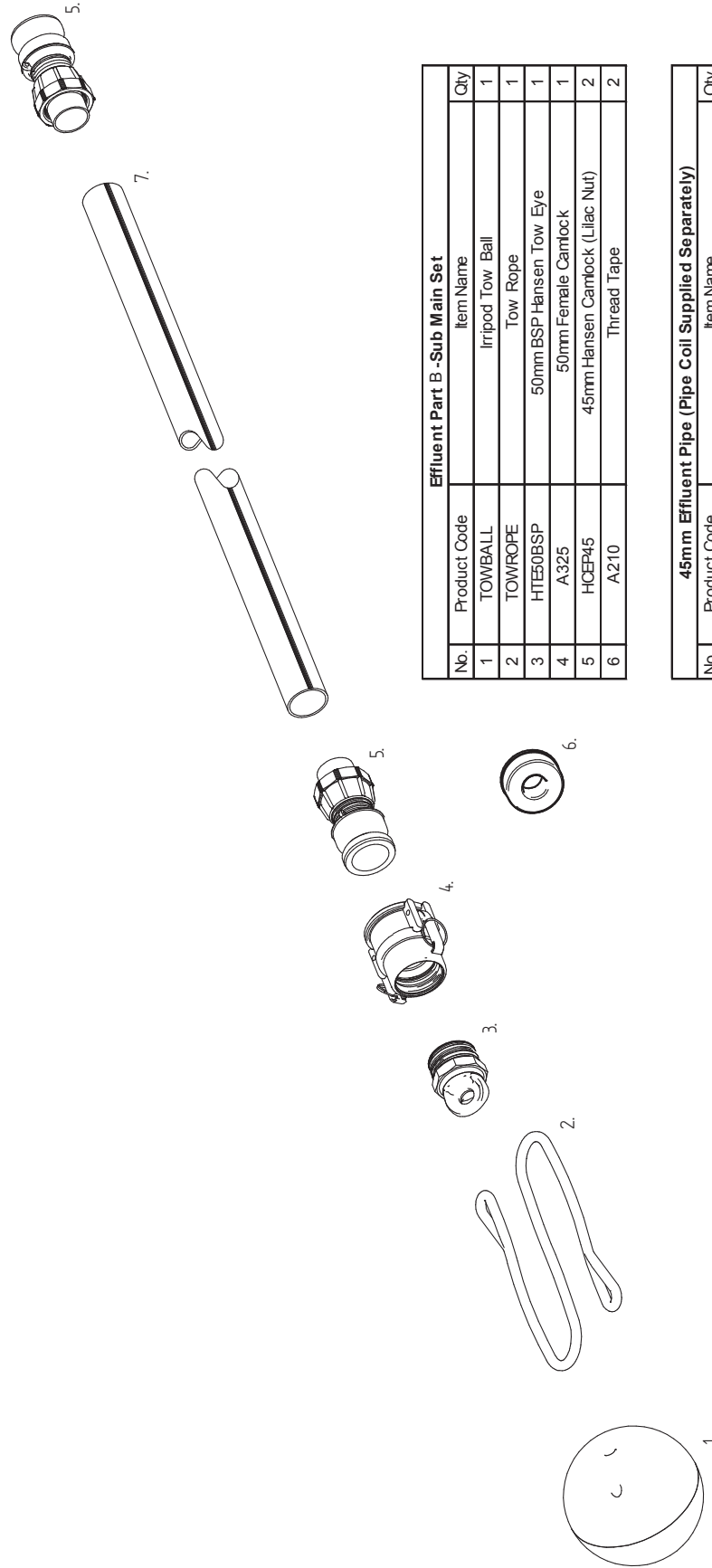


Effluent Part A - 90mm Adaptor Set			
No.	Product Code	Item Name	Qty
1	A325	50mm Female Camlock	1
2	HSN50	50mm Hansen Hex Nipple	2
3	HBV50L	50mm Hansen Bell Valve (Lilac Handle)	1
4	SRB10050	100 x 50mm Hansen Reducing Bush	1
5	SE100	100mm Hansen Female Elbow	1
6	HRB10080	100 x 80mm Hansen Reducing Bush	1
7	A327	80mm Male Camlock Thread Adaptor	1
8	A210	Thread Tape	2

EFFLUENT TECHNICAL INFORMATION



# Effluent Part B - Sub Main Set



Effluent Part B - Sub Main Set			
No.	Product Code	Item Name	Qty
1	TOWBALL	Irripod Tow Ball	1
2	TOWROPE	Tow Rope	1
3	HTE50BSP	50mm BSP-Hansen Tow Eye	1
4	A325	50mm Fenale Camlock	1
5	HCEP45	45mm Hansen Camlock (Lilac Nut)	2
6	A210	Thread Tape	2

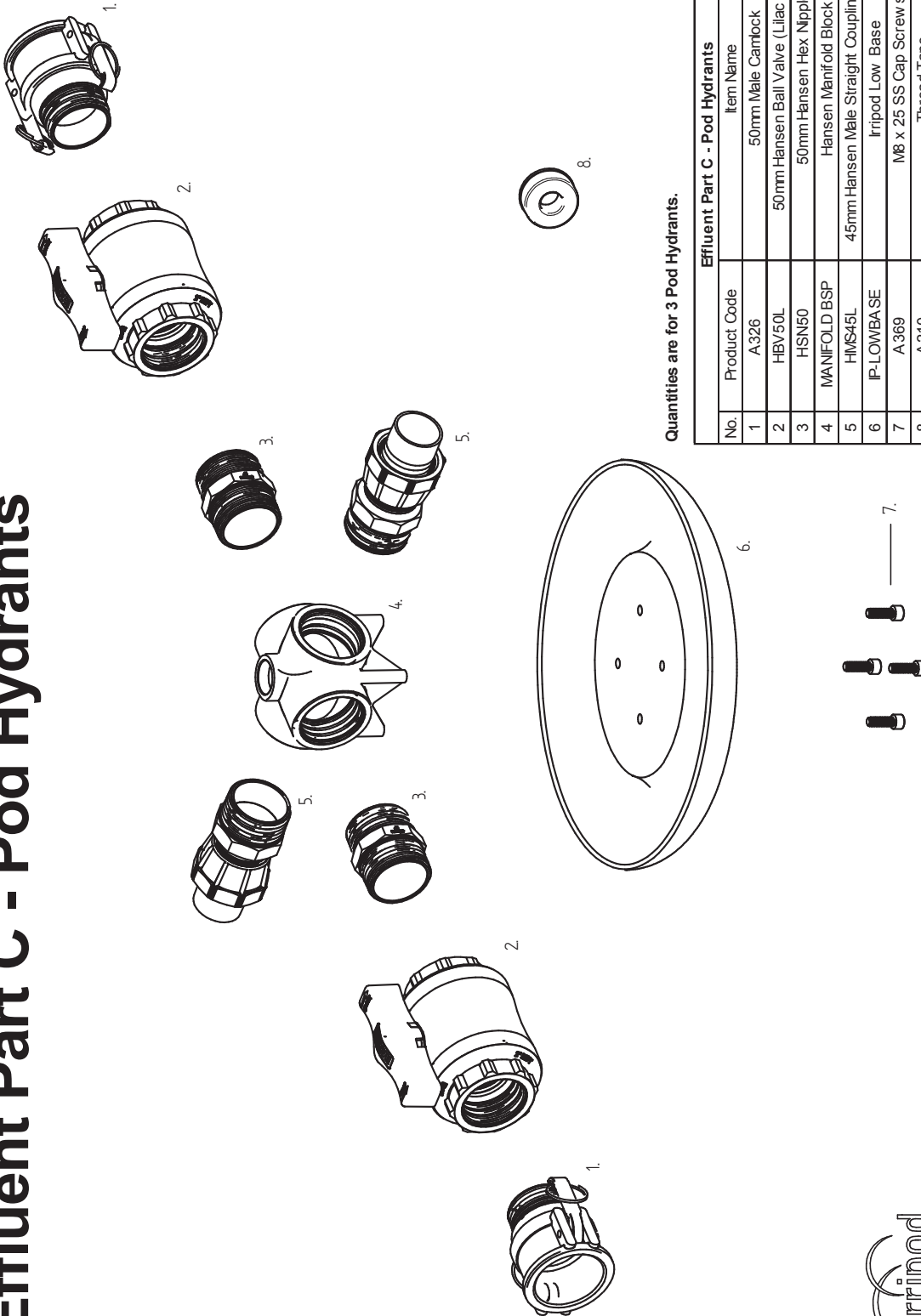
45mm Effluent Pipe (Pipe Coil Supplied Separately)			
No.	Product Code	Item Name	Qty
7	2230.45PN5.120	Effluent Pipe 45mm x 50m	1

Pipe needs to be uncoiled and laid out at least 24 hours before use



## irripod FLEXIBLE IRRIGATION EFFLUENT TECHNICAL INFORMATION

# Effluent Part C - Pod Hydrants



Quantities are for 3 Pod Hydrants.

Effluent Part C - Pod Hydrants			
No.	Product Code	Item Name	Qty
1	A.326	50mm Male Camlock	6
2	HBV50L	50mm Hansen Ball Valve (Lilac Handle)	6
3	HSN50	50mm Hansen Hex Nipple	6
4	MANIFOLD BSP	Hansen Manifold Block	3
5	HMS45L	45mm Hansen Male Straight Coupling (Lilac Nut)	6
6	IP-LOWBASE	Irripod Low Base	3
7	A.369	M8 x 25 SS Cap Screws	12
8	A.210	Thread Tape	3



**EFFLUENT TECHNICAL INFORMATION**



IRRIPOD

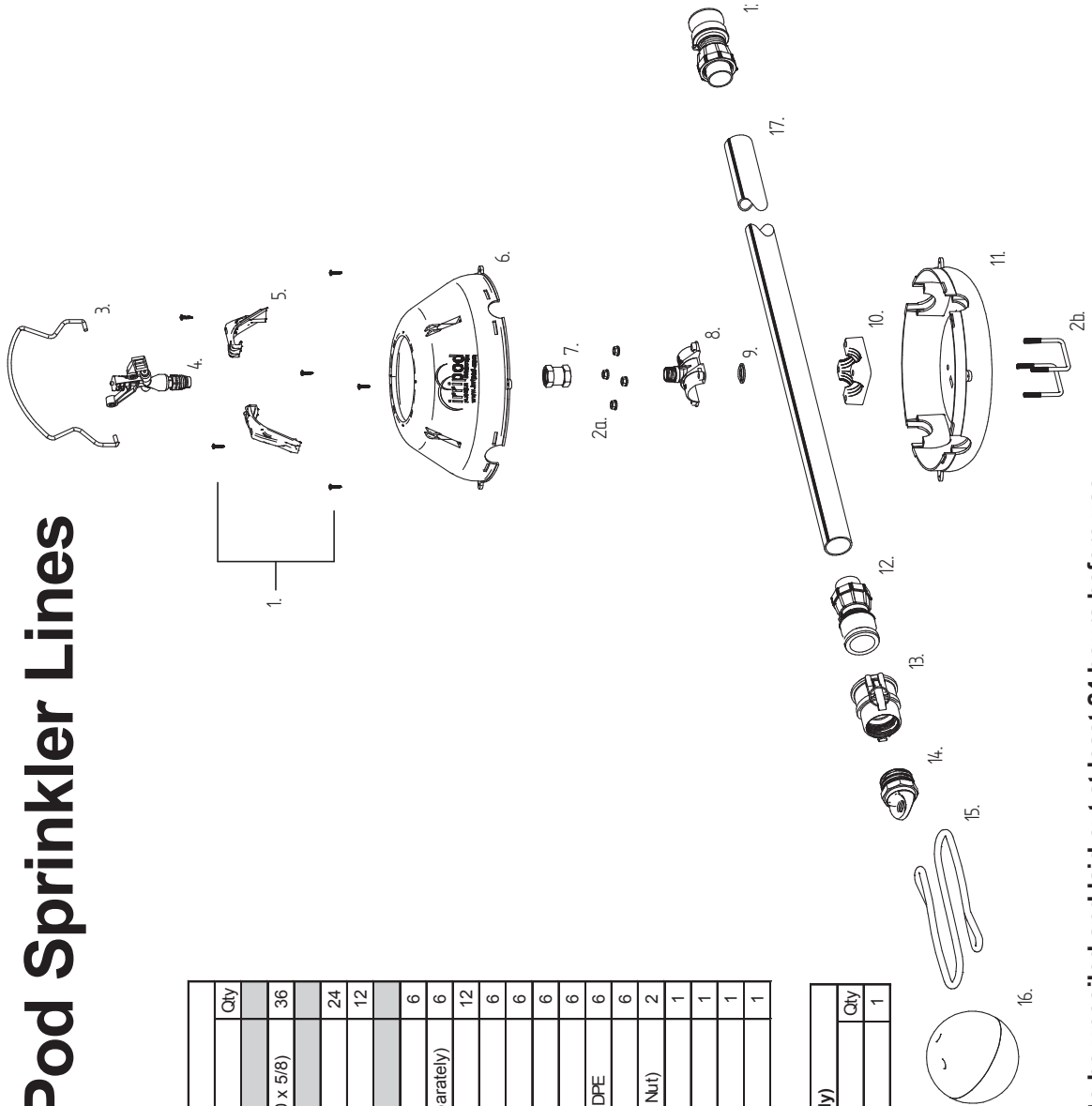
# Effluent Part D - Pod Sprinkler Lines

Quantities are for 1 Pod Sprinkler Line (1 Carton).  
 PLEASE NOTE there are 3 cartons per Effluent System.

Effluent Part D - Pod Sprinkler Lines			
No.	Product Code	Item Name	Qty
1	IP-SCREWS	Medium Self Tapper (10 x 3/4) or (10 x 5/8)	36
2a	IP-BOLTS	M8 Flanged Nuts	24
2b	IP-BOLTS	M8 U-Bolts	12
3	IP-WIRE	Irripod Wire Protector	6
4	A329	Naan 5035 SD Sprinkler (Packed Separately)	6
5	IP-WIRECLIP	Irripod Wire Retainer Clips	12
6	IP-COVER-LI	Irripod Lillac Top Cover	6
7	SS20	20mm Hansen Socket	6
8	TST45LDL20M	45mm LD Low Riser	6
9	IP0701	IP-Seal	6
10	CTA40-45LD	Irripod Cross Tee Anchor 40-45 LDPE	6
11	IP-BA-SE-BLK	Irripod Black Base	6
12	HOEP45 (45)	45mm Hansen Camlock (with Lillac Nut)	2
13	A325	50mm Female Camlock	1
14	HTE50BSP	50mm BSP Hansen Tow Eye	1
15	TOWROPE	Tow Rope	1
16	TOWBALL	Irripod Tow Ball	1

Items 1, 2a-2b, 3, 5, 8 and 10 are included in TSK40-45LDU.

45mm Effluent Pipe (Pipe Coil Supplied Separately)			
No.	Product Code	Item Name	Qty
17	2230.45PNS.120	Effluent Pipe 45mm x 120m	1

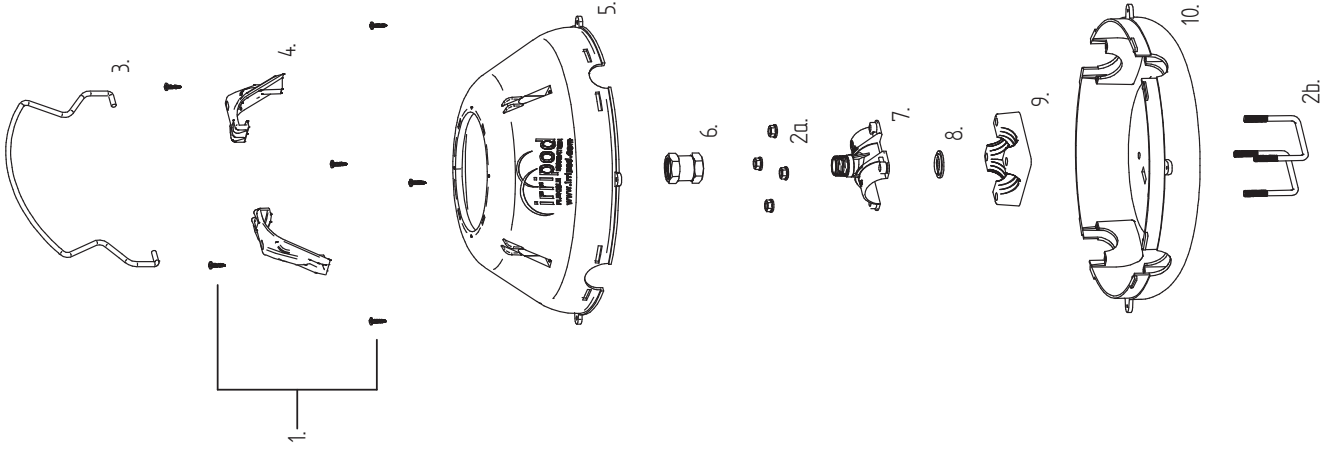


Pipe needs to be uncoiled and laid out at least 24 hours before use



**irripod** FLEXIBLE IRRIGATION **EFFLUENT TECHNICAL INFORMATION**

## Irripod 45mm Effluent Pod



Irripod 45mm Effluent Pod			Qty
No.	Product Code	Item Name	
	Screw Bag Contains		
1	IP-SCREWS	Medium Self Tapper (10 x 3/4) or (10 x 5/8)	6
	Bolt Bag Contains		
2a	IP-UBOLTS	M8 Flanged Nuts	4
2b	IP-UBOLTS	M8 U-Bolts	2
3	IP-WIRE	Irripod Wire Protector	1
4	IP-WIRECLIP	Irripod Wire Retainer Clips	2
5	IP-COVER-LI	Irripod Lilac Top Cover	1
6	SS20	20mm Hansen Socket	1
7	TST45LDL20M	45mm LD Low Riser	1
8	IP-SEAL	Seal	1
9	CTA40-45LD	Irripod Cross Tee Anchor 40-45 LDPE	1
10	IP-BASE-BLK	Irripod Black Base	1

Items 1, 2a-2b, 3, 4, 8 and 9 are included in TSK40-45LDU.







**Post Riser**



**Mini Sprinkler**

With over 60 years experience in manufacturing, Hansen Products knows the importance that quality fittings play in the performance and control of fluid delivery, flow and pressure within a pipe system. This has seen Hansen Products build a reputation for providing high performance, easy to use, innovative, simple products that provide our customers with “Best Installed Value”. All Hansen products carry our Hansen Warranty.\*

\*For more information on our warranty please go to Legal section.

## The Hansen Post Riser

The Hansen Post Riser is an easy and fast to install one piece post top sprinkler application for use in vegetable, orchard, pasture and domestic irrigation systems.

## The Hansen Mini Sprinkler

Using the Hansen Mini Sprinkler prevents water drops on flower blooms and liquid feed burns. Little if any water on leaves or in crown of plants overnight, reduces cause of bulb or new growth rot.

The Hansen Mini Sprinkler has great resistance to blocking as it has full volume right to the distribution jets. It will fit pots from 100mm (4 inches) to 600mm (2 feet) diameter, The unique angle of water spray is 30°, ensuring that once height is set with the sprinkler mounted on the stake, pressure variations will not cause water to spray out of the pots.



*Hansen Mini Sprinkler in use*



*Hansen Post Riser  
with Regulator and  
Sprinkler mounted  
(Sprinkler & Regulator  
not included)*

## Mini Sprinklers *Irrigation*



The Hansen Mini Sprinklers are a blockage resistant sprinkler system that allows full volume right to the head. Ideally suited for orchids & flowers, glasshouse crops, gardens, landscaping, offices and pot plants.

Code	Description	Pack Size	RRP
HPS64	6Jetx400mm Microjet Sprinkler	EA	\$9.82
HPS6T	6 Jet Blue Top	EA	\$2.58
HPS6TA	6 Jet Blue Top Assembly	EA	\$5.47
HPS6TA+T	6 Jet Blue Top Assembly & Tube	EA	\$8.66
HPS84	8Jetx400mm Microjet Sprinkler	EA	\$9.82
HPS8T	8 Jet Yellow Top	EA	\$2.58
HPS8TA	8 Jet Yellow Top Assembly	EA	\$5.47
HPS8TA+T	8 Jet Yellow Top Assem. & Tube	EA	\$8.66
HPSTUBE	1 Meter 6mm Tube	EA	\$3.08
HSTAKE400M	400mm Stake For HPS	EA	\$1.77

## Post Risers *Irrigation*

Post Riser  
Bracket and Body



The Hansen Post Riser is an easy and fast to install one piece post top sprinkler application for use in vegetable, orchard, pasture and domestic irrigation systems.

Code	Description	Pack Size	RRP
POSTRISER20	20mm Post Riser Bracket & Body	EA	\$23.43
POSTRISER25	25mm Post Riser Bracket & Body	EA	\$29.17

Post Riser  
Bracket and Body  
with Socket



Code	Description	Pack Size	RRP
POST20KIT	20mm Post Riser with SS20 Kit	EA	\$29.48
POST25KIT	25mm Post Riser with SS25 Kit	EA	\$37.53



Best Installed Value

Email: [info@hansenproducts.com.au](mailto:info@hansenproducts.com.au)  
Website: [www.hansenproducts.com.au](http://www.hansenproducts.com.au)

## *Irrigation* TECHNICAL INFORMATION

### Mini Sprinklers

Using the HANSEN MINI SPRINKLER prevents water drops on flower blooms and liquid feed burns. Little, if any, water on leaves or in crown of plants overnight, reduces cause of bulb or new growth rot.

The HANSEN MINI SPRINKLER has great resistance to blocking as it has full volume right to the distribution jets. It will fit pots from 100mm (4 inches) to 600mm (2 feet) diameter, The unique angle of water spray is 30°, ensuring that once height is set with the sprinkler mounted on the stake, pressure variations will not cause water to spray out of the pots.

#### **WATER LOSS MINIMISED**

Plants can be watered very slowly with small volumes ensuring no runoff. This prevents accumulation of water on the floor which reduces humidity during flower season. As all water used is directed onto the plant, up to 30% savings could be achieved on water and nutrient usage.

#### **TEMPERATURE CONTROL**

The HANSEN MINI SPRINKLER can be used in the summer months to cool plant roots and help initiate spiking.

#### **EASY CLEANING**

The jets can be cleaned by loosening the cap, allowing water to flush across the face of the slots, while the sprinkler is operating.

#### **APPLICATIONS**

- Orchids & Flowers
- Glasshouse Crops
- Gardens
- Landscaping
- Offices & Commercial Buildings
- Display Pot Plants

## Mini Sprinklers

### FEATURES

- Unique Patented Design
- 2 Park Sprinkler
- Quick Cleaning
- Full circle Spray
- Volume delivered per plant by variation of pressure
- Will fit any size pot
- Very low volume - .15 litre/minute at 70 kPa/10 psi
- Operating pressure range - 50 kPa/7 psi - 200 kPa/30 psi
- Optimum operating pressure - 100 kPa/15 psi - 170 kPa/25 psi



HPS 63  
(6 Slot Blue)



HPS 83  
(6 Slot Yellow)

Model (Colour)	kPa/psi	Litres / Min	Litres / Hour
HP63 Blue	70/10	0.15	9
	100/15	0.25	15
	170/25	0.30	18
HP83 Yellow	70/100	0.25	15
	100/15	0.35	21
	170/25	0.50	30

Lateral Tube Diameter	Number of Sprinklers per Lateral	Number of Sprinklers per Main
	Yellow Blue	
13mm 1/2"	20 25 50 kPa/7 psi	40mm 1 1/2" 1200 Blue
19mm 3/4"	175 130 70 kPa/10 psi	40mm 1 1/2" 1000 Yellow

NOTE: Low density polyethylene should be used for supply line and thin wall polyethylene used for lateral tubing.

## *Irrigation* TECHNICAL INFORMATION

### Post Risers

#### APPLICATIONS

- Used in vegetable, orchard, pasture and domestic irrigation systems.
- For any post top sprinkler application;
  1. Above canopy system
  2. Frost protection system
  3. Solid set system

#### FEATURES AND BENEFITS

- Easy and fast to install.
- One piece post riser – no parts to add during installation.
- The bottom post bracket is fixed, with the top post bracket being fully adjustable - allowing easy and controlled attachment to any post shape.
- Captive post brackets only require two hands to install.
- Fastest riser of its kind on the market to install.
- Hansen Glass Fibre Reinforced Nylon quality.
- U.V. resistant.
- Very strong.

#### INSTALLATION

1. Screw the bottom post bracket to the correct position on the post.
2. Adjust the top post bracket to the best position on the post then attach screws
3. Connect the pipe to the Hansen poly end fitting (refer to Easy Fit PipeFitting instructions).
4. Attach sprinkler/Valve/Socket etc depending on thread configuration. Use a thread sealant on all threaded connections. We recommend Loctite 5331.

Attention – Step 4 may need to precede Step 1 depending on Valve/Sprinkler position to post top!!!

We recommend following pipe manufacturers guidelines.

#### FREQUENTLY ASKED QUESTIONS

##### **Q What pipe will fit the Hansen Post Riser?**

**A** The post riser has a Hansen Easy Fit fitting on the inlet in 20mm (3/4") to fit low density and lateral poly pipe.

##### **Q Do I need a flat faced post to install?**

**A** No, because the top screw bracket can move vertically and swivel horizontally it will fit any post face.

##### **Q Is the Hansen Post Riser U.V. resistant?**

**A** Yes, just the same as all Hansen fittings and valves they are U.V. stabilised.

##### **Q What top thread is on the Hansen Post Riser?**

**A** The post riser carries a male 20mm (3/4") BSPT thread.

# Accessories

**HANSEN**<sup>™</sup>

Best Installed Value

## **Ceelon** Thread Seal Tape

*Fast, clean, leakproof sealing of all threaded joints*



## **HANSEN** Han-Tool

*Determines which Easy Fit Poly or Compression fitting will fit your pipe*



## ACCESSORIES



## Accessories

### Ceelon PTFE Thread Seal Tape

	Code	Length x Size	Pack Size	RRP
	C/RED	10M x 12mm x 0.75mm	Display Box - 24 Rolls	\$94.53
	C/RED-ROLL	10M x 12mm x 0.75mm	EA	\$4.84
	C/BLUE	12M x 18mm x 0.75mm	Display Box - 16 Rolls	\$138.62
	C/BLUE-ROLL	12M x 18mm x 0.75mm	EA	\$9.68
	C/GREEN	12M x 24mm x 0.75mm	Display Box - 16 Rolls	\$161.29
	C/GREEN-ROLL	12M x 24mm x 0.75mm	EA	\$10.89





### Handyman Thread Seal

Code	Length x Size	Pack Size	RRP
PTFE12/100	10M x 12mm	EA	\$3.44

### MD Chamfer Tool

*Deburring tool used to create a beveled edge on the end of MD pipe for easy and clean insertion of pipe into MD fittings.*

MD Chamfer Tool	Code	Description	Pack Size	RRP
	HMDCHAMF	Tool for 20mm - 63mm Pipe	EA	\$75.21
	HMDCHAMFL	Tool for 75mm - 110mm Pipe	EA	\$121.11
MD Chamfer Blades	Code	Description	Pack Size	RRP
	HMDCHAMFB	Replacement Blades	10	\$23.60

Prices are in AUD and are inclusive of 10% GST. Recommended Retail Prices are indicative and Actual Retail Prices may vary between retailers.

## Accessories

### Worm Drive Clamps - W1 Galvanised

#### Worm Drive Clamps W1 Galvanised



Code	Size	Pack Size	RRP
WD9 8-12W1-10	8mm - 12mm	EA	\$1.02
WD9 8-16W1-10	8mm - 16mm	EA	\$1.04
WD9 12-20W1-10	12mm - 20mm	EA	\$1.07
WD9 12-22W1-10	12mm - 22mm	EA	\$1.15
WD12 16-27W1-10	16mm - 27mm	EA	\$1.68
WD12 20-32W1-10	20mm - 32mm	EA	\$1.72
WD12 23-35W1-10	23mm - 35mm	EA	\$1.76
WD12 25-40W1-10	25mm - 40mm	EA	\$1.80
WD12 30-45W1-10	30mm - 45mm	EA	\$1.89
WD12 32-50W1-10	32mm - 50mm	EA	\$1.95
WD12 40-60W1-10	40mm - 60mm	EA	\$2.10
WD12 50-70W1-10	50mm - 70mm	EA	\$2.23
WD12 60-80W1-10	60mm - 80mm	EA	\$2.34
WD12 70-90W1-10	70mm - 90mm	EA	\$2.48
WD12 80-100W1-10	80mm - 100mm	EA	\$3.04
WD12 90-110W1-10	90mm - 110mm	EA	\$3.18
WD12 100-120W1-10	100mm - 120mm	EA	\$3.28
WD12 110-130W1-10	110mm - 130mm	EA	\$3.45
WD12 120-140W1-10	120mm - 140mm	EA	\$3.56
WD12 130-150W1-10	130mm - 150mm	EA	\$3.70
WD12 140-160W1-10	140mm - 160mm	EA	\$3.84

### Worm Drive Clamps - W3 Stainless Steel (430)

#### Worm Drive Clamps W3 Stainless Steel



Code	Size	Pack Size	RRP
WD9 8-12W3-10	8mm - 12mm	EA	\$2.20
WD9 8-16W3-10	8mm - 16mm	EA	\$2.24
WD9 12-20W3-10	2mm - 20mm	EA	\$2.27
WD9 12-22W3-10	12mm - 22mm	EA	\$2.51
WD12 16-27W3-10	16mm - 27mm	EA	\$2.68
WD12 20-32W3-10	20mm - 32mm	EA	\$2.74
WD12 23-35W3-10	23mm - 35mm	EA	\$2.76
WD12 25-40W3-10	25mm - 40mm	EA	\$2.82
WD12 30-45W3-10	30mm - 45mm	EA	\$2.92
WD12 32-50W3-10	32mm - 50mm	EA	\$2.98
WD12 40-60W3-10	40mm - 60mm	EA	\$3.15

Prices are in AUD and are inclusive of 10% GST. Recommended Retail Prices are indicative and Actual Retail Prices may vary between retailers.

...continued from previous page

## Worm Drive Clamps - W3 Stainless Steel (430)

### Worm Drive Clamps W3 Stainless Steel



Code	Size	Pack Size	RRP
WD12 50-70W3-10	50mm - 70mm	EA	\$3.31
WD12 60-80W3-10	60mm - 80mm	EA	\$3.43
WD12 70-90W3-10	70mm - 90mm	EA	\$3.59
WD12 80-100W3-10	80mm - 100mm	EA	\$4.54
WD12 90-110W3-10	90mm - 110mm	EA	\$4.70
WD12 100-120W3-10	100mm - 120mm	EA	\$4.85
WD12 110-130W3-10	110mm - 130mm	EA	\$5.01
WD12 120-140W3-10	120mm - 140mm	EA	\$5.17
WD12 130-150W3-10	130mm - 150mm	EA	\$5.33
WD12 140-160W3-10	140mm - 160mm	EA	\$5.49

## Worm Drive Clamps - W4 Stainless Steel

### Worm Drive Clamps W4 Stainless Steel



Code	Size	Pack Size	RRP
WD9 8-12W4-10	8mm - 12mm	EA	\$2.49
WD9 8-16W4-10	8mm - 16mm	EA	\$2.54
WD9 12-20W4-10	12mm - 20mm	EA	\$2.60
WD9 12-22W4-10	12mm - 22mm	EA	\$2.90
WD12 16-27W4-10	16mm - 27mm	EA	\$3.33
WD12 20-32W4-10	20mm - 32mm	EA	\$3.43
WD12 23-35W4-10	23mm - 35mm	EA	\$3.47
WD12 25-40W4-10	25mm - 40mm	EA	\$3.57
WD12 30-45W4-10	30mm - 45mm	EA	\$3.71
WD12 32-50W4-10	32mm - 50mm	EA	\$3.81
WD12 40-60W4-10	40mm - 60mm	EA	\$4.06
WD12 50-70W4-10	50mm - 70mm	EA	\$4.28
WD12 60-80W4-10	60mm - 80mm	EA	\$4.48
WD12 70-90W4-10	70mm - 90mm	EA	\$4.73
WD12 80-100W4-10	80mm - 100mm	EA	\$6.12
WD12 90-110W4-10	90mm - 110mm	EA	\$6.38
WD12 100-120W4-10	100mm - 120mm	EA	\$6.62
WD12 110-130W4-10	110mm - 130mm	EA	\$6.91
WD12 120-140W4-10	120mm - 140mm	EA	\$7.15
WD12 130-150W4-10	130mm - 150mm	EA	\$7.41
WD12 140-160W4-10	140mm - 160mm	EA	\$7.67

Prices are in AUD and are inclusive of 10% GST. Recommended Retail Prices are indicative and Actual Retail Prices may vary between retailers.

## Accessories

### HD Clamps - W1 Zinc Plated Carbon Steel

HD Clamps  
W1 Zinc Plated  
Carbon Steel



Code	Size	Pack Size	RRP
HD18 17-19W1TOX	17mm - 19mm	EA	\$3.36
HD18 19-21W1TOX	19mm - 21mm	EA	\$3.39
HD18 21-23W1TOX	21mm - 23mm	EA	\$3.42
HD18 23-25W1TOX	23mm - 25mm	EA	\$3.42
HD18 25-27W1TOX	25mm - 27mm	EA	\$3.44
HD18 27-29W1TOX	27mm - 29mm	EA	\$3.61
HD18 29-31W1TOX	29mm - 31mm	EA	\$3.61
HD20 31-34W1TOX	31mm - 34mm	EA	\$4.40
HD20 34-37W1TOX	34mm - 37mm	EA	\$4.45
HD20 37-40W1TOX	37mm - 40mm	EA	\$4.47
HD20 40-43W1TOX	40mm - 43mm	EA	\$4.47
HD20 43-47W1TOX	43mm - 47mm	EA	\$4.72
HD20 47-51W1TOX	47mm - 51mm	EA	\$4.75
HD20 51-55W1TOX	51mm - 55mm	EA	\$4.81
HD20 55-59W1TOX	55mm - 59mm	EA	\$4.89
HD20 59-63W1TOX	59mm - 63mm	EA	\$4.98
HD20 63-68W1TOX	63mm - 68mm	EA	\$5.46
HD25 68-73W1TOX	68mm - 73mm	EA	\$8.95
HD25 73-79W1TOX	73mm - 79mm	EA	\$9.01
HD25 79-85W1TOX	79mm - 85mm	EA	\$9.23
HD25 85-91W1TOX	85mm - 91mm	EA	\$9.41
HD25 91-97W1TOX	91mm - 97mm	EA	\$9.65
HD25 97-104W1TOX	97mm - 104mm	EA	\$9.89
HD25 104-112W1TOX	104mm - 112mm	EA	\$10.41
HD25 112-121W1TOX	112mm - 121mm	EA	\$10.73
HD25 121-130W1TOX	121mm - 130mm	EA	\$12.46
HD25 130-140W1TOX	130mm - 140mm	EA	\$12.94
HD25 140-150W1TOX	140mm - 150mm	EA	\$13.21
HD25 150-162W1TOX	150mm - 162mm	EA	\$15.20
HD25 162-174W1TOX	162mm - 174mm	EA	\$16.32
HD25 174-187W1TOX	174mm - 187mm	EA	\$16.90
HD25 187-200W1TOX	187mm - 200mm	EA	\$17.40
HD25 200-213W1TOX	200mm - 213mm	EA	\$18.04
HD25 213-226W1TOX	213mm - 216mm	EA	\$18.61
HD25 226-239W1TOX	226mm - 239mm	EA	\$20.20
HD25 239-252W1TOX	239mm - 252mm	EA	\$20.81

### Worm Drive Grab Kits



Code	Description	Size	Pack Size	RRP
WD9/12W3GrabKit	WD9/12W3 Grab Kit 8 Partition 135pce	8mm - 60mm	EA	\$371.38
WD9/12W4GrabKit	WD9/12W4 Grab Kit 8 Partition 135pce	8mm - 60mm	EA	\$460.28

Prices are in AUD and are inclusive of 10% GST. Recommended Retail Prices are indicative and Actual Retail Prices may vary between retailers.

## Accessories

### HD Clamps - W4 Stainless Steel (304)

HD Clamps  
W4 Stainless  
Steel (304)



Code	Size	Pack Size	RRP
HD18 17-19W4TOX	17mm - 19mm	EA	\$8.66
HD18 19-21W4TOX	19mm - 21mm	EA	\$9.01
HD18 21-23W4TOX	21mm - 23mm	EA	\$9.31
HD18 23-25W4TOX	23mm - 25mm	EA	\$9.31
HD18 25-27W4TOX	25mm - 27mm	EA	\$9.68
HD18 27-29W4TOX	27mm - 29mm	EA	\$10.05
HD18 29-31W4TOX	29mm - 31mm	EA	\$10.06
HD20 31-34W4TOX	31mm - 34mm	EA	\$12.21
HD20 34-37W4TOX	34mm - 37mm	EA	\$12.79
HD20 37-40W4TOX	37mm - 40mm	EA	\$12.79
HD20 40-43W4TOX	40mm - 43mm	EA	\$13.08
HD20 43-47W4TOX	43mm - 47mm	EA	\$13.28
HD20 47-51W4TOX	47mm - 51mm	EA	\$13.52
HD20 51-55W4TOX	51mm - 55mm	EA	\$13.76
HD20 55-59W4TOX	55mm - 59mm	EA	\$14.08
HD20 59-63W4TOX	59mm - 63mm	EA	\$14.30
HD20 63-68W4TOX	63mm - 68mm	EA	\$15.55
HD25 68-73W4TOX	68mm - 73mm	EA	\$26.64
HD25 73-79W4TOX	73mm - 79mm	EA	\$26.95
HD25 79-85W4TOX	79mm - 85mm	EA	\$27.57
HD25 85-91W4TOX	85mm - 91mm	EA	\$27.99
HD25 91-97W4TOX	91mm - 97mm	EA	\$28.49
HD25 97-104W4TOX	97mm - 104mm	EA	\$29.17
HD25 104-112W4TOX	104mm - 112mm	EA	\$31.32
HD25 112-121W4TOX	112mm - 121mm	EA	\$32.08
HD25 121-130W4TOX	121mm - 130mm	EA	\$32.97
HD25 130-140W4TOX	130mm - 140mm	EA	\$33.88
HD25 140-150W4TOX	140mm - 150mm	EA	\$34.53
HD25 150-162W4TOX	150mm - 162mm	EA	\$40.01
HD25 162-174W4TOX	162mm - 174mm	EA	\$41.82
HD25 174-187W4TOX	174mm - 187mm	EA	\$42.96
HD25 187-200W4TOX	187mm - 200mm	EA	\$44.09
HD25 200-213W4TOX	200mm - 213mm	EA	\$45.41
HD25 213-226W4TOX	213mm - 216mm	EA	\$46.60
HD25 226-239W4TOX	226mm - 239mm	EA	\$48.90
HD25 239-252W4TOX	239mm - 252mm	EA	\$50.16

### Worm Drive Flexidriver Tool



Code	Description	Size	Pack Size	RRP
Flexidriver7mmHex	ClampFlexidriver7mmHex	7mm	EA	\$30.11

Prices are in AUD and are inclusive of 10% GST. Recommended Retail Prices are indicative and Actual Retail Prices may vary between retailers.



Hansen Han-Tool. Includes instructional USB with demonstration videos for how to use.

**Code**  
**HAN-TOOL**

**RRP**  
**\$63.65**

The Hansen Han-Tool is a simple, effective tool used to determine which Easy Fit Poly or Compression fitting will fit your pipe. No more cutting off pieces of pipe and taking them to the store! The Hansen Han-Tool takes the guess work out of it and tells you exactly which size and type of fitting to choose.

## Before Measuring... Identify the Han-Tool Bottom



Bottom Outside



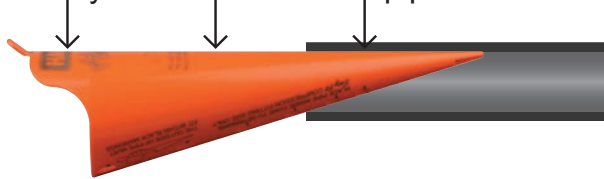
Bottom Inside

The Hansen Han-Tool has a **Bottom Outside** and a **Bottom Inside** as indicated in the images left. Identify these markings before proceeding.

## Keep the Han-Tool Flush when measuring

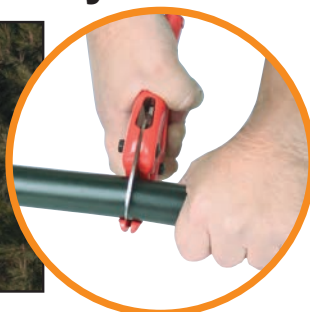
When measuring the pipe in the following steps, the Han-Tool's Bottom must be kept Flush with the pipe to ensure an accurate read.

The Han-Tool's **Bottom Outside** must stay flush with inside of pipe wall.



The Han-Tool's **Bottom Inside** must stay flush with outside of pipe wall.

## Cut the pipe squarely



Ensure the pipe is cut squarely using pipe cutters or a suitable pipe cutting tool so that an accurate pipe measurement can be read using the Han-Tool.

The Han-Tool products in this catalogue are protected by intellectual property rights owned by the Hansen group of companies in New Zealand. For more information refer to the legal information section.

Prices are in AUD and are inclusive of 10% GST. Recommended Retail Prices are indicative and Actual Retail Prices may vary between retailers.

## TECHNICAL INFORMATION *Han-Tool*

### Checking pipe for an Easy Fit Poly Fitting



1. Insert the Han-Tool into the pipe. Use the subtle indentation marks to read the pipe. If the pipe falls within the range of one of the black marks then...



2. Rotate the Han-Tool & follow the line from the mark to see what sized Easy Fit Poly Fitting to use, then continue to step 3.

If the pipe did **NOT** meet a mark, go to Easy Fit Compression Fittings below.



3. If the pipe **DID** meet a mark in your first check, now insert the pipe into the Han-Tool & use the row of **larger holes** to confirm the previous size check for an Easy Fit Poly Fitting. The pipe should fall within the range of one of the black marks.



4. Then follow the line from the mark back to the size which should be the same as the one in your first check. This confirms which sized Easy Fit Poly Fitting to use on your pipe.

### Checking pipe for an Easy Fit Compression Fitting



1. Insert the Han-Tool into the pipe. Use the subtle indentation marks to read the pipe. If the pipe does **NOT** meet a black mark then...



2. Insert the pipe into the Han-Tool and use the row of smaller holes to confirm the correct sized Easy Fit Compression Fitting to use on your pipe.



## Ceelon® PTFE Thread Seal Tape

High quality cost effective heavier weight (.75mm) threaded tape for all commercial and domestic applications. Colour coded for easy selection.

RED - 12mm x 10m PTFE

BLUE - 18mm x 12m PTFE

GREEN - 24mm x 12m PTFE



### Benefits

- Won't dry out, crack or harden.
- Designed to last.
- Withstands all chemicals. Inert to all acid, alkali, solvents, petrol & steam.
- Natural self-lubricating surface for easy winding on of thread.
- Withstands massive temperatures from minus 260 degrees Celsius to plus 260 degrees Celsius.



## Handyman Tape



### Handyman Tape

12mm x 10m high quality cost effective medium weight threaded tape for all domestic and commercial applications.

### Benefits

- Won't dry out, crack or harden.
- Designed to last.
- Withstands all chemicals. Inert to all acid, alkali, solvents, petrol & steam.
- Natural self-lubricating surface for easy winding on of thread.
- Withstands massive temperatures from minus 260 degrees Celsius to plus 260 degrees Celsius.



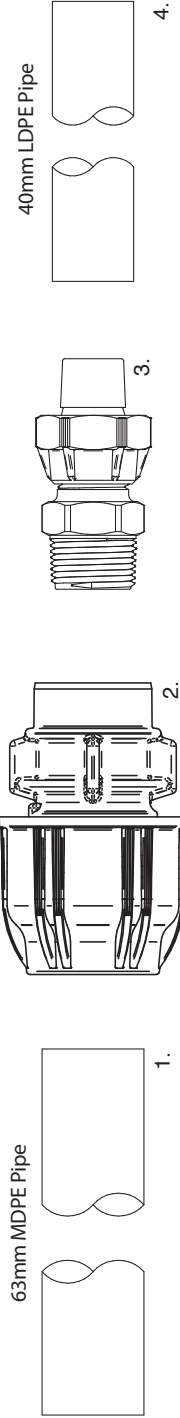


Best Installed Value

# *Installation Drawings*

## INSTALLATION

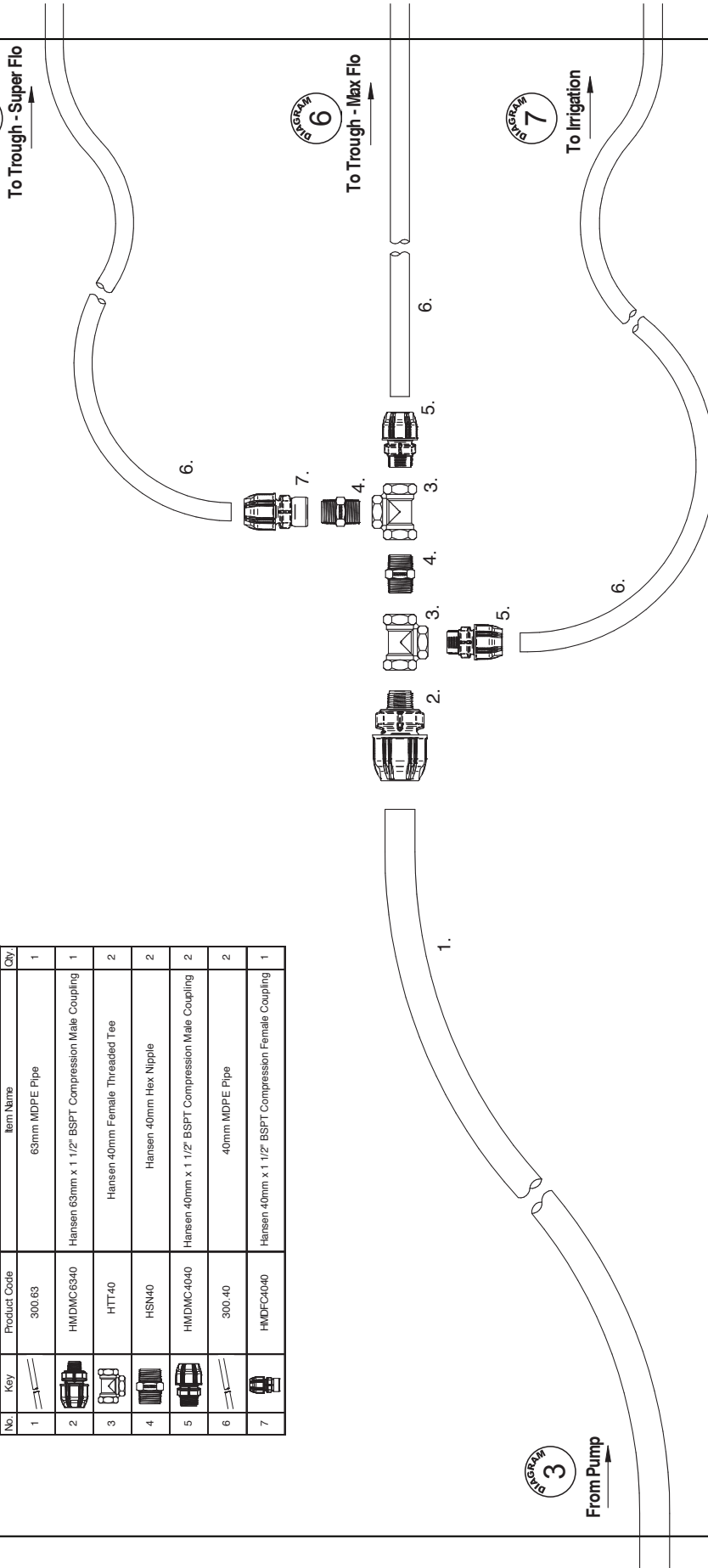
# Common Conversion Diagram for MDPE to LDPE



Common Conversion Diagram for MDPE to LDPE				
No.	Key	Product Code	Item Name	Qty
1		300.63	63mm MDPE Pipe	1
2		HMDFC6340	Hansen 63mm x 1 1/2' BSPT Compression Female Coupling	1
3		HMS-40	Hansen 40mm Male Straight Coupling	1
4		900.40	40mm LDPE Pipe	1

## Common Installation Diagram for MDPE (For MDPE Pipe)

Common Installation Diagram for MDPE				
No.	Key	Product Code	Item Name	Qty.
1		300.63	63mm MDPE Pipe	1
2		HMDMC6340	Hansen 63mm x 1 1/2" BSPT Compression Male Coupling	1
3		HIT740	Hansen 40mm Female Threaded Tee	2
4		HSN40	Hansen 40mm Hex Nipple	2
5		HMDMC4040	Hansen 40mm x 1 1/2" BSPT Compression Male Coupling	2
6		300.40	40mm MDPE Pipe	2
7		HMDFC4040	Hansen 40mm x 1 1/2" BSPT Compression Female Coupling	1

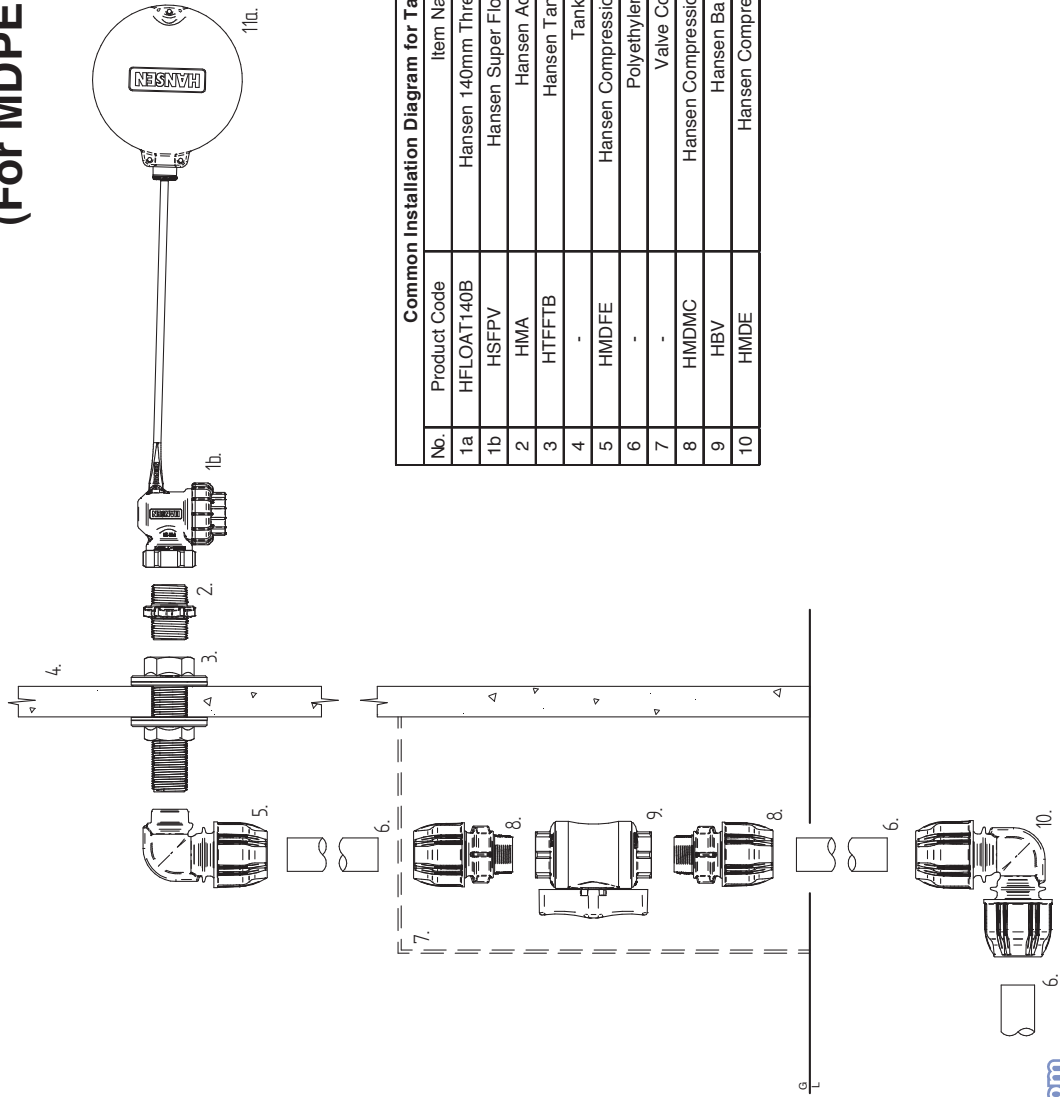


HDE 25/01 1408



www.hansenproducts.com

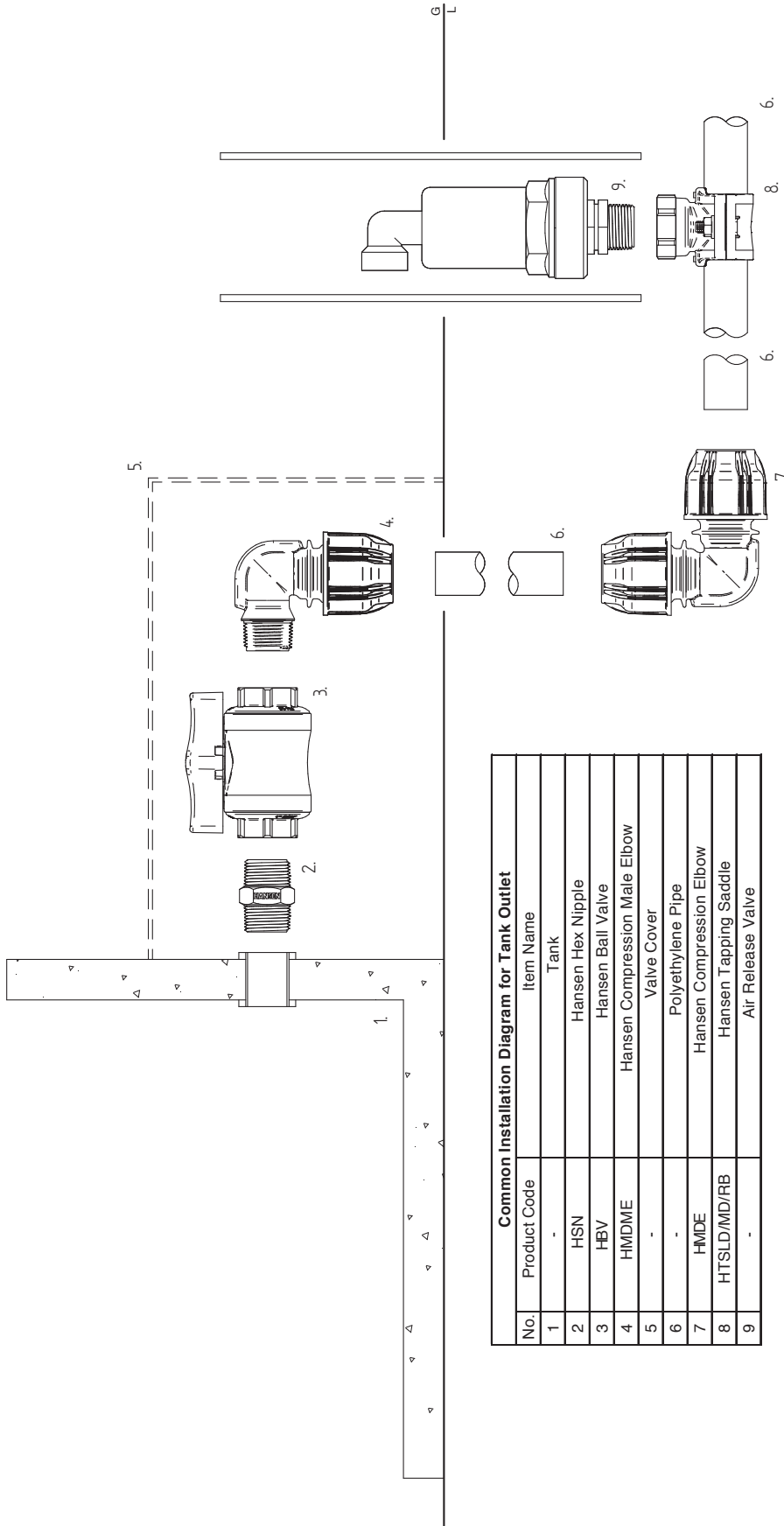
# Common Installation Diagram for Tank Inlet (For MDPE Pipe)



Common Installation Diagram for Tank Inlet	
No.	Item Name
1a	Hansen 140mm Threaded Float - Blue
1b	Hansen Super Flo Trough Valve
2	Hansen Adaptor
3	Hansen Tank Fitting
4	Tank
5	Hansen Compression Female Elbow
6	Polyethylene Pipe Valve Cover
7	-
8	Hansen Compression Male Coupling
9	Hansen Ball Valve
10	Hansen Compression Elbow

HDB 10201 1407

## Common Installation Diagram for Tank Outlet (For MDPE Pipe)



Common Installation Diagram for Tank Outlet	
No.	Item Name
1	Tank
2	Hansen Hex Nipple
3	Hansen Ball Valve
4	Hansen Compression Male Elbow
5	Valve Cover
6	Polyethylene Pipe
7	Hansen Compression Elbow
8	Hansen Tapping Saddle
9	Air Release Valve

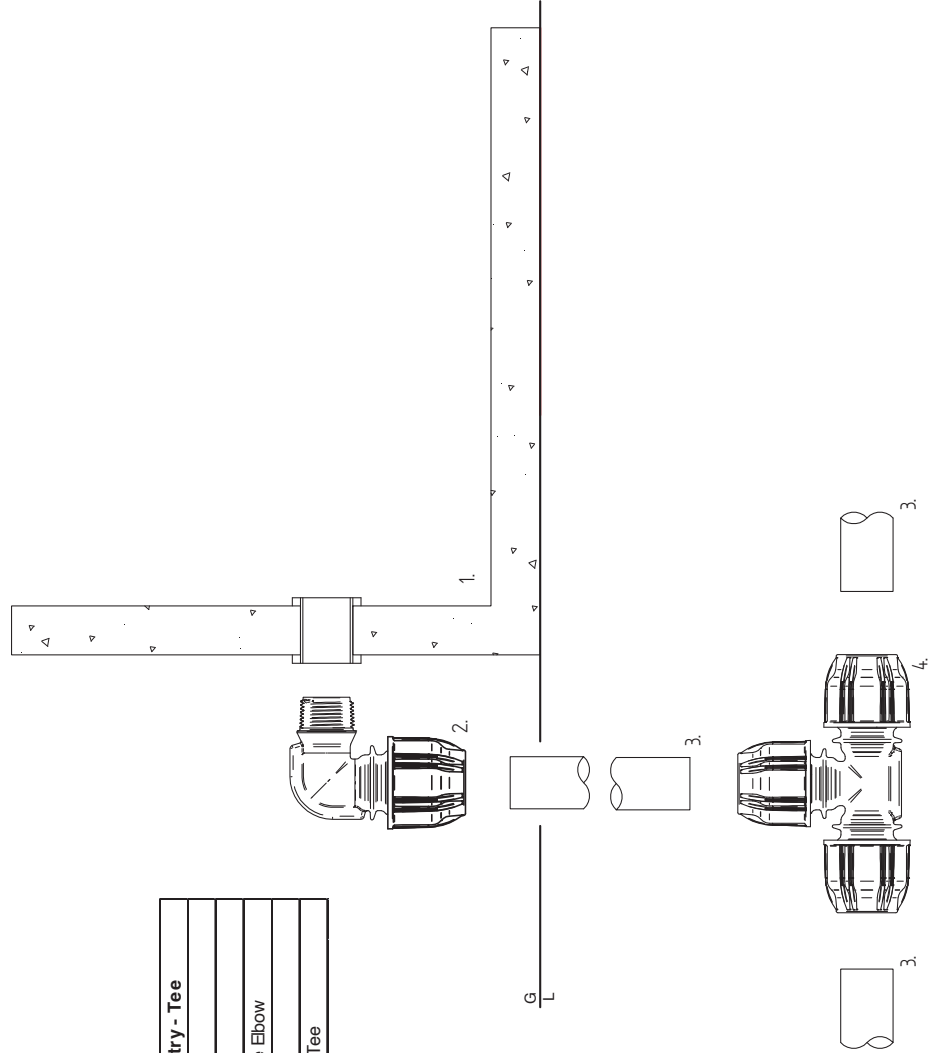


www.hansenproducts.com

HDB 087CI | 1407

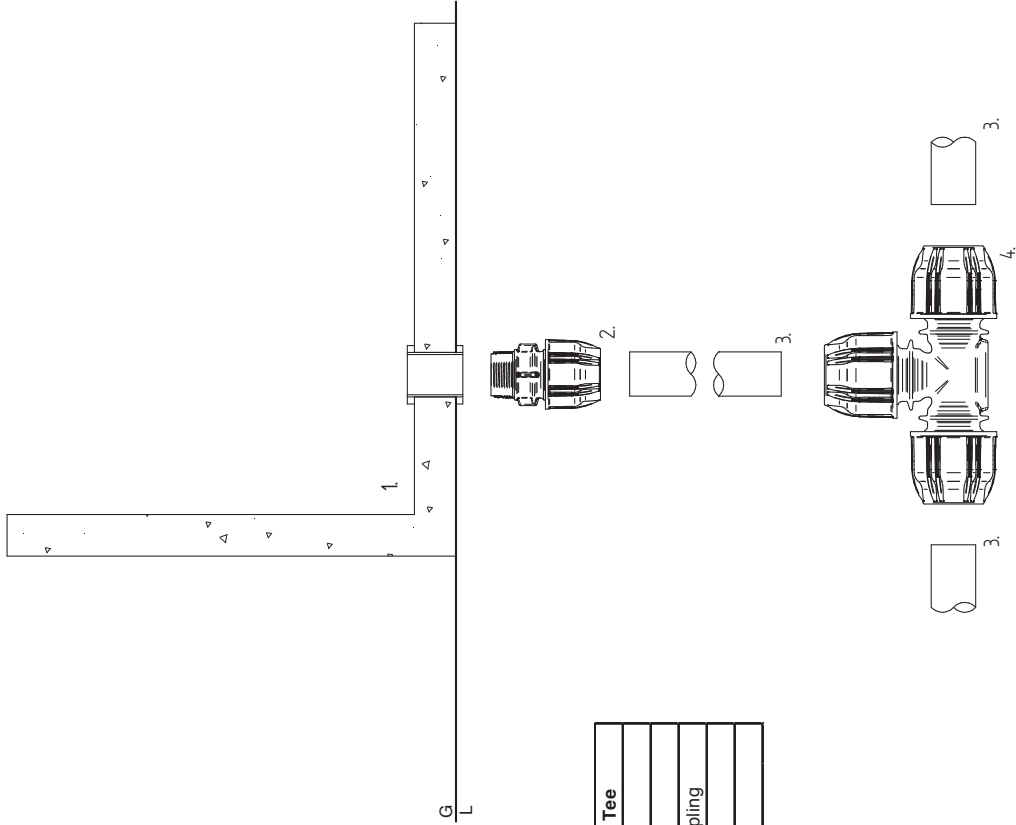
# Common Installation Diagram for Trough Side Entry Tee Entry - Tee (For MDPE Pipe)

Common Installation Diagram for Trough Side Entry - Tee	
No.	Item Name
1	Side Entry Trough
2	Hansen Compression Male Elbow
3	Polyethylene Pipe
4	Hansen Compression Tee



HOB 101E1 1407

## Common Installation Diagram for Trough Bottom Entry Tee (For MDPE Pipe)



Common Installation Diagram for Trough Bottom Entry - Tee	
No.	Item Name
1	Bottom Entry Trough
2	Hansen Compression Male Coupling
3	Polyethylene Pipe
4	Hansen Compression Tee

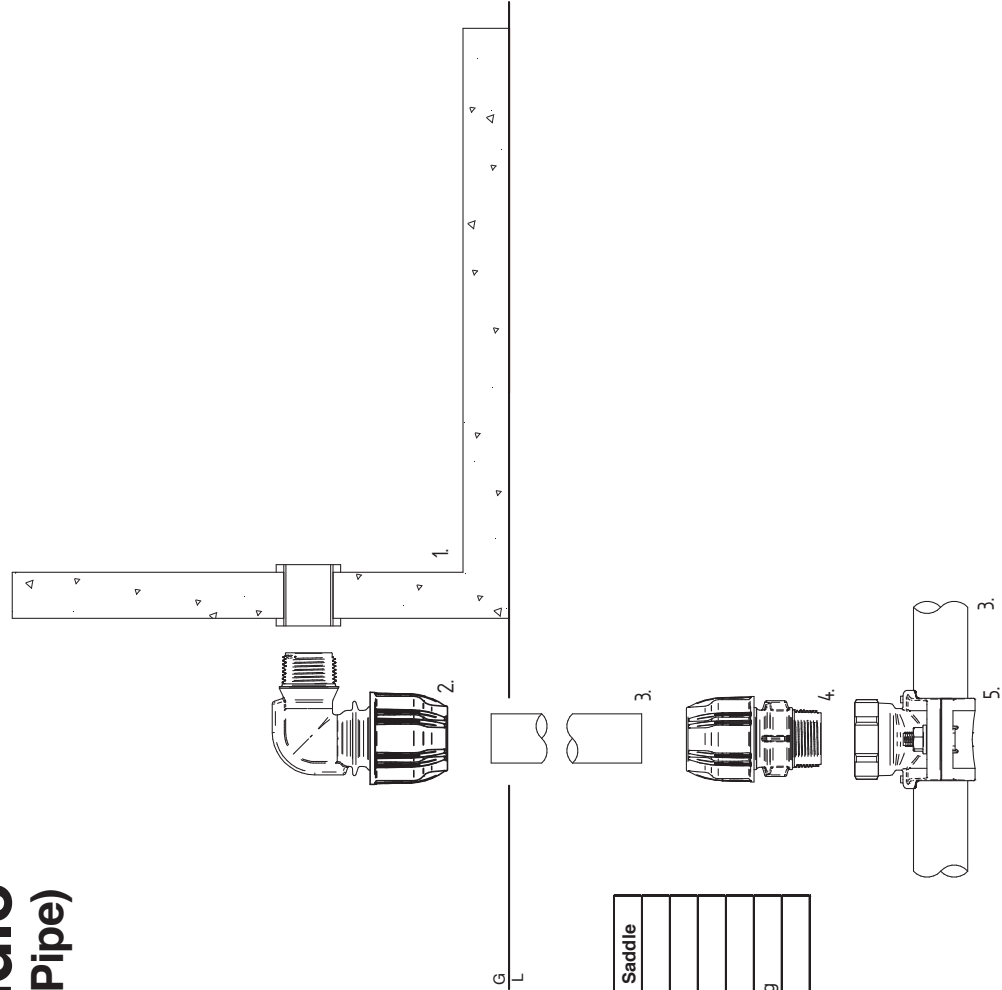


www.hansenproducts.com

HDB 099CI 1407



# Common Installation Diagram for Trough Side Entry - Tapping Saddle (For MDPE Pipe)



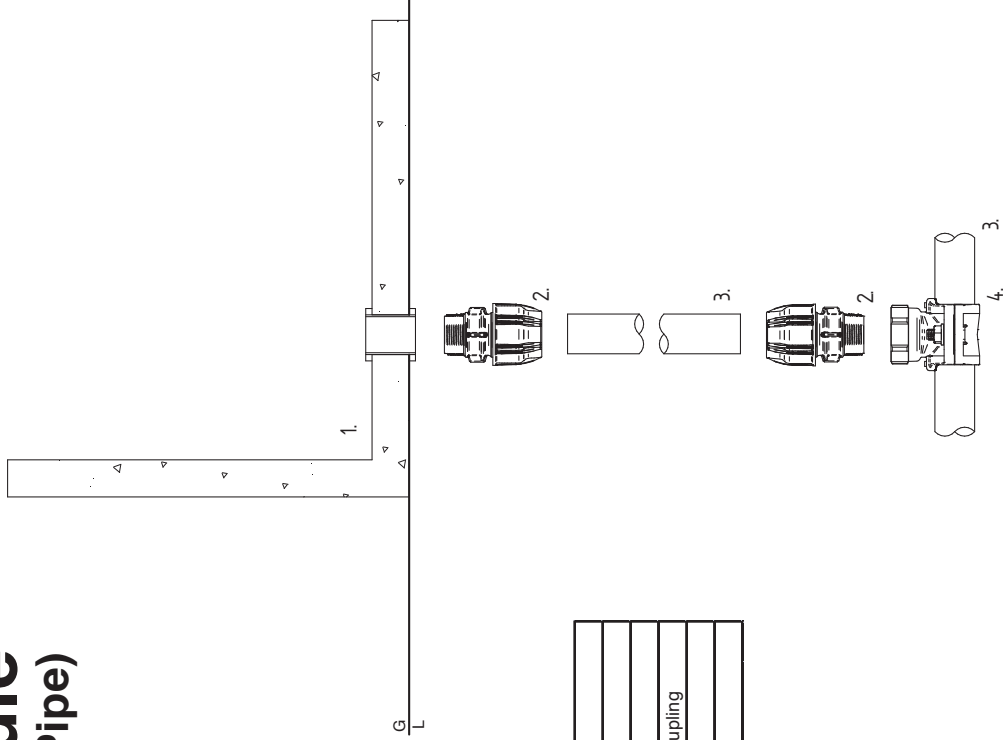
Common Installation Diagram for Trough Side Entry - Tapping Saddle	
No.	Item Name
1	Side Entry Trough
2	Hansen Compression Male Elbow
3	Polyethylene Pipe
4	Hansen Compression Male Coupling
5	Hansen Tapping Saddle



www.hansenproducts.com

HDB 100CI 1407

## Common Installation Diagram for Trough Bottom Entry - Tapping Saddle (For MDPE Pipe)



Common Installation Diagram for Trough Bottom Entry	
No.	Item Name
1	Bottom Entry Trough
2	Hansen Compression Male Coupling
3	Polyethylene Pipe
4	Hansen Tapping Saddle

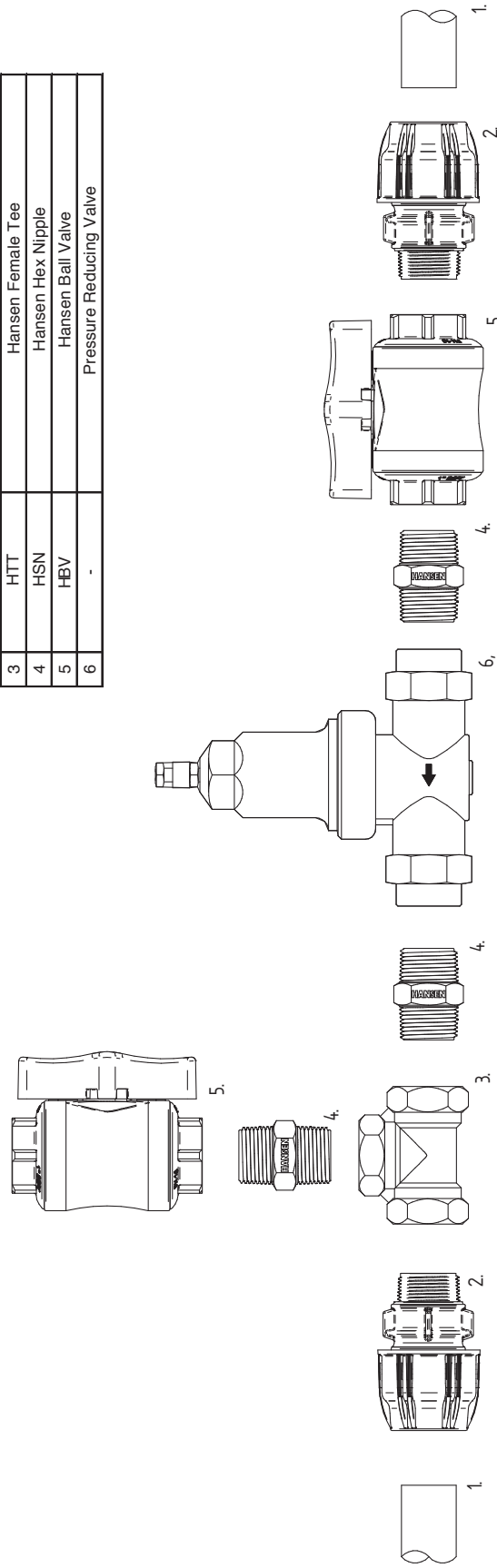


www.hansenproducts.com

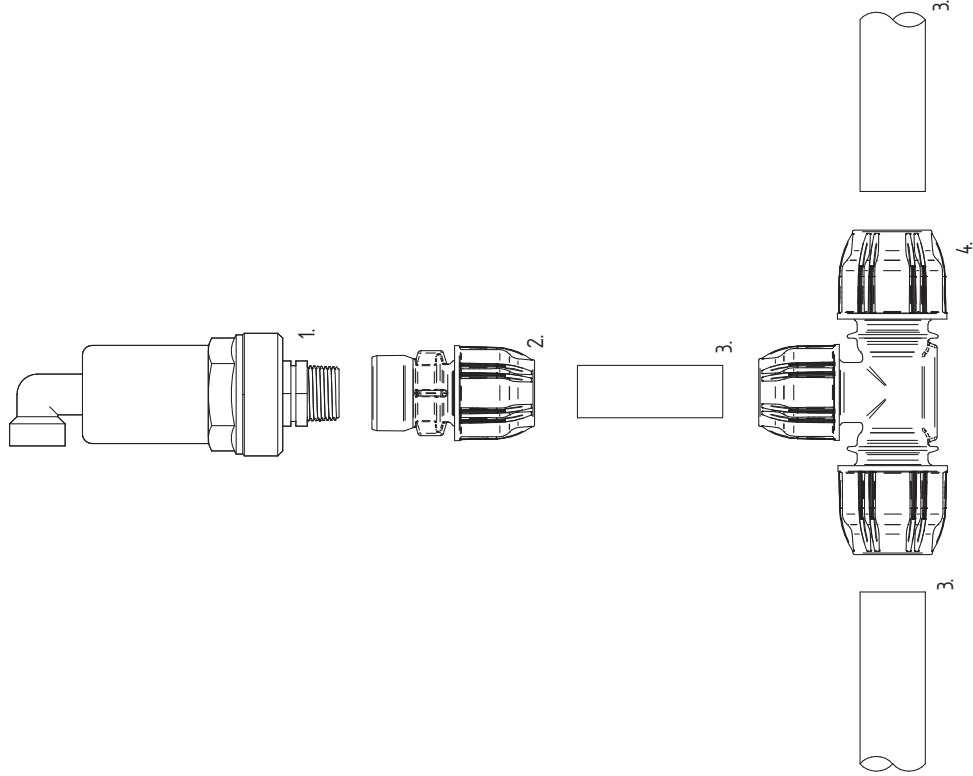
HDB 098CI 1407

# Common Installation Diagram for Pressure Reducing Valve Valve (For MDPE Pipe)

Common Installation Diagram for Pressure Reducing Valve	
No.	Item Name
1	Polyethylene Pipe
2	Hansen Compression Male Coupling
3	Hansen Female Tee
4	Hansen Hex Nipple
5	Hansen Ball Valve
6	Pressure Reducing Valve



## Common Installation Diagram for Air Release Valve (For MDPE Pipe)








Common Installation Diagram for Air Release Valve	
No.	Item Name
1	Air Release Valve
2	Hansen Compression Female Coupling
3	Polyethylene Pipe
4	Hansen Compression Reducing Tee

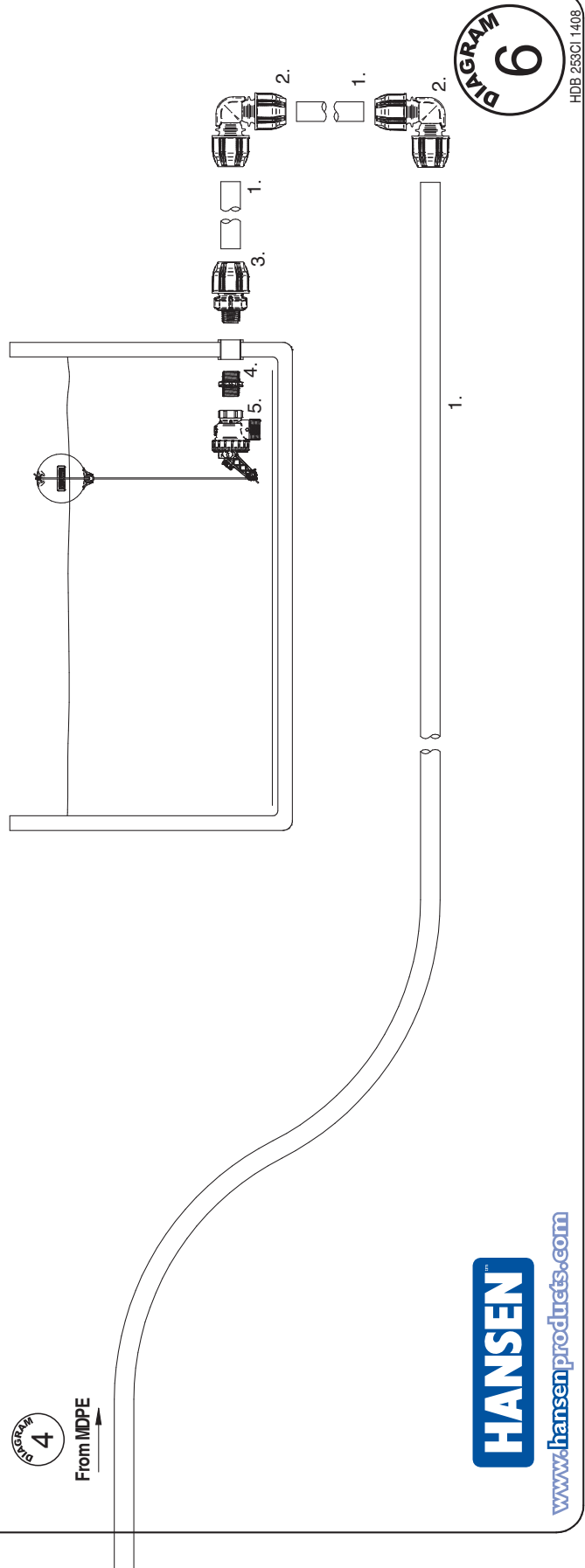


www.hansenproducts.com

HDB\_095CI\_1407

# Common Installation Diagram for Trough - Max Flo (For MDPE Pipe)

Common Installation Diagram for Trough - Max Flo			
No.	Key	Item Name	Qty.
1		40mm MDPE Pipe	3
2		Hansen 40mm Compression Elbow	2
3		Hansen 40mm x 1" BSPT Compression Male Coupling	1
4		Hansen Male Adaptor 25mm BSPT x 25mm BSPT	1
5		Hansen Maxflo 25/20 Diaphragm Valve <small>(refer to installation instructions)</small>	1

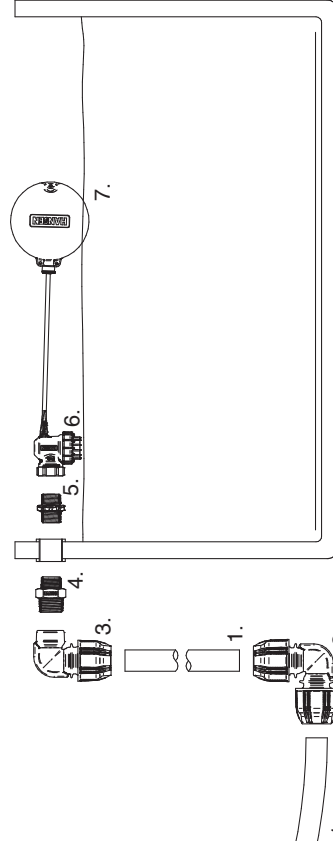


## Common Installation Diagram for Trough - Super Flo (For MDPE Pipe)



From MDPE

Common Installation Diagram for Trough - Super Flo			
No.	Key	Product Code	Qty.
1		300.40	2
2		HMDE40	1
3		HMDFE4032	1
4		HRHN3225	1
5		HMA25	1
6		HSFPV2520 <small>(Refer to installation instructions)</small>	1
7		HELOATI40B	1



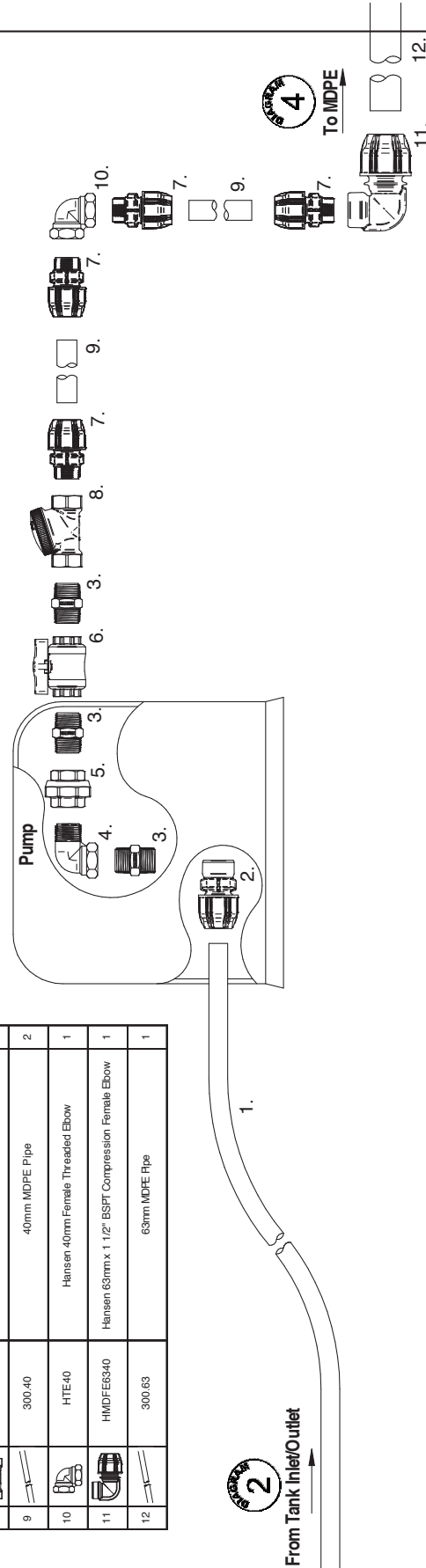
HDB 250CI 140B



www.hansenproducts.com

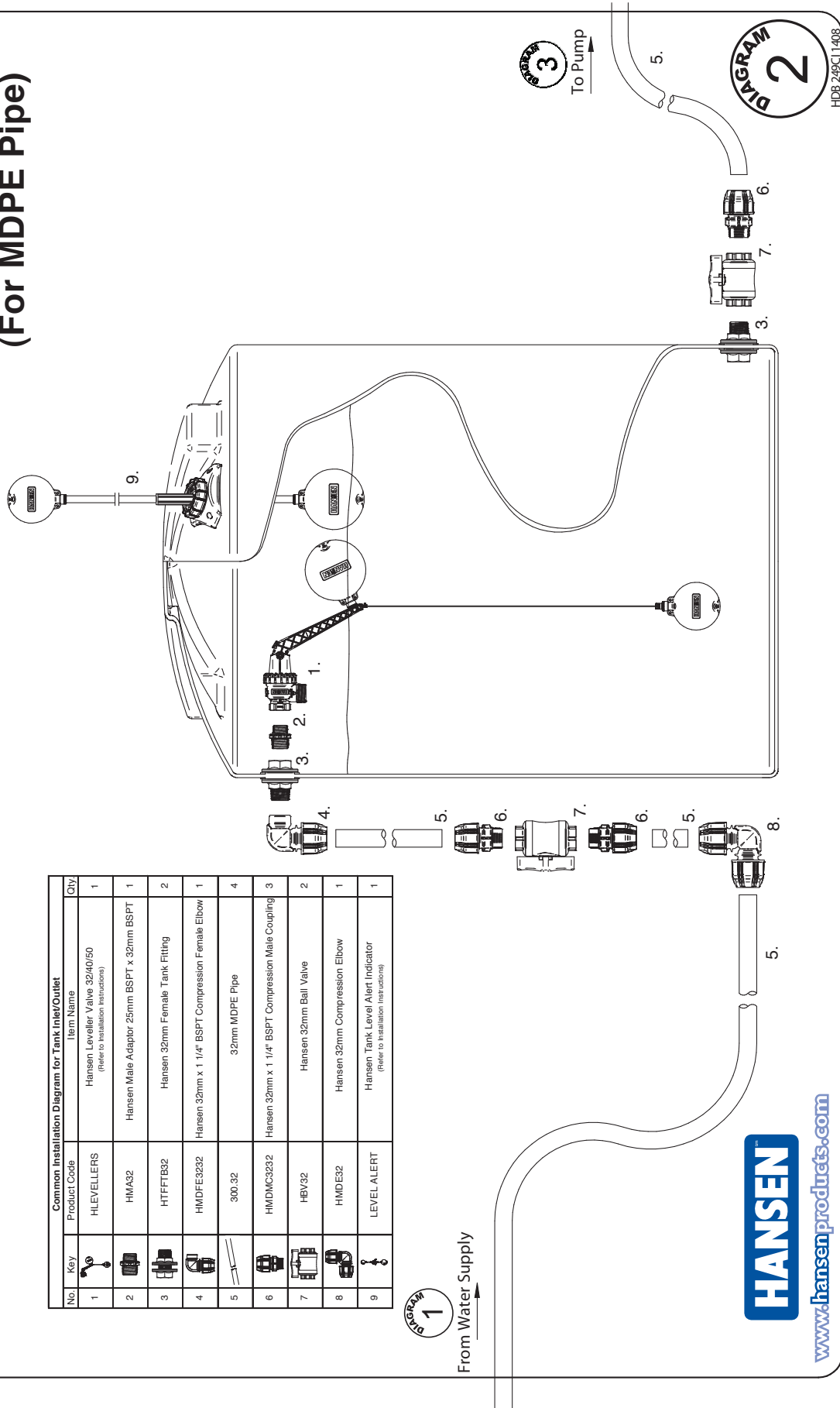
# Common Installation Diagram for Pump (For MDPE Pipe)

Common Installation Diagram for Pump Item Name			Qty
No.	Key	Product Code	
1		300.32	1
2		HMDFC3232	1
3		HSN40	3
4		HTMFE40	1
5		HBU40	1
6		HBV40	1
7		HMDMC4040	4
8		CV40	1
9		300.40	2
10		HTE40	1
11		HMDFE340	1
12		300.63	1



## Common Installation Diagram for Tank Inlet/Outlet (For MDPE Pipe)

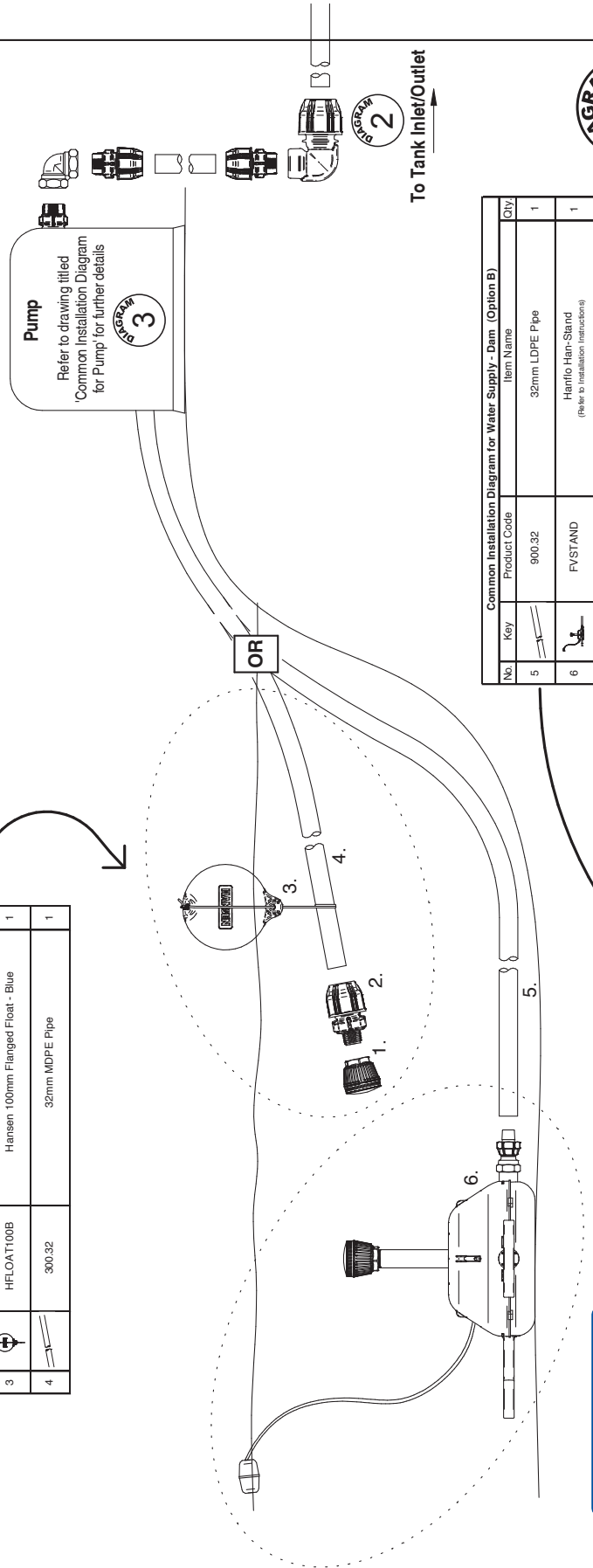
Common Installation Diagram for Tank Inlet/Outlet			
No.	Key	Item Name	Qty
1		Hansen Leveller Valve 32/40/50 <small>(Refer to Installation Instructions)</small>	1
2		Hansen Male Adaptor 25mm BSPT x 32mm BSPT	1
3		Hansen 32mm Female Tank Fitting	2
4		Hansen 32mm x 1 1/4 BSPT Compression Female Elbow	1
5		32mm MDPE Pipe	4
6		Hansen 32mm x 1 1/4 BSPT Compression Male Coupling	3
7		Hansen 32mm Ball Valve	2
8		Hansen 32mm Compression Elbow	1
9		Hansen Tank Level Alert Indicator <small>(Refer to Installation Instructions)</small>	1





# Common Installation Diagram for Water Supply - Dam (For MDPE Pipe)

Common Installation Diagram for Water Supply - Dam (Option A)			
No.	Key	Product Code	Qty.
1		FV32	1
2		HMDMC3232	1
3		HFLOAT100B	1
4		300.32	1



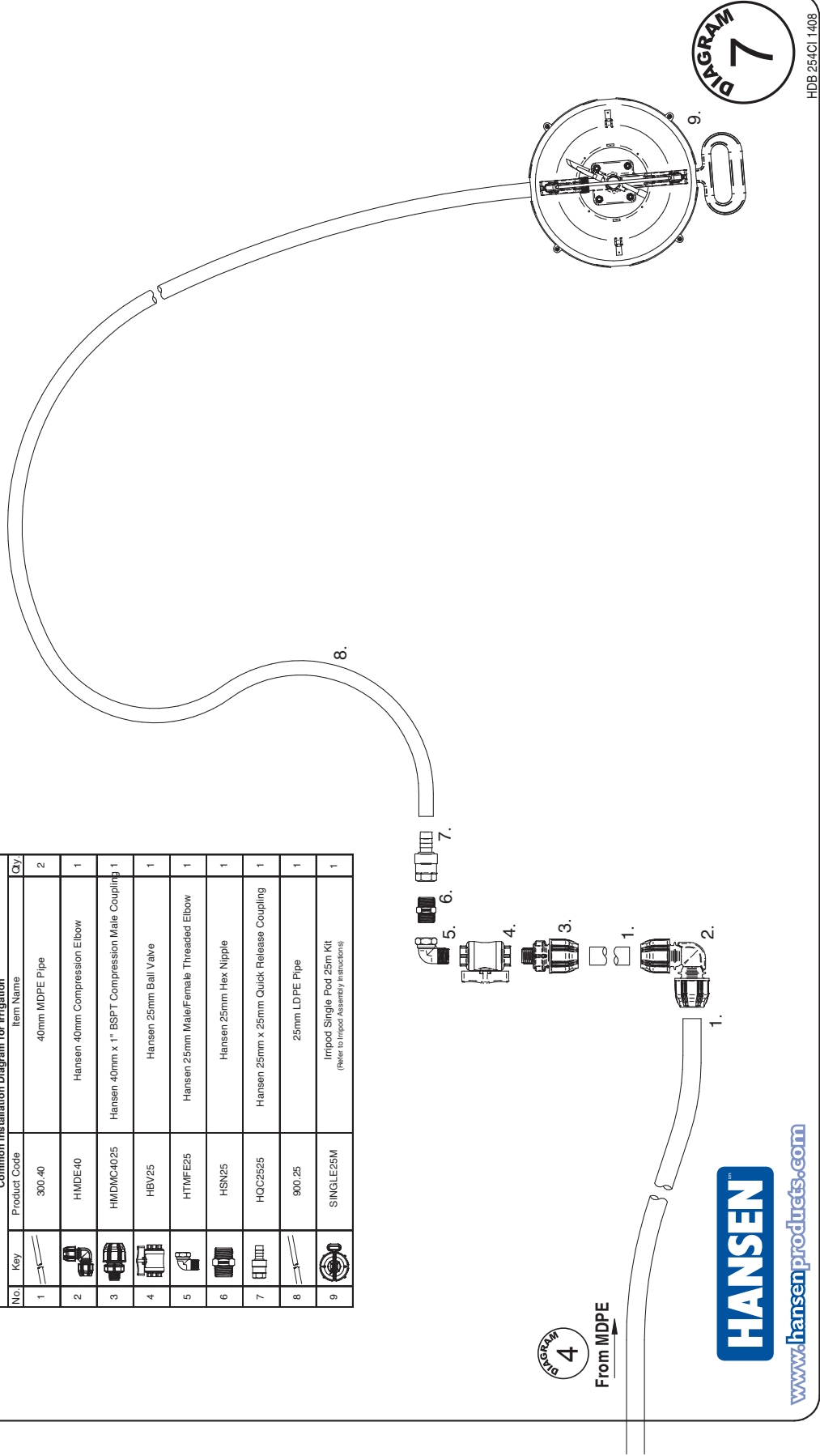
Common Installation Diagram for Water Supply - Dam (Option B)			
No.	Key	Product Code	Qty.
5		900.32	1
6		FVSTAND (Refer to Installation Instructions)	1

**DIAGRAM 1**

HDB-248C1 1408

## Common Installation Diagram for Irrigation (For MDPE Pipe)

No.	Key	Product Code	Item Name	Qty.
1		300-40	40mm MDPE Pipe	2
2		HMD40	Hansen 40mm Compression Elbow	1
3		HMDMC4025	Hansen 40mm x 1" BSPT Compression Male Coupling	1
4		HBV25	Hansen 25mm Ball Valve	1
5		HTMFE25	Hansen 25mm Male/Female Threaded Elbow	1
6		HSN25	Hansen 25mm Hex Nipple	1
7		HOC2525	Hansen 25mm x 25mm Quick Release Coupling	1
8		800-25	25mm LDPE Pipe	1
9		SINGLE25M	Irripod Single Pod 25m Kit <small>(Refer to Irripod Assembly Instructions)</small>	1







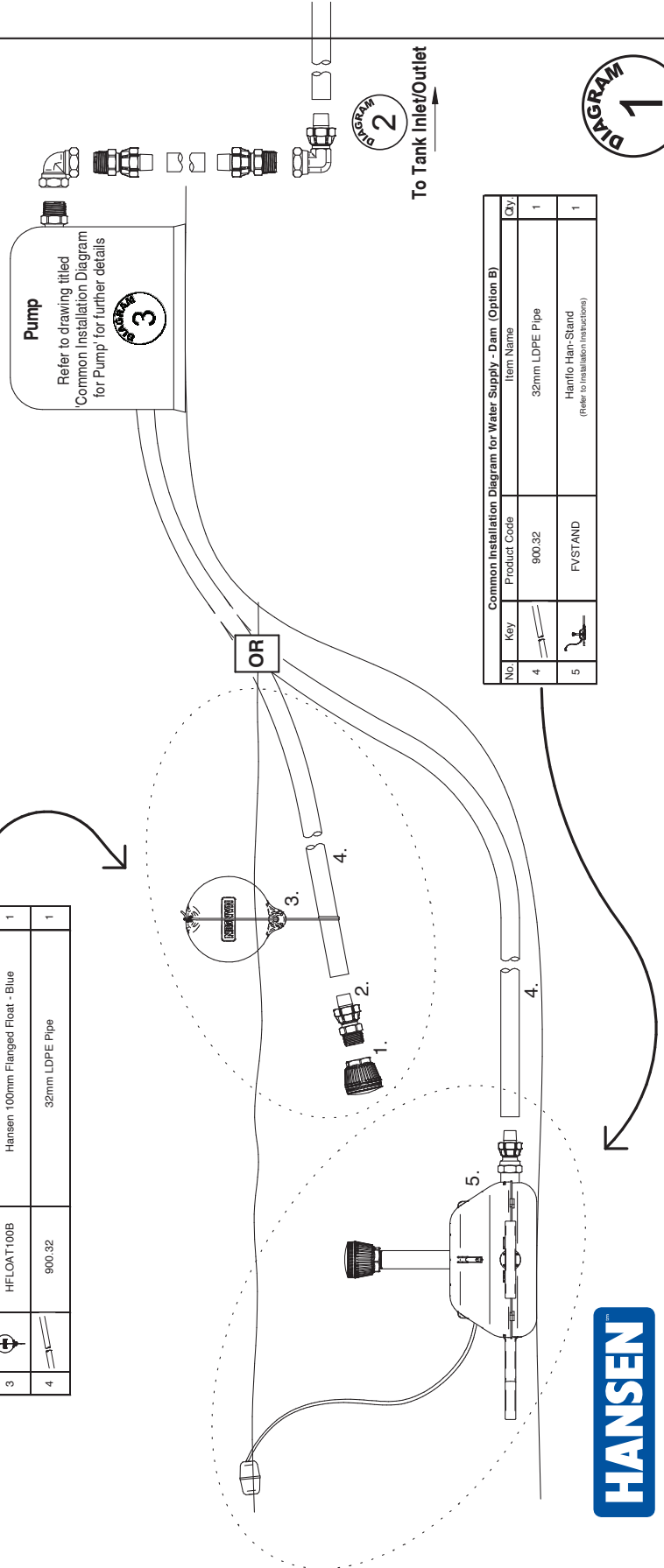
HDB 254(C) 1408





www.hansenproducts.com

# Common Installation Diagram for Water Supply - Dam (For LDPE Pipe)

Common Installation Diagram for Water Supply - Dam. (Option A)			
No.	Key	Product Code	Qty.
1		FV32	1
2		HMS32	1
3		HFLOAT100B	1
4		900.32	1



Common Installation Diagram for Water Supply - Dam. (Option B)			
No.	Key	Product Code	Qty.
4		900.32	1
5		FVSTAND	1

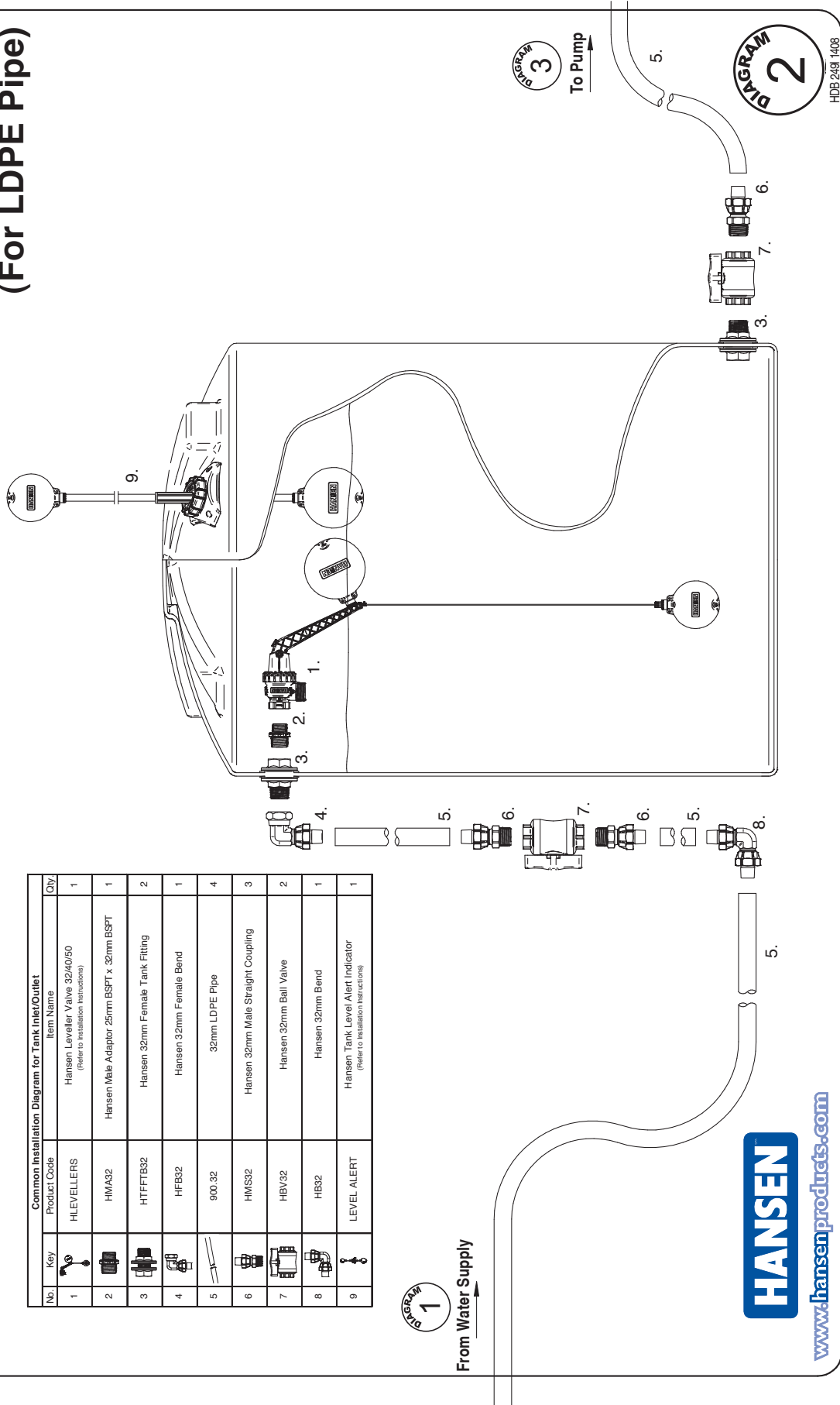


www.hansenproducts.com

HDB 2481 1408

## Common Installation Diagram for Tank Inlet/Outlet (For LDPE Pipe)

No.	Key	Product Code	Item Name	Qty
1		HLEV050	Hansen Leveller Valve 32/40/50 (Refer to Installation Instructions)	1
2		HMA32	Hansen Male Adaptor 25mm BSPT x 32mm BSPT	1
3		HTFFTB32	Hansen 32mm Female Tank Fitting	2
4		HFB32	Hansen 32mm Female Bend	1
5		900.32	32mm LDPE Pipe	4
6		HMS32	Hansen 32mm Male Straight Coupling	3
7		HBV32	Hansen 32mm Ball Valve	2
8		HB32	Hansen 32mm Bend	1
9		LEVEL ALERT	Hansen Tank Level Alert Indicator (Refer to Installation Instructions)	1

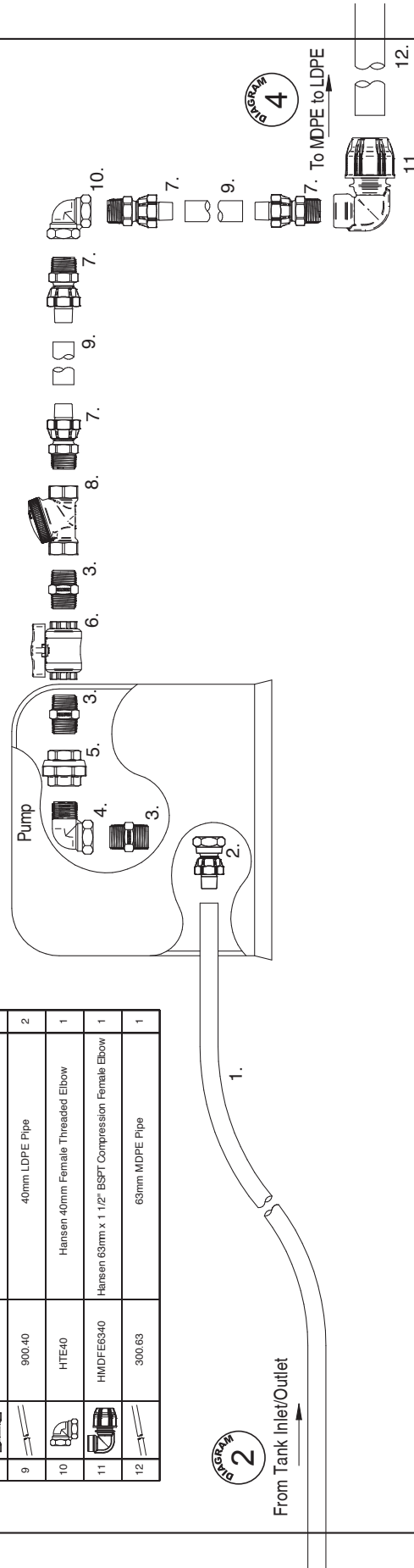


www.hansenproducts.com

HDB 2/81 1408

# Common Installation Diagram for Pump (For LDPE Pipe)

Common Installation Diagram for Pump			
No.	Key	Product Code	Item Name
1		900-32	32mm LDPE Pipe
2		HFS32	Hansen 32mm Female Straight Coupling
3		HSN40	Hansen 40mm Hex Nipple
4		HTWFE40	Hansen 40mm Male/Female Threaded Elbow
5		HBU40	Hansen 40mm Barrel Union
6		HBV40	Hansen 40mm Ball Valve
7		HMS40	Hansen 40mm Male Straight Coupling
8		CV40	Hansen 40mm Check Valve
9		900-40	40mm LDPE Pipe
10		HTE40	Hansen 40mm Female Threaded Elbow
11		HMDPE6340	Hansen 63mm x 1 1/2" BSPT Compression Female Elbow
12		300-63	63mm MDPE Pipe



From Tank Inlet/Outlet



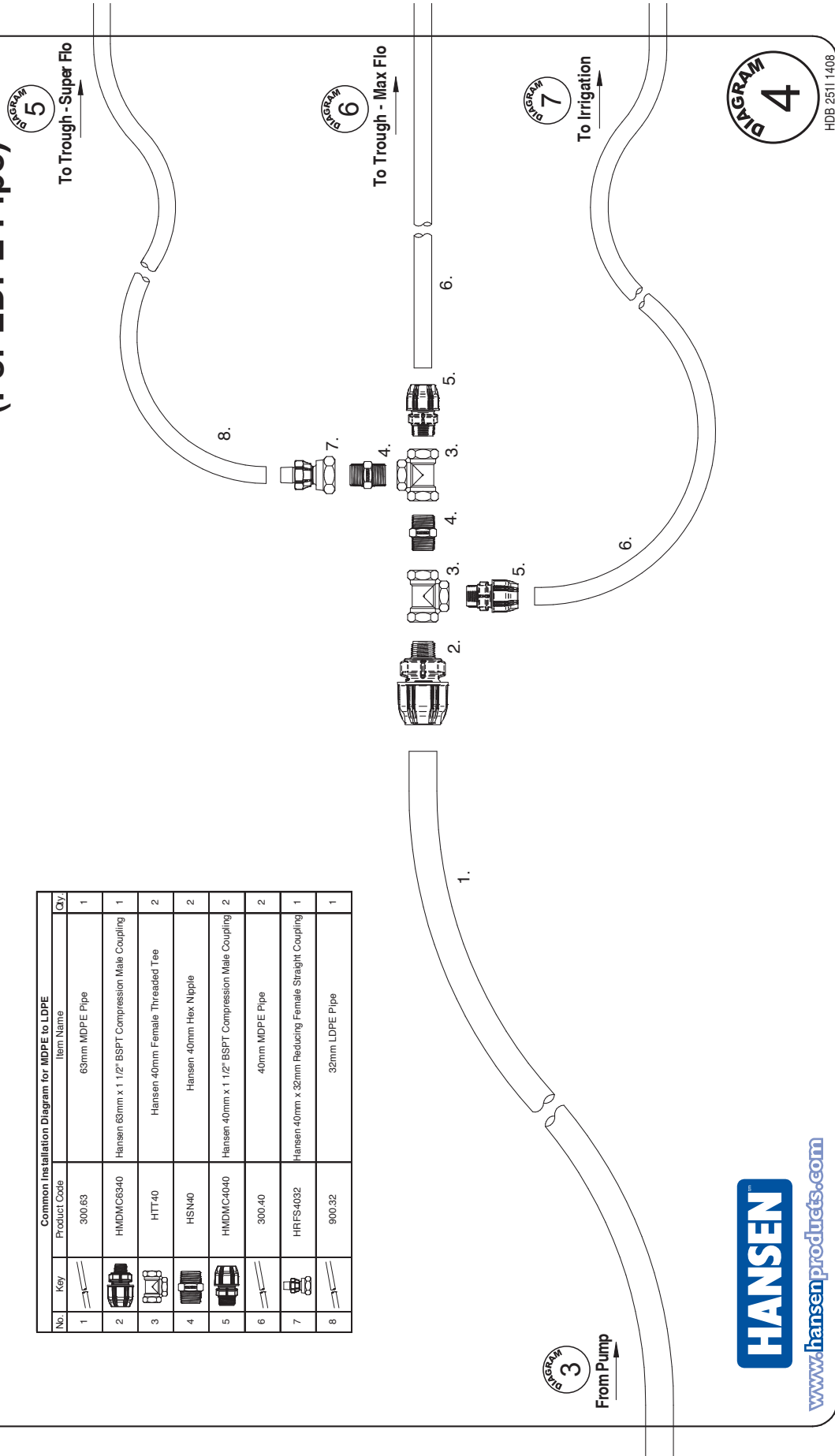
To MDPE to LDPE



HDB 2501 1408

## Common Installation Diagram for MDPE to LDPE (For LDPE Pipe)

Common Installation Diagram for MDPE to LDPE				
No.	Key	Product Code	Item Name	Qty.
1		300.63	63mm MDPE Pipe	1
2		HMDMC6940	Hansen 63mm x 1 1/2" BSPT Compression Male Coupling	1
3		HTT40	Hansen 40mm Female Threaded Tee	2
4		HSN40	Hansen 40mm Hex Nipple	2
5		HMDMC4040	Hansen 40mm x 1 1/2" BSPT Compression Male Coupling	2
6		300.40	40mm LDPE Pipe	2
7		HRFS4032	Hansen 40mm x 32mm Reducing Female Straight Coupling	1
8		900.32	32mm LDPE Pipe	1



**HANSEN™**

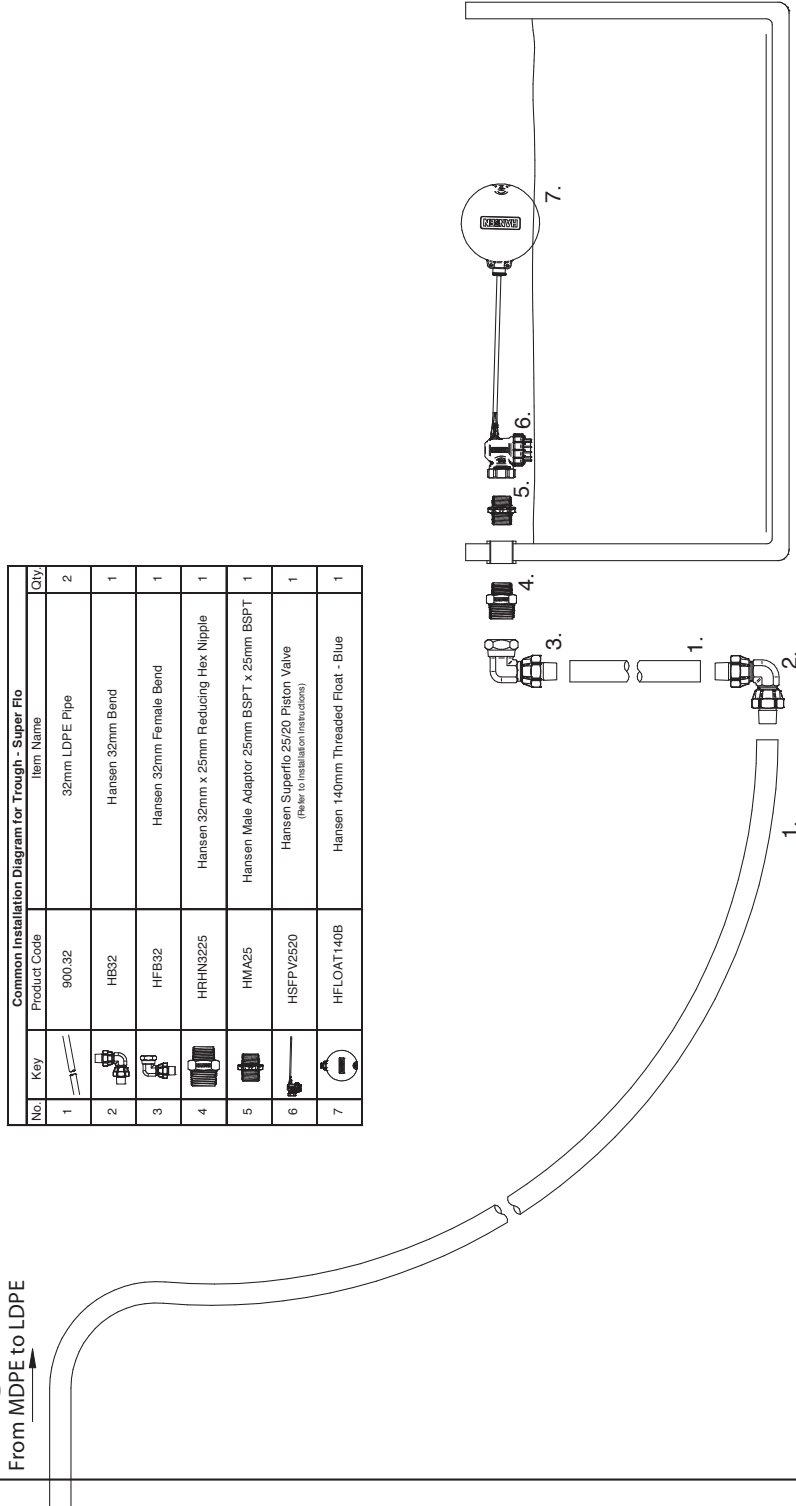
www.hansenproducts.com

HDB 2511 1408

# Common Installation Diagram for Trough - Super Flo (For LDPE Pipe)

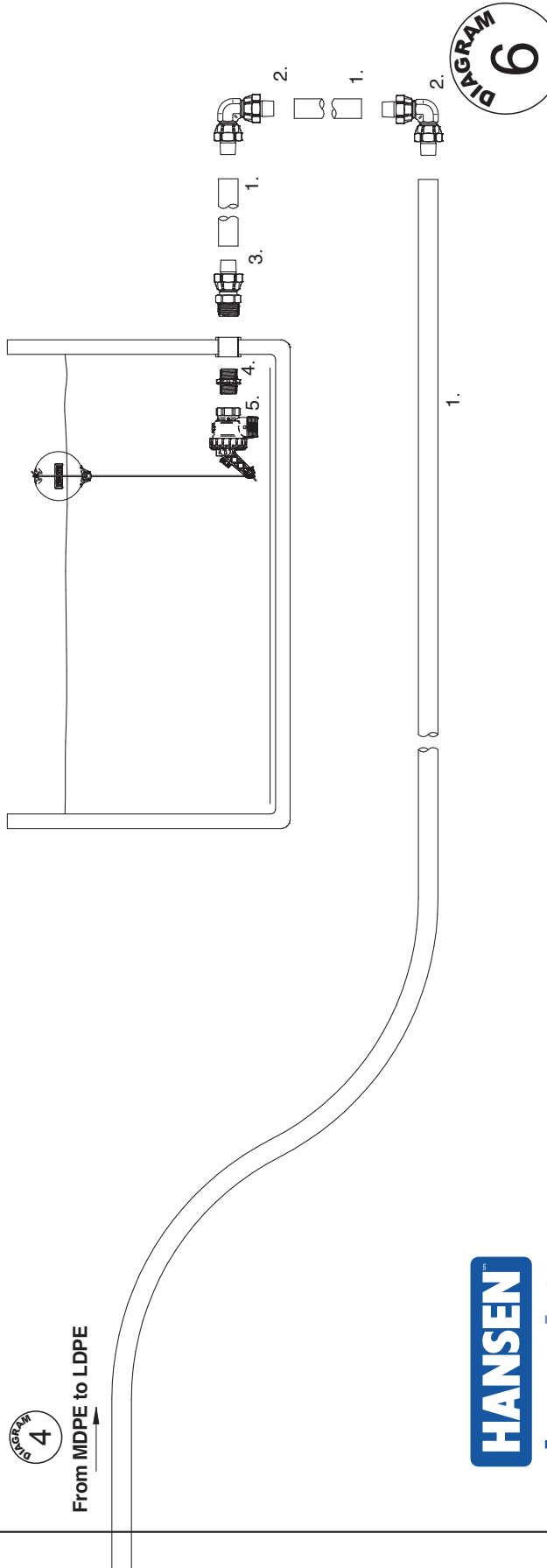
4  
 FROM LDPE TO MDPE

Common Installation Diagram for Trough - Super Flo				
No.	Key	Product Code	Item Name	Qty.
1		900.32	32mm LDPE Pipe	2
2		HB32	Hansen 32mm Bend	1
3		HFB32	Hansen 32mm Female Bend	1
4		HRHN3225	Hansen 32mm x 25mm Reducing Hex Nipple	1
5		HMA25	Hansen Male Adaptor 25mm BSPT x 25mm BSPT	1
6		HSPFV2520	Hansen Superflo 25/20 Piston Valve (Refer to installation instructions)	1
7		HFLOAT140B	Hansen 140mm Threaded Float - Blue	1



## Common Installation Diagram for Trough - Max Flo (For LDPE Pipe)

Common Installation Diagram for Trough - Max Flo				
No.	Key	Product Code	Item Name	Qty.
1		900.32	32mm LDPE Pipe	3
2		HB32	Hansen 32mm Blend	2
3		HMS32	Hansen 32mm Male Straight Coupling	1
4		HMA25	Hansen Male Adaptor 25mm BSPT x 25mm BSPT	1
5		HMFV/2520	Hansen Maxflo 25/20 Diaphragm Valve <small>(Refer to Installation Instructions)</small>	1



HDB 287.1411



# Common Installation Diagram for Irrigation (For LDPE Pipe)

Common Installation Diagram for Irrigation				
No.	Key	Product Code	Item Name	Qty.
1		300.40	40mm MDPE Pipe	2
2		HMDIE40	Hansen 40mm Compression Elbow	1
3		HMDMC1025	Hansen 40mm x 1" BSP Compression Male Coupling	1
4		HBV25	Hansen 25mm Ball Valve	1
5		HTMFE25	Hansen 25mm Male/Female Threaded Elbow	1
6		HSN25	Hansen 25mm Hex Nipple	1
7		HOC2E25	Hansen 25mm x 25mm Quick Release Coupling	1
8		900.25	25mm LDPE Pipe	1
9		SINGLE25M	Irripod Single Pod 25m Kit <small>(Refer to Irripod Assembly Instructions)</small>	1

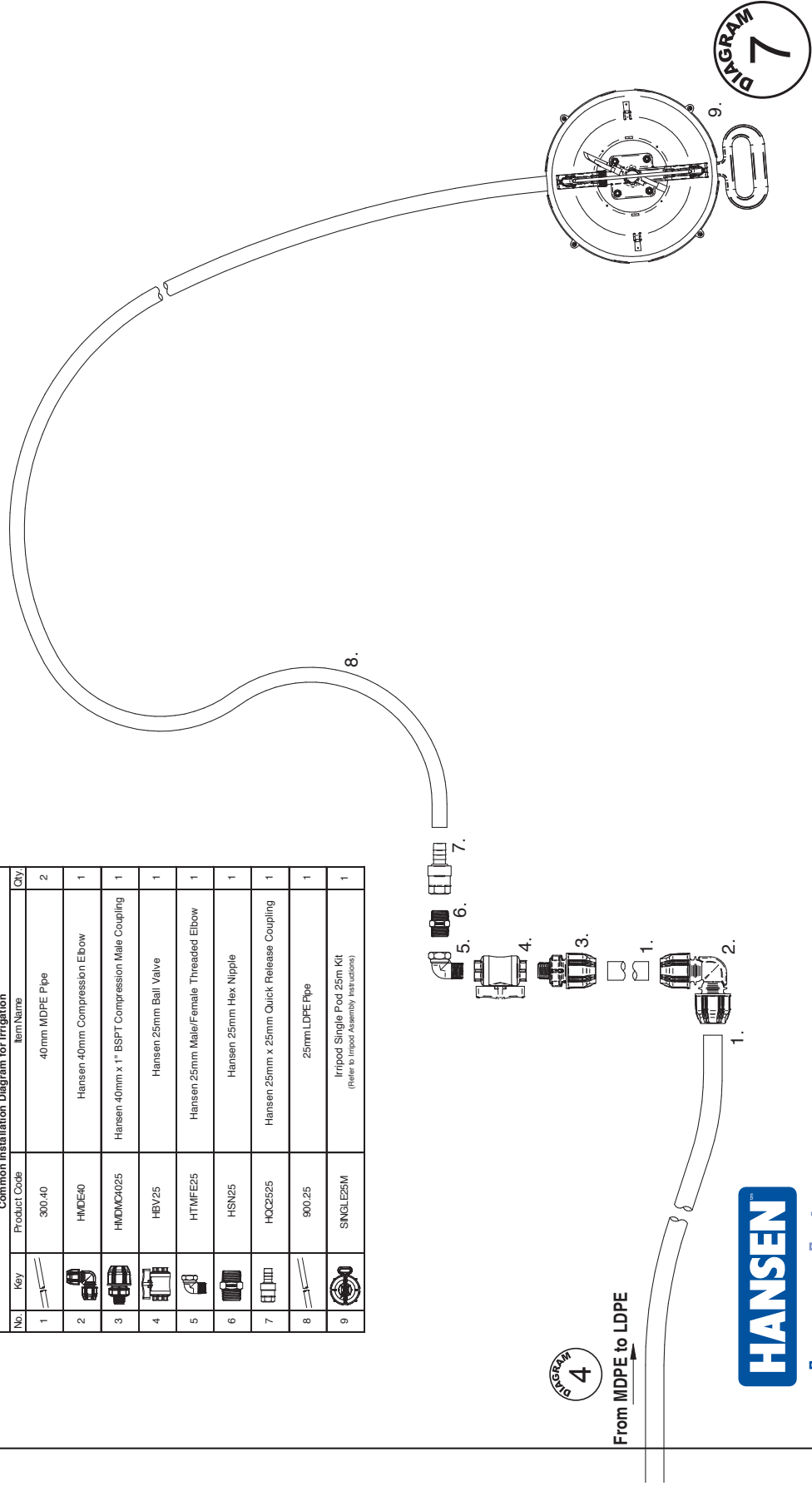


DIAGRAM 4

From MDPE to LDPE

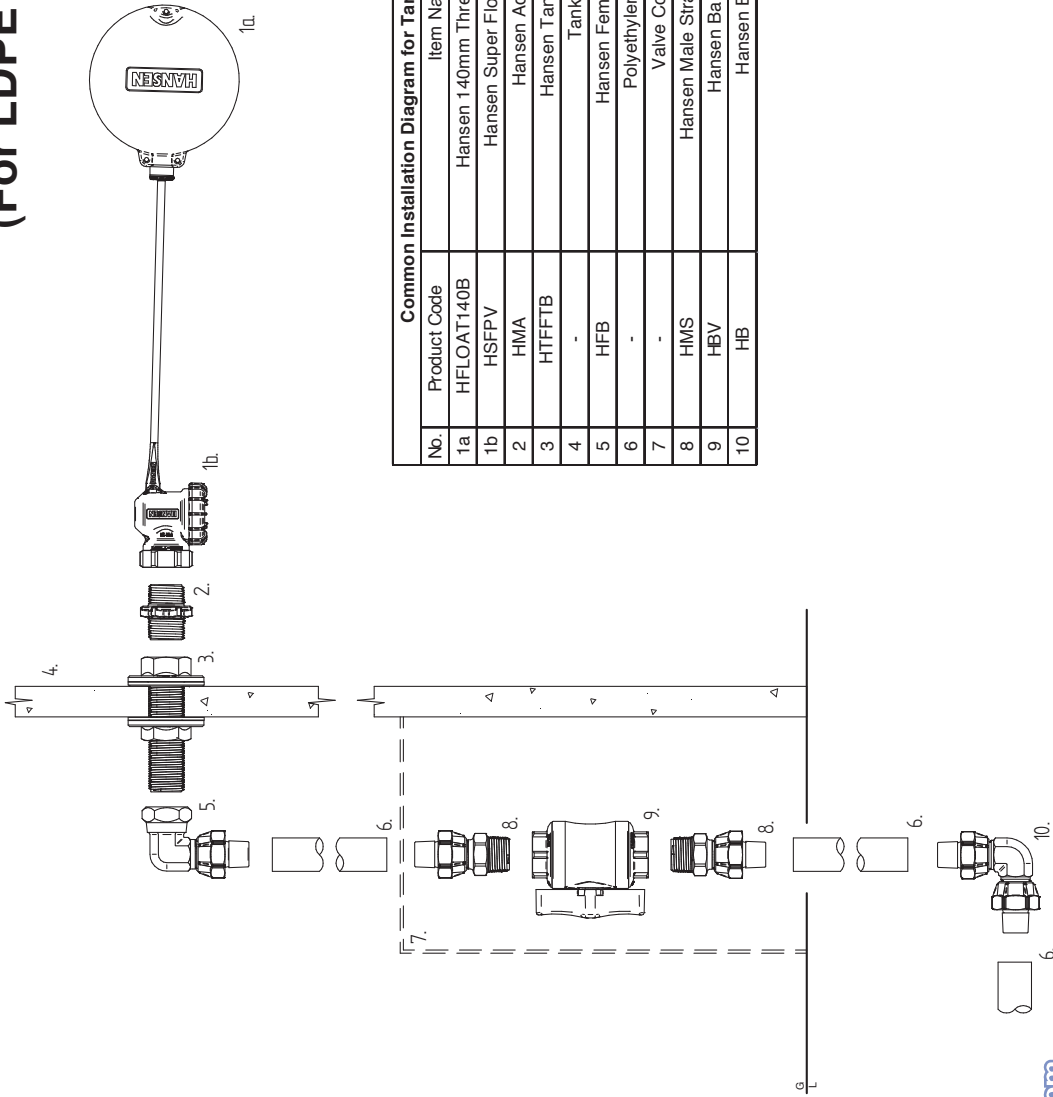
**HANSEN**<sup>tm</sup>

www.hansenproducts.com

DIAGRAM 7

HDB 2541.1408

## Common Installation Diagram for Tank Inlet (For LDPE Pipe)



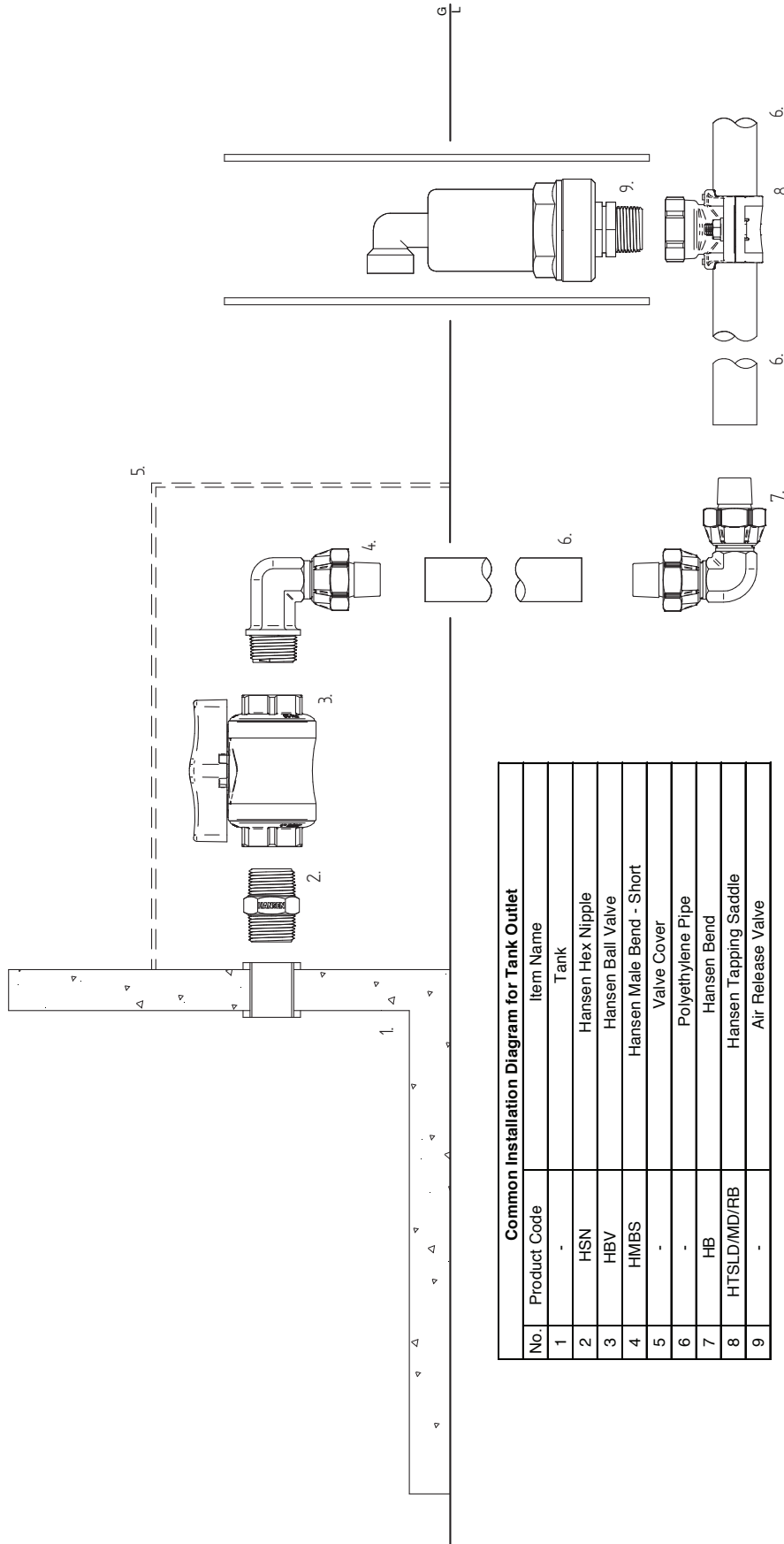
Common Installation Diagram for Tank Inlet		
No.	Product Code	Item Name
1a	HFLOAT140B	Hansen 140mm Threaded Float - Blue
1b	HSPFPV	Hansen Super Flo Trough Valve
2	HMA	Hansen Adaptor
3	HTFFTB	Hansen Tank Fitting
4	-	Tank
5	HFB	Hansen Female Bend
6	-	Polyethylene Pipe
7	-	Valve Cover
8	HMS	Hansen Male Straight Coupling
9	HBV	Hansen Ball Valve
10	HB	Hansen Bend

HDB 1021 1407



www.hansenproducts.com

# Common Installation Diagram for Tank Outlet (For LDPE Pipe)

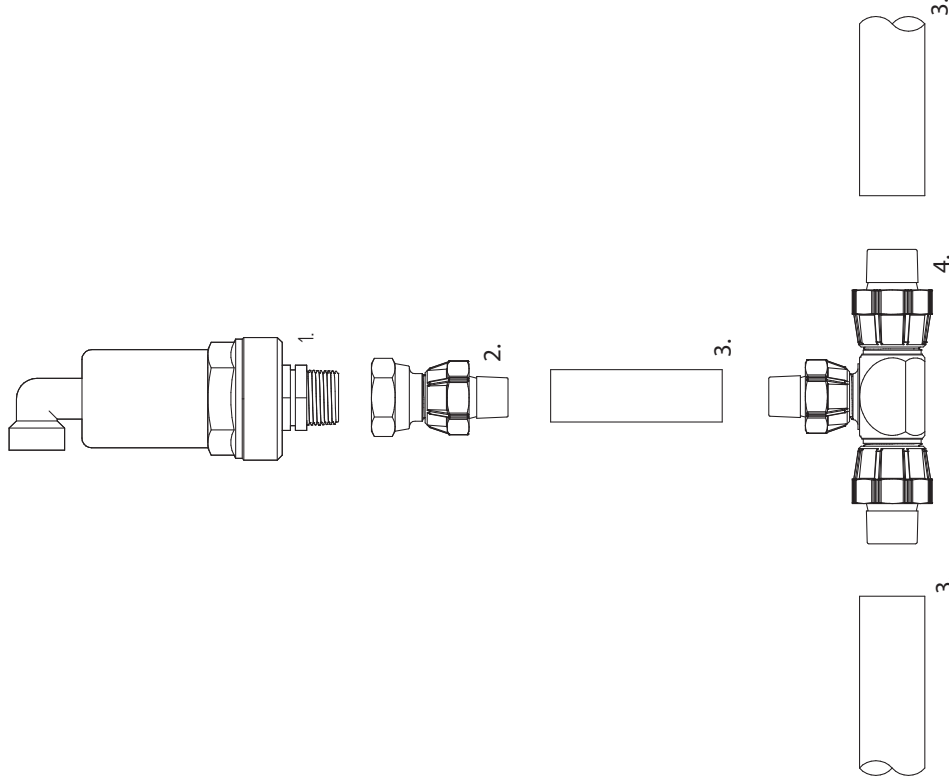


HDB 0971 1407



www.hansenproducts.com

## Common Installation Diagram for Air Release Valve (For LDPE Pipe)



Common Installation Diagram for Air Release Valve	
No.	Item Name
1	Air Release Valve
2	Hansen Female Straight Coupling
3	Polyethylene Pipe
4	Hansen Reducing Tee Connector

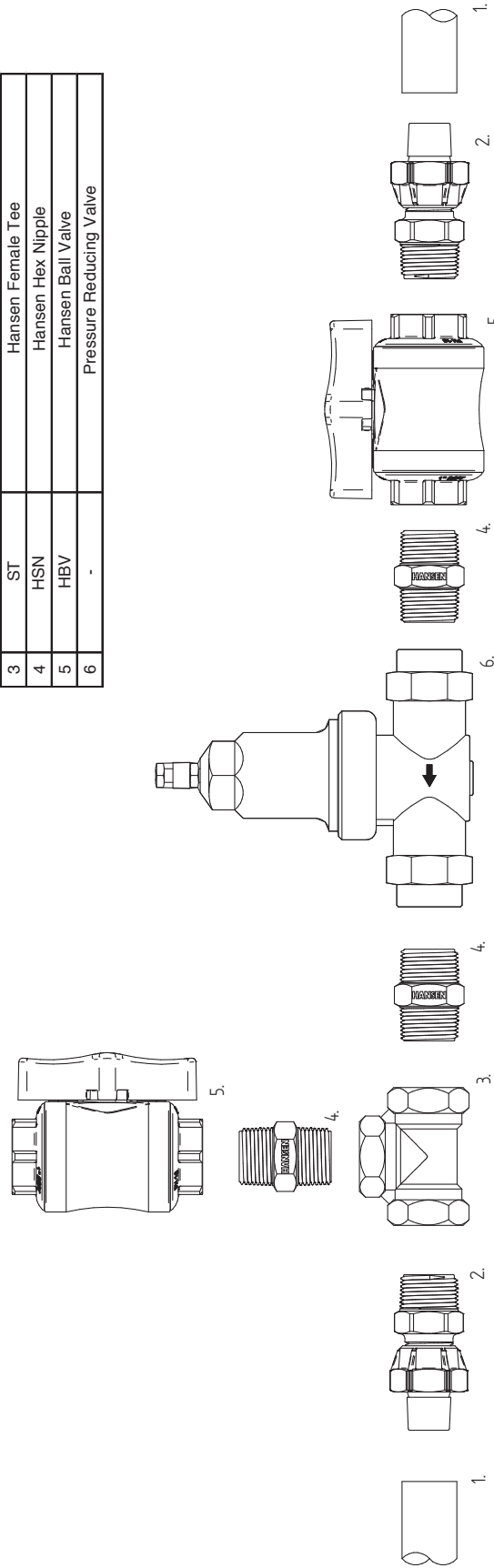


www.hansenproducts.com

HDB 0951 1407

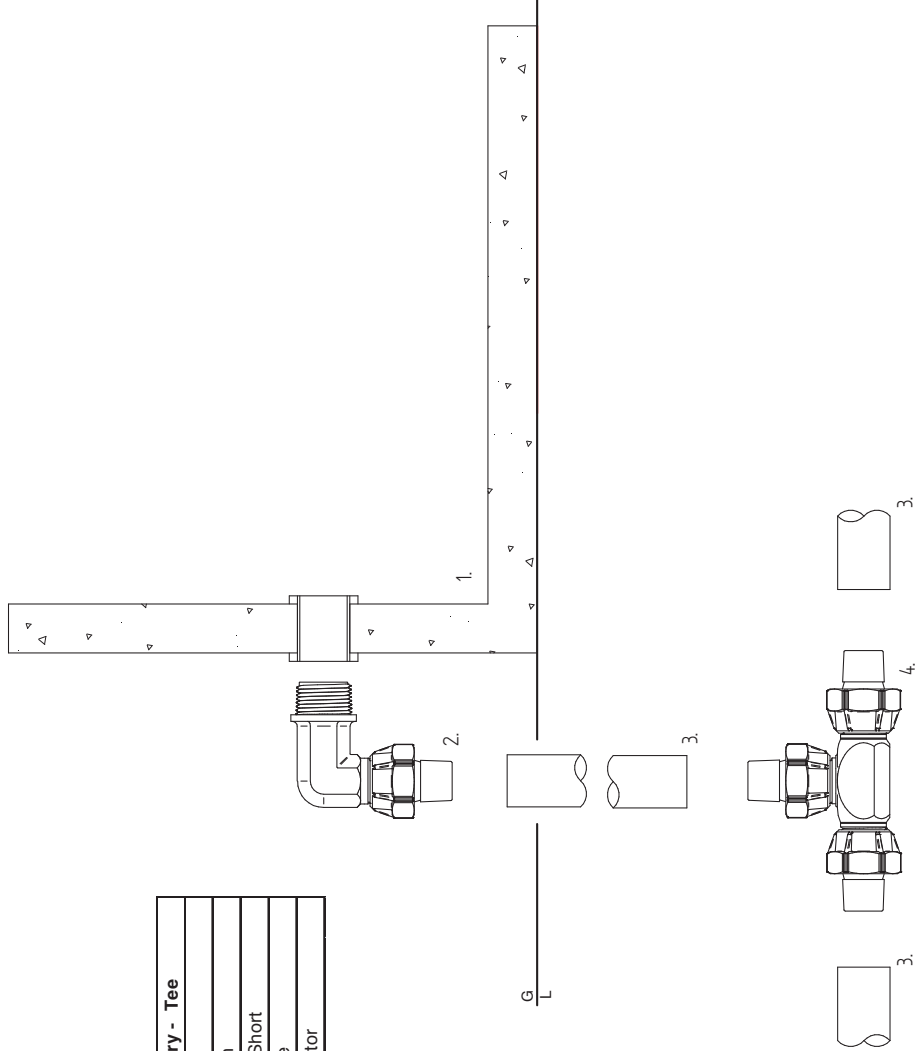
# Common Installation Diagram for Pressure Reducing Valve Reducing Valve (For LDPE Pipe)

Common Installation Diagram for Pressure Reducing Valve	
No.	Item Name
1	Polyethylene Pipe
2	Hansen Male Straight Coupling
3	Hansen Female Tee
4	Hansen Hex Nipple
5	Hansen Ball Valve
6	Pressure Reducing Valve



## Common Installation Diagram for Trough Side Entry - Tee Entry - Tee (For LDPE Pipe)

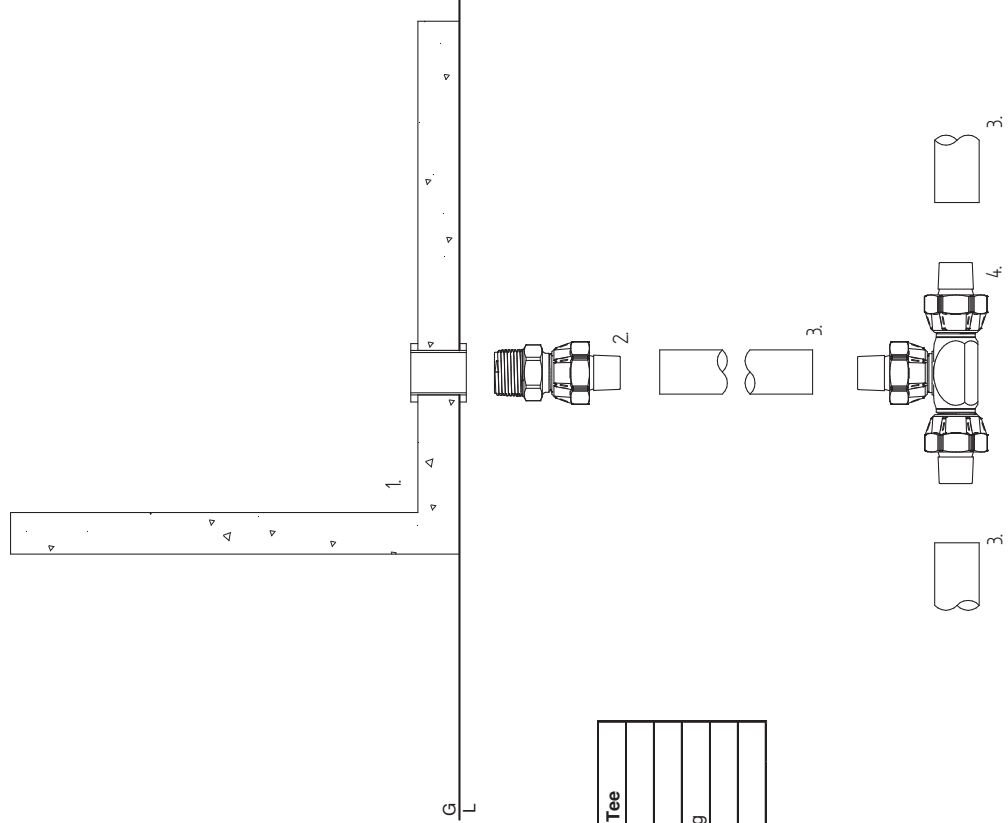
Common Installation Diagram for Trough Side Entry - Tee	
No.	Item Name
1	Side Entry Trough
2	Hansen Male Bend - Short
3	Polyethylene Pipe
4	Hansen Tee Connector



www.hansenproducts.com

HDB 1011 1407

# Common Installation Diagram for Trough Bottom Entry - Tee (For LDPE Pipe)



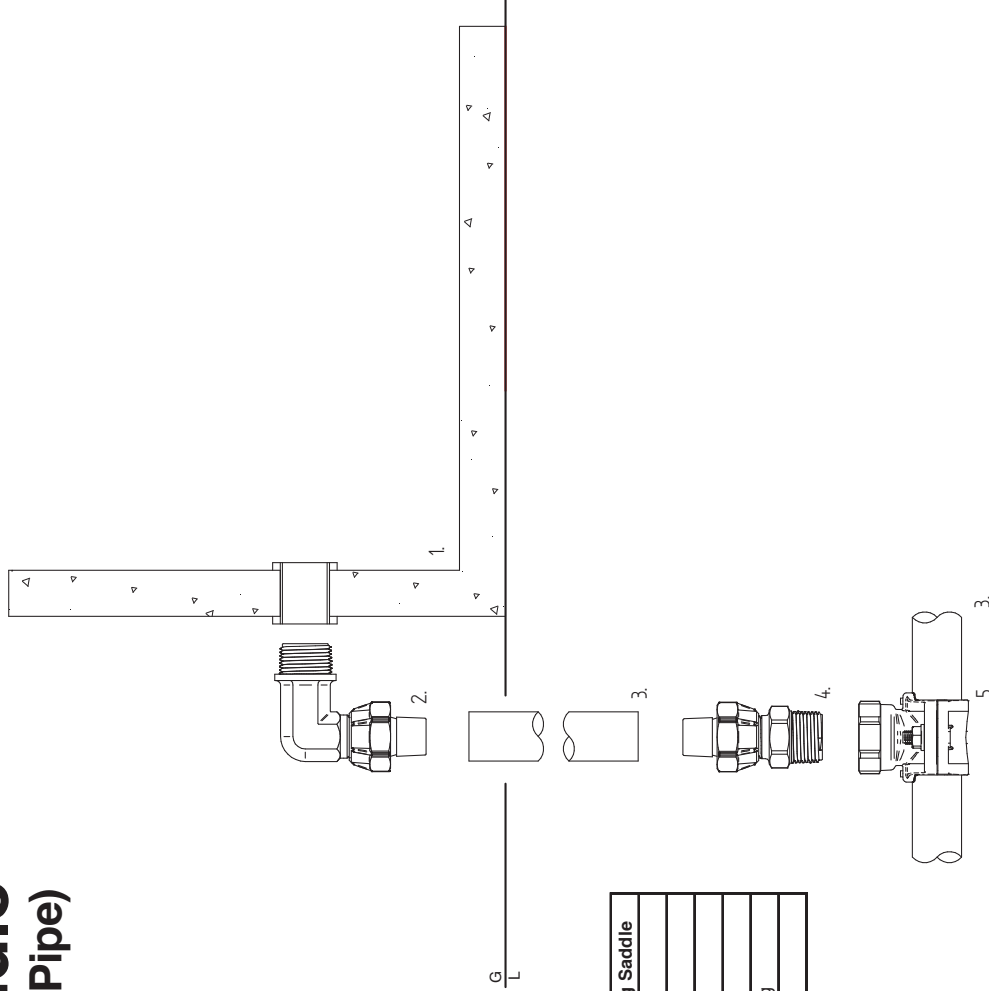
Common Installation Diagram for Trough Bottom Entry - Tee	
No.	Item Name
1	Bottom Entry Trough
2	Hansen Male Straight Coupling
3	Polyethylene Pipe
4	Hansen Tee Connector



www.hansenproducts.com

HDB 0091 1407

## Common Installation Diagram for Trough Side Entry - Tapping Saddle (For LDPE Pipe)



Common Installation Diagram for Trough Side Entry - Tapping Saddle	
No.	Item Name
1	Side Entry Trough
2	Hansen Male Bend - Short
3	Polyethylene Pipe
4	Hansen Male Straight Coupling
5	Hansen Tapping Saddle

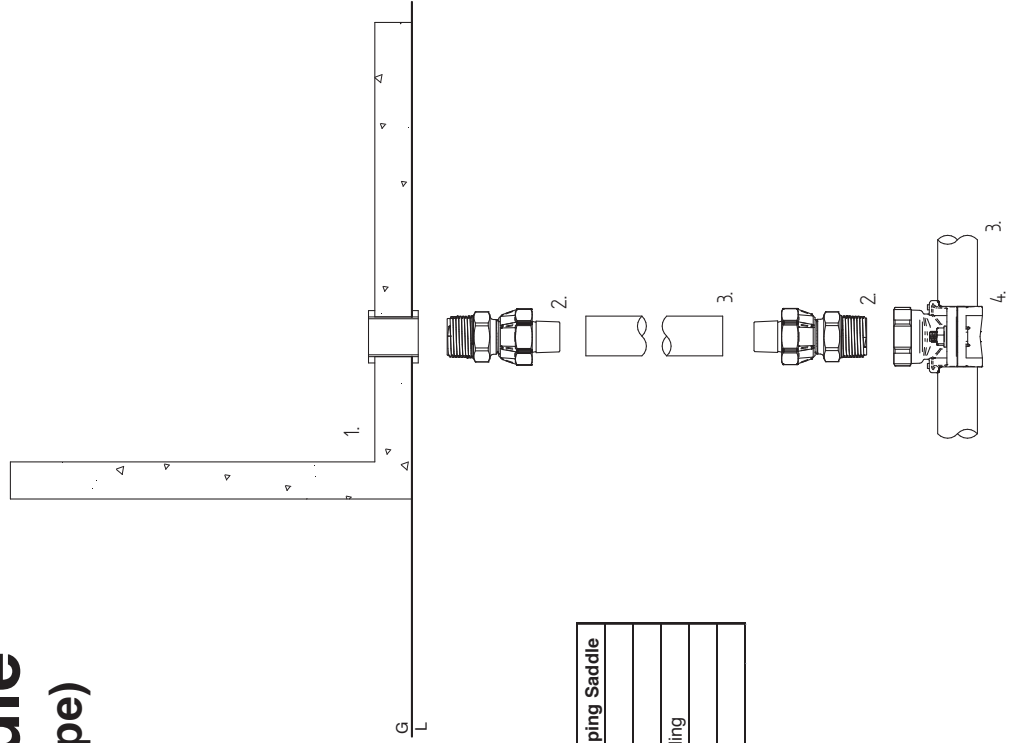


www.hansenproducts.com

HDB 100.1407



# Common Installation Diagram for Trough Bottom Entry - Tapping Saddle (For LDPE Pipe)



Common Installation Diagram for Trough Bottom Entry - Tapping Saddle		
No.	Product Code	Item Name
1	-	Bottom Entry Trough
2	HMS	Hansen Male Straight Coupling
3	-	Polyethylene Pipe
4	HTSLD/MD/RB	Hansen Tapping Saddle



www.hansenproducts.com

HDB 0981 1407



# Info Sheets



*Best Installed Value*



## Easy Fit Rural Compression Fittings

HD8328 2209

**POTABLE WATER APPROVED**  
 Materials approved for use with Potable (drinkable) Water  
**AS/NZS 4020:2018**



**MADE FROM HIGH QUALITY DURABLE MATERIALS**  
 Manufactured using Best Quality Materials to withstand the harshest weather conditions



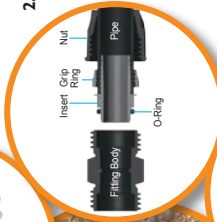
### EASY TO INSTALL

Reliable leak proof seals are the hallmark of any Hansen fitting and that's no exception when it comes to the Easy Fit Rural Compression range. The simple steps make installation a breeze

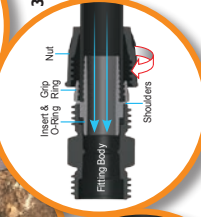
**1.** Cut the pipe with pipe cutters, knife or saw. Ensure the ends of the pipe are cut square. Clean burrs from pipe ends and keep the pipe ends clean and as free of scratches and imperfections as possible.



**2.** Unscrew the Nut and remove the Grip Ring and Insert/O-Ring from the fitting. Place the Nut and Grip Ring onto the pipe and tap the Insert fully into the pipe.



**3.** Push the Insert/O-Ring into the Fitting Body until the Shoulders bottom out. Slide the Grip Ring towards the fitting ensuring it is in contact with the Insert and firmly hand tighten the Nut.



**4.** Use a pair of Poly Grips for at least another half turn past hand tight for final tightening.



Hydraulic seal is created by fully seating the Insert/O-Ring in the fitting and sealing the pipe against the Insert barbs when the Nut is fully tightened. This also achieves the pull-out resistance of the pipe.

**HIGH QUALITY THREADS**  
 for dependable connections



**EASY GRIP NUTS**  
 Make fast work for tightening fitting onto pipe

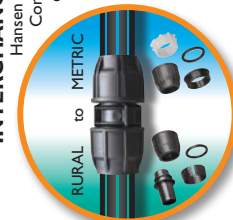


**PRESSURE RATING**  
 Pressure rated to suit Rural Class B Polyethylene Pipe



### INTERCHANGEABILITY

Hansen Easy Fit Rural & Compression fitting components are interchangeable, allowing you to change the pipe type at a single fitting



### EASY PIPE INSERTION

The tapered design of the insert makes it very easy to get it started into the pipe when installing



**RELIABLE INSERT/ O-RING & POSITIVE GRIP RING**  
 Proven combination for a reliable water tight seal



### LARGE RANGE

of over 80 fittings in sizes 3/4" to 2" provides more options & versatility in new and existing installations, saving time and money



## The Reliable Rural Pipe Connection

www.hansenproducts.com

**HANSEN™**

Easy Fit Rural Compression Fittings

## Easy Fit Compression Fittings

**POTABLE WATER APPROVED**  
Material Approved for use with Potable (drinkable) Water

**WRAS**  
AS/NZS 4020:2018  
AS/NZS 4129:2020

**WATERMARK APPROVED**  
WaterMark Certificate of Conformity - Level 1 Evaluated to AS/NZS 4129:2020 and AS/NZS 4020 - Fittings for polyethylene (PE) pipes or pressure applications Certification No: WMIKA21978

**NZ Council Approvals** For a full list see [www.hansenproducts.com/approvals.htm](http://www.hansenproducts.com/approvals.htm)



**MADE FROM HIGH QUALITY DURABLE MATERIALS**  
Manufactured using Best Quality Materials to withstand the harshest weather conditions

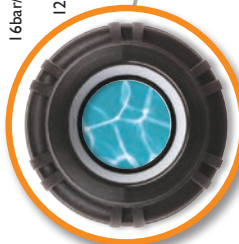


**HIGH QUALITY THREADS**  
for dependable high pressure connections

**EASY GRIP NUTS**  
Make fast work for tightening fitting onto pipe



**HIGH PRESSURE RATED**  
16bar/235psi for sizes 16mm to 63mm  
12.5bar/182psi for sizes 75mm to 110mm



**RELIABLE O-RING & POSITIVE GRIP RING**  
World proven combination for a reliable watertight seal.



**LARGE RANGE**

Over 250 fittings in sizes 16mm to 110mm provides more options & versatility in new and existing installations, saving time and money



**HANSEN<sup>SM</sup>**

Easy Fit Compression Fittings

The Reliable and World Proven Pipe Connection

[www.hansenproducts.com](http://www.hansenproducts.com)

**EASY TO INSTALL**

Reliable leak proof seals are the hallmark of any Hansen fitting and that's no exception when it comes to the Easy Fit Compression range. The simple steps make installation a breeze

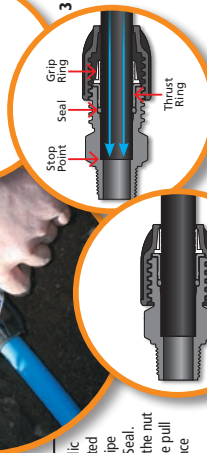
**1. Cut and chamfer the pipe with pipe cutters, knife or saw. Ensure a square cut of pipe ends. Clean burrs from pipe ends. Keep the pipe end clean and as free of scratches and imperfections as possible.**



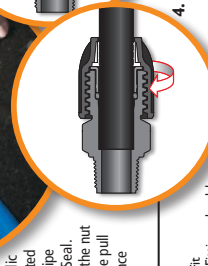
**2. Undo the nut to the last thread, do not remove nut from the body.**



**3. Insert the pipe into the fitting through the Nut, White Grip Ring & Thrust Ring until it meets resistance at the Seal. Give the pipe a firm push past the Seal all the way until it hits the final stop point.**



**4. Firmly hand tighten the nut. Use a pair of poly grips for a further half turn past hand tight for final tightening on 40mm fittings and greater.**



The hydraulic seal is created when the pipe passes the seal. Tightening the nut is to achieve pull out resistance of the pipe.

Hansen Easy Fit Compression Fittings should be installed onto Medium Density polyethylene (MDPE) pipe that has been installed in accordance with the following standards:  
• AS/NZS 2968 Part 1 and Supplement "Buried Flexible Pipelines - Structural Design"  
• AS/NZS 2864 Part 1 "Installation of Polyethylene Pipe Systems"  
• AS/NZS 2033 "Installation of Polyethylene Pipe Systems"  
For more information on best practice installations please contact info@hansenproducts.com. Failure to complete installation in accordance with the above standards, may void any warranties given by Hansen Products (NZ) Limited in respect to the fitting.

\*16mm fittings not available in New Zealand

HD21612210

## Easy Fit Poly Fittings

HDB154 2210

**AS/NZS 4020**  
**POTABLE WATER**  
**APPROVED**

Material Approved for use with Potable (drinkable) Water



**MADE FROM HIGH QUALITY DURABLE MATERIALS**

Manufactured from UV Stabilised High Quality Glass Fibre Reinforced Nylon giving a weather, termite, fungi and bacterial resistance



**ONE PIECE FITTING**

No parts to lose, rust or corrode.

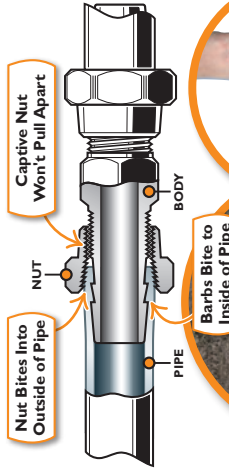


**TIME TESTED AND TRUSTED FOR OVER 40 YEARS**



**HIGH FLOW RATE**

Fittings demonstrate excellent hydraulic flow characteristics



**SUPERIOR GRIP AND FAST & EASY TO INSTALL**

The superior double strength grip of the Hansen nut & barbs makes a fitting connection that when fitted correctly, won't blow off the pipe. No specialist site equipment or skilled labour required. Push the pipe onto the fitting and wind on the nut. No O-Ring. No Crimping, No Solvent. No Cement. A simple, reliable one piece connection.



3. Tighten Nut



2. Push onto Fitting



1. Cut Pipe



**LARGE RANGE**

Over 126 fittings in sizes 15mm to 50mm (1/2" to 2") provides more options & versatility in new and existing installations, saving time and money

## The Reliable and World Proven Pipe Connection

www.hansenproducts.com

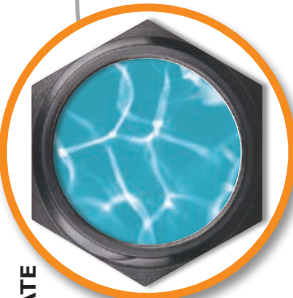
**HANSEN™**

Easy Fit Poly Fittings

## True Fit Threaded Fittings

### HIGH FLOW RATE

Fittings demonstrate excellent hydraulic flow characteristics



AS/NZS 4020  
**WRAS**

**POTABLE WATER APPROVED**  
 Material Approved for use with Potable (drinkable) Water

**MAXIMUM WORKING PRESSURE**  
 Sizes 15 - 50mm (1/2" to 2") 16 Bar (232 psi) @ 20°C  
 Sizes 80 - 100mm (3" - 4") 10 Bar (145 psi) @ 20°C

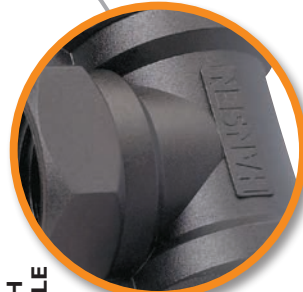


### PRECISION HEAVY DUTY TAPERED THREADS

Gives a Strong Reliable Seal. Material is strong enough to minimise potential cross threading.

### MADE FROM HIGH QUALITY DURABLE MATERIALS

Manufactured from UV Stabilised High Quality Glass Fibre Reinforced Nylon giving a weather, termite, fungi and bacterial resistance



### FAST AND EASY TO INSTALL

No specialist skill required. Apply threaded sealant or tape, screw on pipe, tighten.\*

1. Apply Thread Sealant or Thread Tape
2. Screw on pipe
3. Tighten

### LARGE RANGE

of over 180 Durable, High Strength, Commercial Quality True Fit Pipe Fittings available in sizes 6mm to 100mm (1/8" to 4")



\*We recommend Loctite 533 | thread sealant. All pipe work must be adequately supported.



## Reliable Commercial Quality Threaded Fittings

www.hansenproducts.com



*True Fit Tank Fittings*

HDB156 2210



**AS/NZS 4020 POTABLE WATER APPROVED**  
 Material Approved for use with Potable (drinkable) Water  
**WRAS**

**EASY TO INSTALL**

Installing a Hansen Tank Fitting is a simple, straight forward procedure. Below is an outline of the steps. See our website for full info including hole sizes and tips.



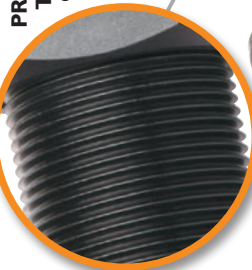
**1.** Drill a hole in the tank. Remove the nut and first 'firmer' washer from fitting and insert the fitting in hole.

**2.** On the other side of the tank, reinsert the washer and wind the nut back on

**3.** Tighten the nut so that the face of both washers make full contact with the tank wall for a water tight seal. Your done!

**4.** When adding additional fittings, use a thread sealing paste on thread tape.

**PRECISION HEAVY DUTY TAPERED THREADS**  
 Gives a Strong Reliable Seal. Material is strong enough to minimise potential cross threading.



**HIGH QUALITY DURABLE MATERIALS**  
 Manufactured from UV Stabilised High Quality Glass Fibre Reinforced Nylon giving a weather, termite, fungi and bacterial resistance



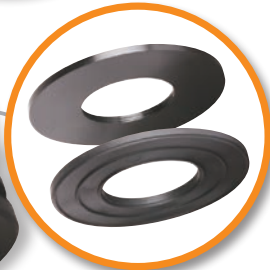
**MAXIMUM WORKING PRESSURE**

Female Tank Fittings:  
 Sizes 15 - 50mm (1/2" to 2") 16 Bar (232 psi) @ 20°C  
 Sizes 80 - 100mm (3" - 4") 10 Bar (145 psi) @ 20°C  
 Male Tank Fittings:  
 Sizes 15 - 50mm (1/2" to 2") 16 Bar (232 psi) @ 20°C



**DEDICATED LARGE TANK FITTINGS**  
 The Hansen 80 & 100mm (3" & 4") Female Tank Fittings have been especially designed for larger installations with a reverse threading backnut for a stronger more positive seal.

**QUALITY WASHERS FOR A POSITIVE SEAL**  
 High quality, durable Thermoplastic Elastomer Rubber & Low Density Polyethylene washers for a positive reliable seal.



**COMPREHENSIVE RANGE**  
 Female Tank Fittings available in sizes 15mm to 100mm (1/2" to 4"), Male Tank Fittings available in Black or White & sizes 15mm to 50mm (1/2" to 2"). Tank Plugs available in 50mm (2").



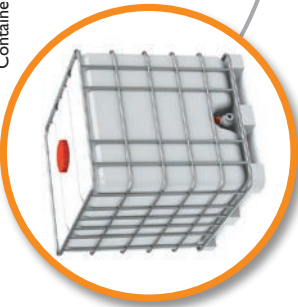
**Reliable Commercial Quality Tank Fittings**

www.hansenproducts.com

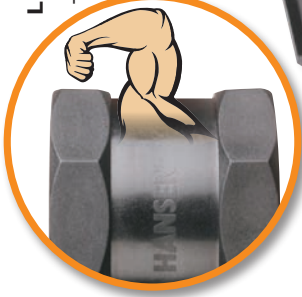


## True Fit Tank Fittings

**PURPOSE BUILT**  
 Designed specifically for use on IBC Tanks/Containers



**STRONG, LIGHT WEIGHT & COMPACT**  
 Time tested & trusted, fit for purpose fittings that carry the Hansen mark of quality

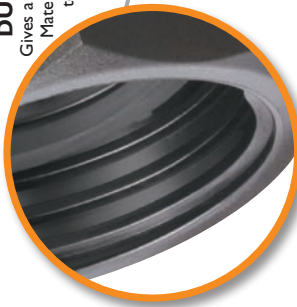


**EASY TO IDENTIFY**  
 Markings on the fittings help to quickly identify each fittings thread type

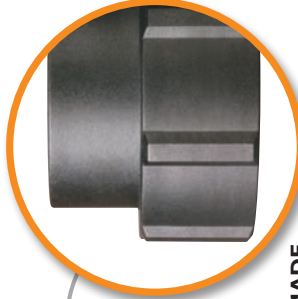


**NZ MADE**  
 Manufactured in Whangarei New Zealand

**PRECISION HEAVY DUTY THREADS**  
 Gives a Strong Reliable Seal. Material is strong enough to minimise potential cross threading



**MADE FROM HIGH QUALITY DURABLE MATERIALS**  
 Manufactured from UV Stabilised High Quality Glass Fibre Reinforced Nylon giving a weather, termite, fungi and bacterial resistance



**CONNECTION OPTIONS**  
 Fittings available in ACME or Buttress x BSPT



**PURPOSE BUILT SEALS**  
 Standard Adaptor Seal for general purpose and Fuel Adaptor Seal for use with fuels. Compatible with all Hansen IBC fittings



Buttress Thread IBC Tank Fitting

ACME Thread IBC Tank Fitting

**AVAILABLE SIZES (mm)**

ACME x BSPT	Buttress x BSPT
60x50	60x50
75x50	75x50
	100x80

1111 66280H

## Quality IBC Tank Fittings

www.hansenproducts.com



## Check Valves



**POTABLE WATER APPROVED**  
 Materials approved for use with Potable (drinkable) Water  
**AS/NZS 4020**



**INTERCHANGABLE PARTS**  
 Diaphragm and spring are interchangeable with the same size Hansen Foot Valve

**NO POPPET VALVE TO WEAR OR JAM**



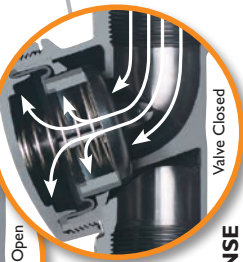
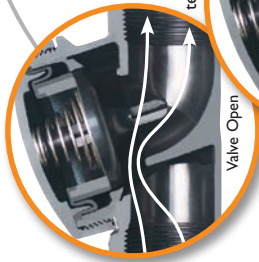
**EASY IN-LINE SERVICING**  
 Easy access Screw Cap provides in-line servicing for all moving parts.



**WORKS AT ANY ANGLE OR POSITION**  
 upside down, on its side or straight up and down.

**MAXIMUM WORKING PRESSURE**  
 10 Bar (145 psi) @ 20°C

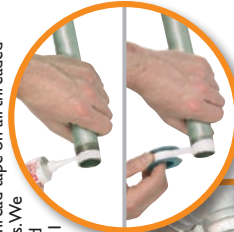
**EXCEPTIONAL FLOW**  
 Exceptional flow rate means shorter pumping times, reducing pumping costs & relieving long term system maintenance



**FAST RESPONSE**  
 Smooth Operating Valve for High Efficiency

Available in Sizes 25mm, 32mm, 40mm, 50mm, 63mm BSPT (1", 1 1/4", 1 1/2", 2", 2 1/2" BSPT)

**FAST AND EASY TO INSTALL**  
 A few simple steps and you're up and running with your new Hansen Check Valve!



System Flow Direction



1. Visit our website to help determine which sized Check Valve to use:  
<http://www.hansenproducts.com/products/valve/CV-flow.htm>

2. Determine the flow direction of your system, then install the Check Valve so that the arrows on the valve face the SAME DIRECTION the system will be flowing.

HDB162 2210



All Hansen Check Valves are rigorously hand tested.

**HIGH QUALITY MATERIALS**

- Manufactured from strong, non-corrosive UV stabilised materials for a long life.
- Body - High Quality Glass Fibre Reinforced Nylon
- Diaphragms - Durable Long Life Nitrile Rubber
- Spring - High Grade Stainless Steel

# High Performance, Cost Effective Check Valve



[www.hansenproducts.com](http://www.hansenproducts.com)

## Foot Valves

### WORKS AT ANY ANGLE OR POSITION

360°  
on its side or straight up and down.

### HIGH QUALITY MATERIALS

Manufactured from strong, non-corrosive UV stabilised materials for a long life.

- Body - High Quality Glass Fibre Reinforced Nylon
- Diaphragms - Durable Long Life Nitrile Rubber
- Spring - High Grade Stainless Steel

### INTERCHANGABLE PARTS

Diaphragm and spring are interchangeable with the same size Hansen Check Valve

### POTABLE WATER APPROVED

Materials approved for use with Potable (drinkable) Water

AS/NZS 4020

### MAXIMUM WORKING PRESSURE

16 Bar (232 psi) @ 20°C

### SELF CLEANING

The unique design provides self cleaning as part of the valve operation

### FAST AND EASY TO INSTALL

A few simple steps and you're up and running with your new Hansen Foot Valve!

### EASY IN-LINE SERVICING

Easy access Screw Cap provides in-line servicing for all moving parts.

### FOOT VALVE SOCK

An accessory that helps filter and stop particles entering the Valve. It also discourages the build up of some menacing forms of marine life.

### FAST RESPONSE

Smooth Operating Valve for High Efficiency

Available in Sizes 25mm, 32mm, 40mm, 50mm, 63mm BSPT (1", 1 1/4", 1 1/2", 2", 2 1/2" BSPT)

1. Visit our website to help determine which sized Foot Valve to use;  
[http://www.hansenproducts.com/products/valve/FV\\_flow.htm](http://www.hansenproducts.com/products/valve/FV_flow.htm)

2. Your Hansen Foot Valve comes ready to install. Connect it directly to end of a threaded pipe, or use a Hansen Male Straight or Reducing Straight Coupling to connect to your pipe. Use thread sealant or thread tape on all threaded connections.\*

3. Once installed, ensure the Foot Valve is raised up off the surface of the water bed to help prevent debris entering the valve causing damage to your pump.

\*We recommend Loctite 5331.

HDB161 2210

# High Performance, Cost Effective Foot Valve

## HANSEN<sup>SM</sup>

## Foot Valves

[www.hansenproducts.com](http://www.hansenproducts.com)



# HANSEN<sup>SM</sup>

Best Installed Value

Email: info@hansenproducts.com.au  
 Website: www.hansenproducts.com.au

INFO SHEETS

mini Fast-Flo

**ULTRA COMPACT!**

Ideal for very confined spaces the Hansen Mini Fast-Flo valve is well suited to trough/tank environments that demand a compact sized valve.

**MALE ADAPTORS**

O-Ring seal short and long adaptors available in 15-50mm (1/2" - 2"). Manufactured from High Quality Glass Fibre Reinforced Nylon for a weather, termite, fungi & bacteria resistance.



Short

Long

**REVERSIBLE SEAL**

Reversible seal effectively doubles the valves life.



**STRONG LONG LIFE SEAL**

Versatile, Tough, Double Sided Urethane Seal.



Store Packaging



Very Small Bowls

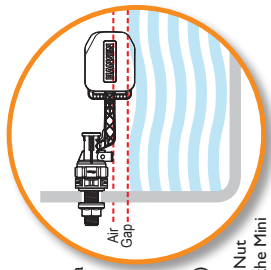
Compact Troughs

Header Tanks

Feeders

**Top Entry Installations**

Thread O-Ring end of correct size Long Tail Adaptor into Mini Fast-Flo Valve Body and tighten firmly enough that the O-Ring creates a seal against the Mini Fast-Flo Valve Body face. Do not over tighten. Place the rubber washer on the long tail adaptor with ribs facing out so that the sealing surface is against the trough/tank wall when adaptor is put through inlet hole. On the outside, place the Poly (hard) Washer on the Long Tail Adaptor with the ribs facing the trough/tank wall. Thread on Adaptor Nut and tighten firmly. Do not over tighten. Screw the Mini Fast-Flo Float onto the Arm and use the Ezy Clamp to move the float to desired position for a water level that suits your requirements.



Air Gap

**HANSEN EZI CLAMP ARM LEVEL ADJUSTMENT**

Hansen Mini Fast-Flo Valves feature a Hansen Ezi Clamp arm allowing the 70mm float to be moved up or down making level adjustment a breeze



**HAND TESTED**  
 All Hansen Mini Fast-Flo Valves are rigorously hand tested.

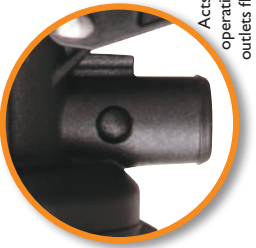
**MATERIALS APPROVED FOR DRINKING WATER**

All plastic parts used in the manufacturing of Mini Fast-Flo valves have been approved for use with potable water.



**HOSE OUTLET BARB**

Acts as a diffuser for quiet operation and controlling the outlets flow in confined spaces



**FLOW RATE**

29 PSI, 9L/PM

**ANTI-SYPHON HOLES**

When the valve body outlet is submerged in water or has an extension outlet tube attached, the Anti-Syphon Holes have been designed to be knocked out to prevent the valve from back flowing as long as the Anti-Syphon Holes are above water level.



**NOTE:** High pressure and or flow can cause water turbulence when used in top entry installations. To minimise use a short piece of pipe to act as a diffuser. To prevent back flow when using a diffuser punch out the Anti-Syphon Holes.

**MAXIMUM WORKING PRESSURE**  
 12 Bar (174 psi) @ 20°C

HD8291 2205

**HANSEN<sup>SM</sup>**  
 mini Fast-Flo Valves  
**A Reliable, Ultra Compact Trough/Tank Valve**  
[www.hansenproducts.com](http://www.hansenproducts.com)

Fast-Flo

HD828 9926 2110

**SUITED TO TOP OR SIDE ENTRY**

**Top Entry Installations**  
 Thread O-Ring end of correct size Long Tail Adaptor into Fast-Flo Valve Body and tighten firmly enough that the O-Ring creates a seal against the Fast-Flo Valve Body face. Do not over tighten. Place the rubber washer on the long tail adaptor with ribs facing out so that the sealing surface is against the trough/tank wall when adaptor is put through inlet hole. On the outside, place the Poly (hard) Washer on the Long Tail Adaptor with the ribs facing the trough/tank wall. Thread on Adaptor Nut and tighten firmly. Do not over tighten. Screw the Fast-Flo Float on to the Brass Arm, bend brass arm at ezi bend.

**Side Entry Installations**  
 Place the rubber washer on the long tail adaptor with ribs facing out so that the sealing surface is against the trough/tank wall when adaptor is put through inlet hole. On the outside, place the Poly (hard) Washer on the Long Tail Adaptor with the ribs facing the trough/tank wall. Thread on Adaptor Nut and tighten firmly. Do not over tighten. Screw the Cord Nut\* onto the Fast-Flo Brass arm. Thread the Cord off\* through the Fast Flo Float. Tie the Cord off\* to achieve the correct water level.  
 \* Cord and Nuts only supplied with long arm version.

**MAXIMUM WORKING PRESSURE**  
 12 Bar (174 psi) @ 20°C

**MATERIALS APPROVED FOR DRINKING WATER**  
 Materials used in the manufacturing of Fast-Flo valves have been approved for use with potable water.  
**AS/NZS 4020**

**COMPACT!**  
 Ideal for confined spaces the Hansen Fast-Flo valve is well suited to trough/tank environments that demand a compact sized valve.

**MALE ADAPTORS**  
 O-Ring seal short & long adaptors available in 15-50mm (1/2" - 2"). Manufactured from High Quality Glass Fibre Reinforced Nylon for a weather, termite, fungi & bacteria resistance.

**REVERSIBLE SEAL**  
 Reversible seal effectively doubles the valves life.

**STRONG LONG LIFE SEAL**  
 Versatile, Tough, Double Sided Urethane Seal.

**ANTI-SYPHON HOLES**  
 When the valve body outlet is submerged in water or has an extension outlet tube attached, the Anti-Syphon Holes have been designed to be knocked out to prevent the valve from back flowing as long as the Anti-Syphon Holes are above water level.

**HOSE OUTLET BARB OUTLET**  
 Acts as a diffuser for quiet operation and controlling the outlets flow in confined spaces

**EZI BEND LEVEL ADJUSTMENT**  
 Hansen Fast-Flo Valves feature a patented Hansen Ezi Bend brass arm making level adjustment a breeze

**FLOW RATE**  
 29 PSI, 3.4L/PM

**Small Bowls**  
**Header Tanks**  
**Compact Troughs**  
**Feeder**

**Hand Tested**  
**HAND TESTED**  
 All Hansen Fast-Flo Valves are rigorously hand tested.

**NOTE:** High pressure and or flow can cause water turbulence when used in top entry installations. To minimise use a short piece of pipe to act as a diffuser. To prevent back flow when using a diffuser punch out the Anti-Syphon Holes.

**Store Packaging**  
 Long Arm Valve  
 Short Arm Valve

## A Reliable, Compact Trough/Tank Valve

www.hansenproducts.com

**HANSEN™**  
 Fast-Flo Valves

INFO SHEETS

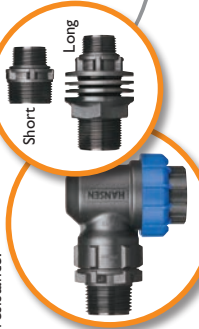
## Super-Flo

### QUALITY BRASS BODY MANUFACTURING

Brass body poured not forged & manufactured in New Zealand. Mini body design to enable easy installation.

**MAXIMUM WORKING PRESSURE**  
12 Bar (174 psi) @ 20°C

**MALE ADAPTORS**  
O-Ring seal short & long adaptors available in 15-50mm (1/2" - 2"). Manufactured from High Quality Glass Fibre Reinforced Nylon for a weather, termite, fungi & bacteria resistance.

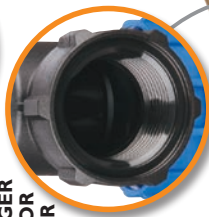


### INTERCHANGEABLE SPARE PARTS

All spare parts can be used on either brass or plastic valves.

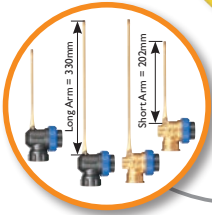


**30% BIGGER BODY FOR GREATER FLOWS**



### LONG & SHORT BRASS ARM OPTIONS

D2 Grade & held in with Stainless Steel split pin.  
Long Arm = 330mm  
Short Arm = 202mm



### MATERIALS APPROVED FOR DRINKING WATER

All plastic parts used in the manufacturing of Super-Flo valves have been approved for use with potable water.



Blue Float

HiViz Float

Note: Floats not included and available as a separate accessory



**HAND TESTED**  
All Hansen Super-Flo Valves are rigorously hand tested

**HIGH FLOW RATE**  
29 PSI, 188L/PM



Stone Packaging

**STRONG LONG LIFE SEAL**

Versatile, Tuff, Double Sided Urethane Seals.

**HELP ELIMINATE VALVE STICKING**

Patent Pending Slipper Fit Piston designed to reduce valve sticking and tuned to eliminate turbulence, improving flow characteristics.

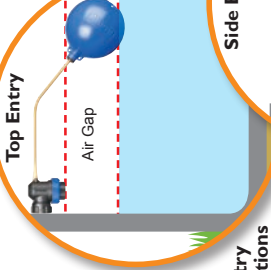


**FEMALE BODY CAP**

Use to supply portable troughs, washdowns, irrigation systems and other applications.



**SUITED TO TOP OR SIDE ENTRY**

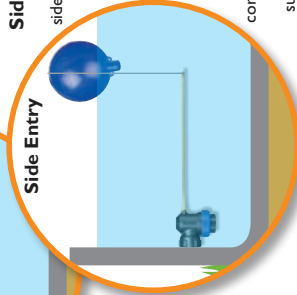


**Top Entry Installations**

Put thread tape on adaptor side that does not have O-ring and start the Thread Super-Flo Valve onto adaptor into trough inlet. Screw the float on to the brass arm. Hold the body of the valve at arm entry point. Bend brass arm to achieve the correct on/off and water level.

**Side Entry Installations**

Put thread tape on adaptor side that does not have O-ring and start the adaptor into trough inlet. Thread Super-Flo Valve onto adaptor & tighten. Screw the nut with cord onto the Super-Flo Brass arm. Thread cord through the Super-Flo float. Tie the cord off to achieve the correct on/off and water level.  
Note: Cord and nuts only supplied with long arm valve.



HD1519 2203

## Reliable High Performance Trough Valve

www.hansenproducts.com

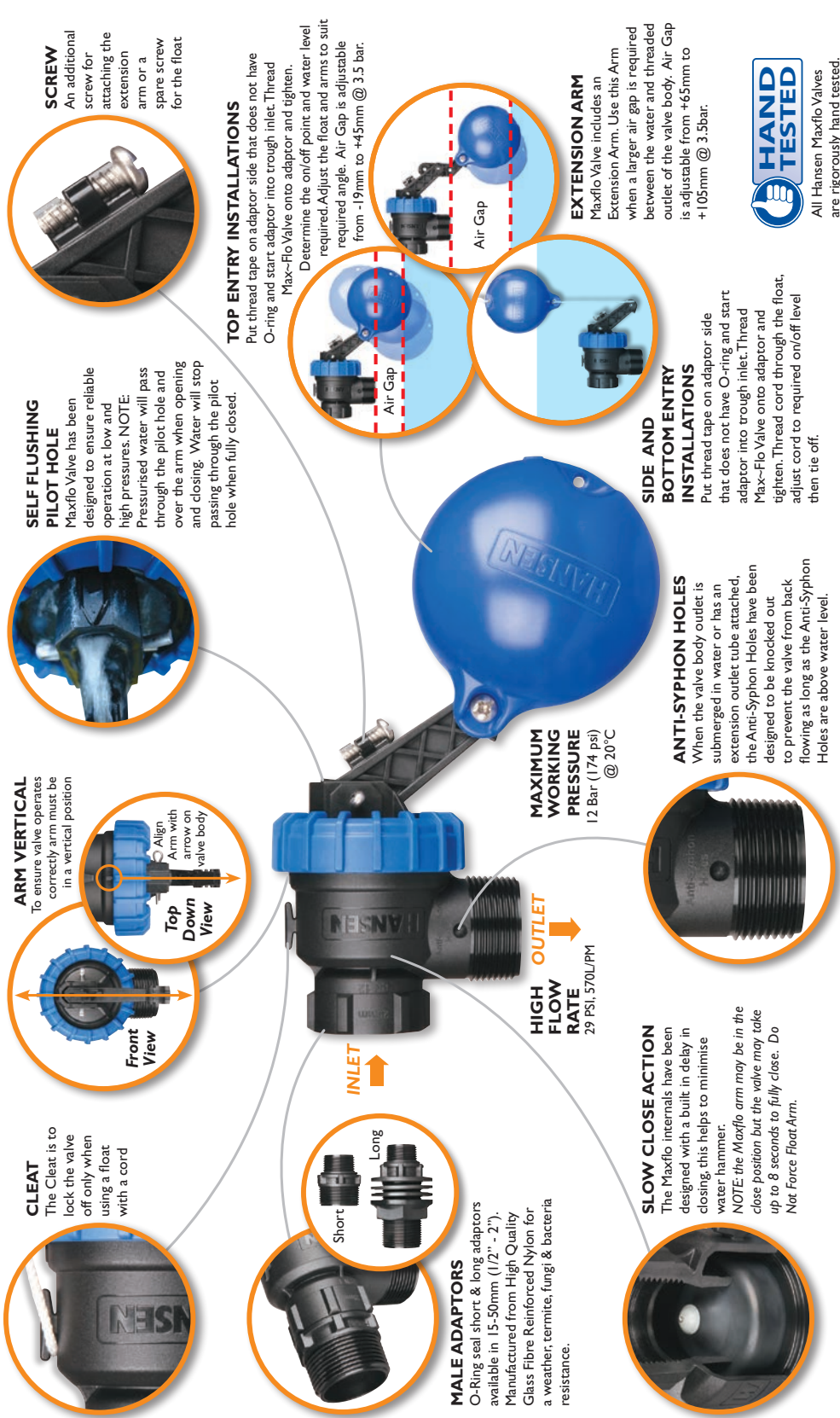
**HANSEN<sup>SM</sup>**

Super-Flo Valves



Max-Flo

HDB160 2505



**SCREW**  
 An additional screw for attaching the extension arm or a spare screw for the float

**SELF FLUSHING PILOT HOLE**  
 Maxflo Valve has been designed to ensure reliable operation at low and high pressures. NOTE: Pressurised water will pass through the pilot hole and over the arm when opening and closing. Water will stop passing through the pilot hole when fully closed.

**ARM VERTICAL**  
 To ensure valve operates correctly arm must be in a vertical position

**CLEAT**  
 The Cleat is to lock the valve off only when using a float with a cord

**TOP ENTRY INSTALLATIONS**  
 Put thread tape on adaptor side that does not have O-ring and start adaptor into trough inlet. Thread Max-Flo Valve onto adaptor and tighten. Determine the on/off point and water level required. Adjust the float and arms to suit required angle. Air Gap is adjustable from -19mm to +45mm @ 3.5 bar.

**EXTENSION ARM**  
 Maxflo Valve includes an Extension Arm. Use this Arm when a larger air gap is required between the water and threaded outlet of the valve body. Air Gap is adjustable from +65mm to +105mm @ 3.5bar.

**SIDE AND BOTTOM ENTRY INSTALLATIONS**  
 Put thread tape on adaptor side that does not have O-ring and start adaptor into trough inlet. Thread Max-Flo Valve onto adaptor and tighten. Thread cord through the float; adjust cord to required on/off level then tie off.

**ANTI-SYPHON HOLES**  
 When the valve body outlet is submerged in water or has an extension outlet tube attached, the Anti-Syphon Holes have been designed to be knocked out to prevent the valve from back flowing as long as the Anti-Syphon Holes are above water level.

**MAXIMUM WORKING PRESSURE**  
 12 Bar (174 psi) @ 20°C

**HIGH FLOW RATE**  
 29 PSI, 570L/PM

**SLOW CLOSE ACTION**  
 The Maxflo internals have been designed with a built in delay in closing, this helps to minimise water hammer.  
 NOTE: the Maxflo arm may be in the close position but the valve may take up to 8 seconds to fully close. Do Not Force Float Arm.

**MALE ADAPTORS**  
 O-Ring seal short & long adaptors available in 15-50mm (1/2" - 2"). Manufactured from High Quality Glass Fibre Reinforced Nylon for a weather, termite, fungi & bacteria resistance.

**HAND TESTED**  
 All Hansen Maxflo Valves are rigorously hand tested.

NOTE: High performance can cause water turbulence when used in top entry installations. To minimise use a Hansen HF532 with a short piece of poly pipe to act as a diffuser. To prevent back flow when using a diffuser use the Anti-Syphon Holes.

**HANSEN**  
 Max-Flo Valves  
 Reliable High Performance Trough/Tank Valve  
 www.hansenproducts.com

INFO SHEETS

## Leveller Valve

5071 85180H

**ARM VERTICAL**  
To ensure valve operates correctly arm must be in a vertical position.

**SELF FLUSHING PILOT HOLE**  
Leveller-Valve has been designed to ensure reliable operation at low and high pressures. Note: pressurised water will pass through the pilot hole when opening and closing. Water will stop passing through the pilot hole when fully closed.

**ANTI-SYPHON HOLES**  
When the valve body outlet is submerged in water or has an extension outlet tube attached, the anti-siphon holes have been designed to be knocked out to prevent the valve from back flowing as long as the anti-siphon holes are above water level.

**WEIGHTED BALL**  
The Hi Viz Weighted Ball has a stainless steel weight and must be filled with water.

**LOW PARTS COUNT**  
Less working parts results in a more efficiently operating valve for better overall performance. Less parts to remove, lose or break.

**SLOW CLOSE ACTION**  
The Leveller internals have been designed with a built in delay in closing, this helps to minimise water hammer. Note the Leveller arm may be in the closed position but the valve may take up to 8 seconds to fully close. **Do not force arm closed.**

**MALE ADAPTORS**  
O-Ring seal short & long adaptors available in 15-50mm (1/2" - 2"). Manufactured from High Quality Glass Fibre Reinforced Nylon for a weather, termite, fungi & bacteria resistance.

**CLEAT**  
The Cleat is to lock the valve open or shut.

**INLET** →

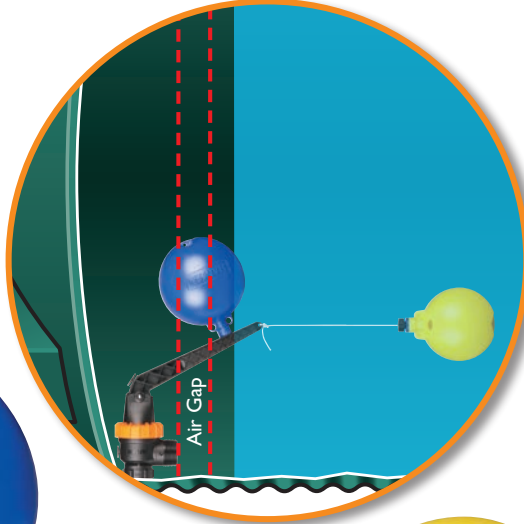
**OUTLET** →

**HIGH FLOW RATE**  
1275 L/PM @ 12 BAR

**MAXIMUM WORKING PRESSURE**  
12 Bar (174 psi) @ 20°C

**HAND TESTED**  
All Hansen Leveller Valves are rigorously hand tested.

**Score Packaging**



## Reliable HiFlo Reservoir/Tank Valve

www.hansenproducts.com

## HANSEN<sup>SM</sup> Leveller Valve



## Turbo~Twist

**EASY TURN ACTION & BUILT IN CLICK**  
Allows for control of flow, with the clever reverse click and prevents turning on if dropped.

**CLEVER REVERSE CLICK**

**EASY TWIST ACTION**  
Great range of flow, with a simple twist action.

**HARD WEARING MATERIALS**  
Industrial strength materials for a long life.

**HANDLES HARD KNOCKS**  
Absorbs shock and gives maximum resistance when dropped on hard surfaces.

**QUALITY GUARANTEED**  
Covered by Hansen's Warranty means you can buy with confidence.

**20% MORE CLEANING POWER**  
A Better Way to Wash – Test results demonstrate you will save time with a higher and more concentrated flow, delivering 20% more cleaning power in comparison to comparable products.\*

**LARGE INLET**  
40mm inlet provides maximum flow potential for fast and effective washdowns.

**CHARGED TURBO JET POWER**  
Deliver maximum cleaning power with concentrated flow.

**THE TURBOTWIST IS IDEAL FOR**

- Yard Washing
- High Pressure Washing
- Meat Works
- Factories
- Marine

**EASY TWIST ACTION**  
Great range of flow, with a simple twist action.

**EASY TURN ACTION & BUILT IN CLICK**  
Allows for control of flow, with the clever reverse click and prevents turning on if dropped.

**CLEVER REVERSE CLICK**

**LARGE INLET**  
40mm inlet provides maximum flow potential for fast and effective washdowns.

**ADD THESE CONNECTION OPTIONS**  
Available separately are a range of versatile connection accessories for 25mm to 50mm washdown hose and male or female threaded end connections.

**BASIC STYLE**  
Add Hansen male hose adaptors for washdown hose.

**NO MORE CUT HANDS**  
No more broken or rusty clamps. Add a Hansen Easy Clamp.

**ULTIMATE SWIVEL**  
No more annoying hose twists. Add a Hansen Ultimate Swivel.

**CUSTOM**  
Add Male & Female threaded end swivel connections.

**EASY GRIP BODY**  
Provides excellent grip when working with wet hands.

\*based on in-house testing and competitors available data

## Taking Traditional Washdown to the Next Level

www.hansenproducts.com

**HANSEN™**  
*Turbo~Twist*



HDB327 2205



**EASY TWIST ACTION & BUILT IN CLICK**  
 Allows full control of flow, with the clever reverse click & prevents turning on if dropped.



**EASY TWIST ACTION**  
 Great range of flow, with a simple twist action.



**POWERFUL TWIN ACTION CLEANING HEAD**

A adjustable head provides Powerful Sweep action to move effluent quickly, with quick twist to Turbo Jet to help dislodge any stubborn stuck on grime.



**LARGE INLET**  
 40mm inlet provides maximum flow potential for fast and effective washdowns.



**HARD WEARING MATERIALS**  
 Industrial strength materials for a long life.

**ADD THESE CONNECTION OPTIONS**

Available separately are a range of versatile connection accessories for 25mm to 50mm washdown hose and male or female threaded end connections.

**ULTIMATE SWIVEL**

No more annoying hose twists. Add a Hansen Ultimate Swivel.



**CUSTOM**

Add Male & Female threaded end swivel connections.



**BASIC STYLE**

Add Hansen male hose adaptors for washdown hose.

**NO MORE CUT HANDS**

No more broken or rusty clamps. Add a Hansen Easy Clamp.



**EASY GRIP BODY**

Provides excellent grip when working with wet hands.

**QUALITY GUARANTEED**

Covered by Hansen's Warranty means you can buy with confidence

**THE TURBO SWEEP IS IDEAL FOR**

- Yard Washing
- Truck Wash
- High Pressure Washing
- Meat Works
- Factories
- Marine

Going Where No Other Nozzle Has Ever Been

www.hansenproducts.com

**HANSEN**<sup>™</sup>



INFO SHEETS

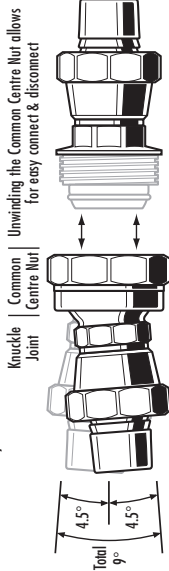
## Quick Connect Unions

### POTABLE WATER APPROVED

Materials approved for use with Potable (drinkable) Water  
AS/NZS 4020:2018

### ULTIMATE FLEXIBILITY AROUND PUMPS

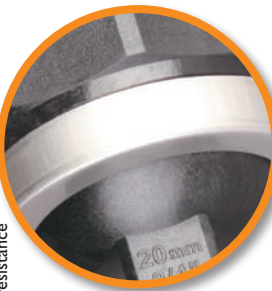
The Hansen Knuckle Union is the ultimate quick connect/disconnect solution around pumps. With a flexible 'knuckle' joint of up to 9 degrees movement, now you don't have to worry if your pipe work doesn't line up exactly with your pump, the flexible Hansen Knuckle Union takes care of that for you!



**MAXIMUM WORKING PRESSURE**  
10 Bar (145 psi)  
@ 20°C

### HIGH QUALITY DURABLE MATERIALS

Manufactured from Strong 304 grade stainless steel and UV Stabilised High Quality Glass Fibre Reinforced Nylon giving a weather, termite, fungi and bacterial resistance



### EASY TO USE

As with all Hansen fittings, simplicity & ease of use remain at the core of the Hansen Quick Connect Knuckle Union.

**3.** Insure the Common Centre Nut is firmly tightened. Do not over tighten.



**2.** Join the two parts together by winding the Common Centre Nut onto the matching Male Thread



**1.** Line up the two ends of the Quick Connect Knuckle Union

### TIME TESTED CONNECTIONS

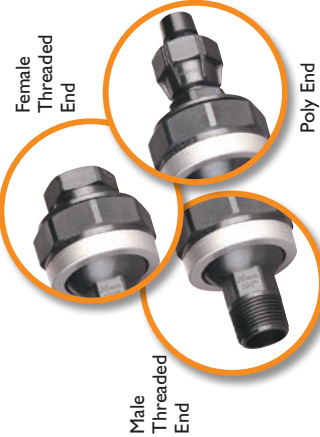
Uses the same time tested Hansen Easy Fit and True Fit connections as in other ranges.



## Total of 9 Degrees Movement

### MULTIPLE CONFIGURATIONS

Multiple connections enables this fitting to meet the needs of just about any situation. All connections available in sizes 20mm, 25mm or 32mm (3/4", 1", 1 1/4" BSP).



HDB164 2209

# Ultimate Flexible and Adaptable Unions

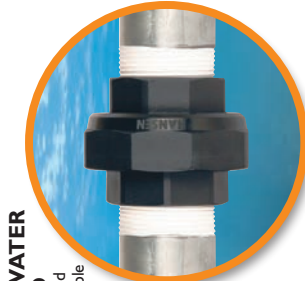
www.hansenproducts.com

# HANSEN™

Quick Connect Unions

## Quick Connect Unions

HDB169 2210



### POTABLE WATER APPROVED

Materials approved for use with Potable (drinkable) Water

AS/NZS 4020



### STRONG COMPACT DESIGN

The compact design of the Hansen Quick Connect Barrel Union makes it especially suited to tight spaces where there is very little room for movement when connecting and disconnecting pump or pipe.



### HIGH QUALITY DURABLE MATERIALS

Manufactured from UV Stabilised High Quality Glass Fibre Reinforced Nylon and Nitrile Rubber. O-Ring giving a weather, termite, fungi and bacterial resistance

### O-RING SEAL

For a leak proof connection.



### PRECISION HEAVY DUTY TAPERED THREADS

Gives a Strong Reliable Seal. Material is strong enough to minimise potential cross threading.

**MAXIMUM WORKING PRESSURE**  
 1.6 Bar (235 psi)  
 @ 20°C

### PUMP TO PIPE

1. Disconnect current pipe from pump by unwinding the Common Centre Nut

### EASY TO USE

As with all Hansen fittings, simplicity & ease of use remain at the core of the Hansen Quick Connect Barrel Union.

2. Connect the new pipe to pump by winding the Common Centre Nut onto the matching male thread

### PIPE TO PIPE

1. Disconnect current pipe by unwinding the Common Centre Nut

2. Connect new pipe to pipe by winding the Common Centre Nut onto the matching male thread

### EASY SLIP DOWN ACTION

The easy slip down action makes uninstalling pumps & pipe work a breeze! When the common nut is wound off, the pipe simply 'slips down' with virtually no extra forward or backward movement required to separate the connection.



**Available in Sizes:**  
 15mm, 20mm, 25mm, 32mm, 40mm, 50mm, 25x20mm, 32x25mm  
 (1/2", 3/4", 1", 1-1/4", 1-1/2", 2", 1"x3/4", 1-1/4"x1")



**Strong, Compact and Easy to Use Unions**

www.hansenproducts.com



80E1 5918CH

**HIGH QUALITY STRONG MATERIALS**  
High impact UV resistant polyethylene construction coupled with long life corrosion proof fastenings. Utilises a wide range of sprinklers to suit a variety of applications.

**EASILY MOVED**  
Pod Lines are quickly & easily moved by ATV or farm vehicle.

**STRONG WIRE PROTECTORS**  
help prevent pod rollover while shifting pods and protects the sprinkler.

**MULTIPLE SPRINKLER OPTIONS**  
The Irripod system can adapt to a wide variety of 15mm (1/2") or 20mm (3/4") sprinkler types.

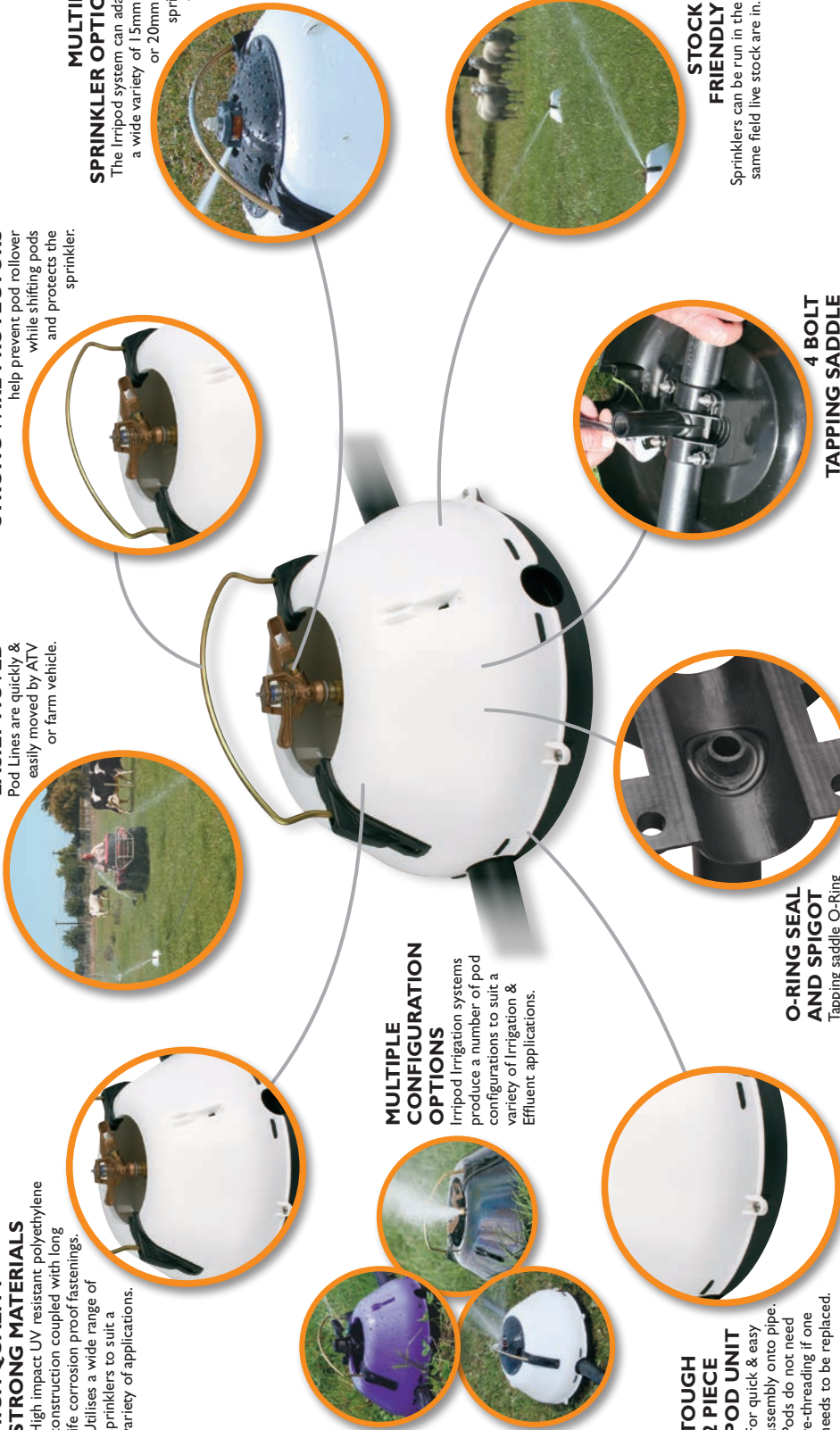
**MULTIPLE CONFIGURATION OPTIONS**  
Irripod Irrigation systems produce a number of pod configurations to suit a variety of Irrigation & Effluent applications.

**TOUGH 2 PIECE POD UNIT**  
For quick & easy assembly onto pipe. Pods do not need re-threading if one needs to be replaced.

**O-RING SEAL AND SPIGOT**  
Tapping saddle O-Ring forms a leak proof bond with the pipe and the spigot holds the pod in place so it doesn't slip on the pipe.

**4 BOLT TAPPING SADDLE**  
Creates extra strong mounting of sprinkler to base. Enables accurate positioning when mounting sprinkler.

**STOCK FRIENDLY**  
Sprinklers can be run in the same field live stock are in.



## Flexible Low Application Pod Irrigation System





*Accessories*

# Threaded Seal Tape

## Ceelon®

High quality cost effective heavier weight (.75mm) threaded tape for all commercial and domestic applications. Colour coded for easy selection.

**RED** - 12mm x 10m PTFE  
 Display box carries 24 rolls

**BLUE** - 18mm x 12m PTFE  
 Display box carries 16 rolls

**GREEN** - 24mm x 12m PTFE  
 Display box carries 16 rolls

**HANDYMAN TAPE**  
 12mm x 10m (box of 100) high quality cost effective medium weight threaded tape for all domestic and commercial applications.

**DESIGNED TO LAST**  
 Won't dry out, crack or harden

- ✓ Acid
- ✓ Alkali
- ✓ Solvents
- ✓ Petrol
- ✓ Steam

**WITHSTANDS ALMOST ALL CHEMICALS**  
 Inert to all acid, alkali, solvents, petrol & steam

**-260°C**  
 to  
**+260°C**

**WITHSTANDS MASSIVE TEMPERATURES**  
 From minus 260 degrees Celsius to plus 260 degrees Celsius

**SELF LUBRICATING**  
 Natural self lubricating surface for easy winding on of thread.



HDB166 1204

## Superior PTFE Threaded Tape

**HANSEN**<sup>™</sup>

*Best Installed Value*

[www.hansenproducts.co.nz](http://www.hansenproducts.co.nz)

INFO SHEETS



# Tables & Conversions



Best Installed Value



AS 1074, STEEL TUBE PIPE DIMENSIONS*						
SIZE NOMINAL	LIGHT		MEDIUM		HEAVY	
	OUTSIDE DIAMETER MM	WALL THICKNESS MM	OUTSIDE DIAMETER MM	WALL THICKNESS MM	OUTSIDE DIAMETER MM	WALL THICKNESS MM
15	21.2	2.00	21.4	2.65	1.4	3.25
20	26.6	2.35	26.9	2.65	26.9	3.25
25	33.5	2.65	33.8	3.25	33.8	4.05
32	42.2	2.65	42.5	3.25	42.5	4.05
40	48.1	2.90	48.4	3.25	48.4	4.05
50	59.9	2.90	60.4	3.65	60.4	4.05

STANDARD DIMENSION RATIOS (SDR) FOR SERIES 1 METRIC PE PIPES - AS/NZS4130									
PRESSURE									
MATERIAL	PN 3.2	PN 4	PN .3	PN 8	PN 10	PN 12.5	PN 16	PN 20	PN 25
PE 80	41	33	21	17	13.6	11	9	7.4	-
PE 100	-	41	26	21	17	13.6	11	9	7.4

METRIC PE PIPE AS/NZS 4130						
SDR	11		17		21	
PE100 PE80	PN16 PN12.5		PN10 PN8		PN8 PN6.3	
NOMINAL SIZE MM	WALL THICKNESS MM	BORE MM	WALL THICKNESS MM	BORE MM	WALL THICKNESS MM	BORE MM
16	1.6	12.7	-	-	-	-
20	1.9	16.0	-	-	-	-
25	2.3	20.3	1.6	21.7	-	-
32	2.9	26.0	1.9	28.1	1.6	28.7
40	3.7	32.3	2.4	35.0	1.9	26.1
50	4.6	40.4	3.0	43.9	2.4	45.1
63	5.8	51.0	3.8	55.2	3.0	56.9
75	6.8	60.9	4.5	65.8	3.6	67.7
90	8.2	73.0	5.4	79.0	4.3	81.3
110	10.0	89.4	6.6	96.5	5.3	99.2
125	11.4	101.5	7.4	109.9	6.0	112.9
140	12.7	113.9	8.3	123.1	6.7	126.5
160	14.6	130.9	9.5	140.7	7.7	75.7
180	16.4	146.3	10.7	158.3	8.6	144.5
200	18.2	162.5	11.9	175.8	9.6	182.6
225	20.5	182.9	13.4	197.8	10.8	203.3
250	22.7	203.4	14.8	220.0	11.9	226.1
280	25.4	227.8	16.6	268.8	13.4	253.0
315	28.6	256.3	18.7	277.1	15.0	284.9

PRESSURE CHART

1.45 psi	= 1m
14.5 psi	= 10m
10m	= 1 bar
1 bar	100kpa

630Kpa = 6.30 bar = 63m = 94psi

\*Figures in the Table & Conversion Charts are subject to change.

## STOCK WATER CONSUMPTION

Class of Animals	Litres/head/day	Consumed over
Cattle (lactating)	75	5hrs
Dairy cattle (plant clearing)	70	5hrs
Cattle (non lactating)	60	5hrs
Calves	25	6hrs
Working horses	55	6hrs
Grazing horses	35	6hrs
Sheep	4	10hrs
Lambs	1	10hrs
Sows	25	6hrs
Poultry per 100 birds	20	24hrs
Household use per person	200	

\*\*Absolute minimums will be affected by factors such as:

- Animal Size
- Physiological States ie: pregnant or lactating
- Ambient temp
- Humidity
- Feed Type
- Amount of shade available
- Walking long distances etc

## PIPE SIZE AND FLANGE DIMENSIONAL DATA

### PIPE OUTSIDE DIAMETERS

### NOMINAL SIZE

	PIPE MATERIAL	ABBREVIATION	STANDARD	DESIGNATION	NOMINAL SIZE																			
					50	65	80	100	125	150	175	200	225	250	300	350	375	400	450	500	525	600	675	750
PRESSURE PIPE	Ductile Iron	DICL	AS/NZS 2280 ISO 2531/BS EN 545	PN20 PN35	-	-	96	122	-	177	-	232	259	286	345	-	426	-	507	560	-	667	-	826
	Steel	MSCL GWI	AS 1579 AS 1074	6mm Wall Thickness	-	-	-	114	-	168	-	219	257	273	324	356	406	457	508	559	-	660	-	813
	Polyvinyl Chloride	UPVC MPVC OPVC	AS/NZS 1477 AS/NZS 4765 AS/NZS 4441	Series 1 (White) Series 2 (Blue)	60	75	89	114	140	160	200	225	250	280	315	355	400	450	500	560	-	630	-	-
	Polyethylene	PE 808 OR PE 100	AS/NZS 4130	Class PN12.5 or PN 16	63	-	90	110/125	160	180	-	250	280	315	355	-	450	-	-	-	-	-	-	-
	Acronitrile Butadiene Styrene	ABS	BS 5391 Part 1	Class C,E,T	60	75	89	114	140	168	-	219	-	-	-	-	-	-	-	-	-	-	-	-
	Glass Reinforced Plastic	GRP	AS 3571	Class C	-	-	-	122	-	177	-	232	259	286	345	399	426	453	507	560	587	667	747	826
	Copper	CU	AS 1432	Class C	51	64	76	102	127	152	-	203	229	-	-	-	-	-	-	-	-	-	-	-
	Grey Cast Iron	CICL	AS 1711	Class AB	-	-	-	122	-	177	-	232	259	286	334	-	413	-	492	545	-	650	-	-
	Asbestos Cement	AC	AS 4058	Class 2,3,or 4	-	-	96	122	-	177	-	232	259	286	334	-	413	-	492	-	572	650	-	826
	Reinforced Concrete	RC	AS 631 EN 877		-	-	-	-	-	197	-	-	279	-	362	-	445	-	533	-	616	699	787	-
NON PRESSURE PIPE	Grey Cast Iron	Soil Pipe	AS/NZS 1260		-	-	86	112	140	165	-	244	-	325	-	-	-	-	-	-	-	-	-	
	PVC	SW	AS 1741		56	69	83	110	-	160	-	250	-	315	-	400	-	-	-	-	-	-	-	
	Verified Clay	VC		Class X	-	-	-	138	-	194	-	280	-	370	-	450	485	535	-	635	710	-	-	
	Fibre Reinforced Cement	FRC		Class 35	-	-	-	124	-	179	-	261	-	345	-	426	-	510	-	594	679	-	-	
	Asbestos Cement	AC	AS 1712	Class 50	-	-	-	120	-	177	-	230	257	283	336	-	419	-	497	-	576	657	-	-
					-	-	-	122	-	183	-	236	262	289	344	-	425	-	505	-	585	664	-	-

\*Figures in the Table & Conversion Charts are subject to change.

**FLANGE DIMENSIONS**

			NOMINAL SIZE																				
AS STANDARD PRESSURE	AS 4087 Drilling compatible with: AS 2129 Table C AS 2129 Table D		50	65	80	100	125	150	175	200	225	250	300	350	375	400	450	500	525	600	700	750	
			Outside Diameter	150	165	185	215	(255)	280	-	355	370	405	455	525	550	580	640	705	(735)	825	(910)	995
			Pitch Circle Diameter	114	127	146	178	(210)	235	-	292	324	356	406	470	495	521	584	641	(673)	756	(845)	297
			No of Holes	4	4	4	4	(8)	8	-	8	8	8	12	12	12	12	12	16	(16)	16	(20)	20
			Diameter of Holes						18	-	18	18	22	22	26	26	26	26	26	26	30	(30)	33
			Bolt Diameter						16	-	16	16	20	20	24	24	24	24	24	24	27	(27)	30
Class	Figure	Thickness																					
16	B5	-Ductile Iron	-	-	18	20	-	23	-	23	24	24	30	-	33	-	33	35	-	42	-	47	
14	B2	-Cast Iron	-	-	19	22	(22)	22	-	25	25	25	29	32	32	32	35	38	(38)	41	(44)	48	
14	B7	-Steel	11	11	11	11	(13)	15	-	19	19	19	22	30	30	30	30	38	(41)	48	-	48	

AS HIGH PRESSURE	AS 4087 Drilling compatible with: AS 2129 Table F AS 2129 Table H		50	65	80	100	125	150	175	200	225	250	300	350	375	400	450	500	525	600	700	750	
			Outside Diameter	165	185	205	230	-	305	-	370	405	430	490	550	580	610	675	735	(760)	850	-	1015
			Pitch Circle Diameter	127	146	165	191	-	260	-	324	356	381	438	495	521	552	610	673	(699)	781	-	940
			No of Holes	4	8	8	8	-	12	-	12	12	12	16	16	16	20	20	24	(24)	24	-	28
			Diameter of Holes	18	18	18	18	-	22	-	22	26	26	26	30	30	33	30	33	(33)	36	-	36
			Bolt Diameter	16	16	16	16	-	20	-	20	24	24	24	27	27	27	30	30	(30)	33	-	33
Class	Figure	Thickness																					
35	B6	-Ductile Iron	-	-	22	22	-	27	-	31	34	34	38	-	42	-	46	49	-	54	-	59	
21	B3	-Cast Iron	-	-	19	22	-	25	-	39	29	32	32	35	35	35	38	41	(41)	44	-	51	
35	B4	-Cast Iron	-	-	29	32	-	35	-	41	41	44	44	48	51	51	54	57	(60)	64	-	-	
21	B8	-Steel	15	15	15	19	-	24	-	24	30	30	30	30	38	38	38	48	(51)	58	-	58	
35	B9	-Steel	19	19	24	24	-	31	-	31	38	38	38	48	48	48	58	58	(70)	68	-	-	

**FLANGE DIMENSIONS**

			NOMINAL SIZE																				
TABLE E	AS 2129 Table E		50	65	80	100	125	150	175	200	225	250	300	350	375	400	450	500	525	600	700	750	
			Outside Diameter	150	165	185	215	255	280	-	355	370	405	455	525	550	580	640	705	735	825	910	995
			Pitch Circle Diameter	114	127	146	178	210	235	-	292	324	356	406	470	495	521	584	641	673	756	845	927
			No of Holes	4	4	4	8	8	8	-	8	12	12	12	12	12	12	16	16	16	16	20	20
			Diameter of Holes	18	18	18	18	18	22	-	22	22	22	26	26	26	26	26	26	30	33	33	36
			Bolt Diameter	16	16	16	16	16	20	-	20	20	20	24	24	24	24	24	24	27	30	30	33
Class	Figure	Thickness																					
35	B4	-Cast Iron	19	19	19	22	22	22	-	25	25	25	29	32	32	32	35	38	38	41	44	48	

ISO	ISO 7005 PN16 Drilling compatible with BS 4504 PN16 DIN 2533 PN16		50	65	80	100	125	150	175	200	225	250	300	350	375	400	450	500	525	600	700	750	
			Outside Diameter	150	165	185	215	255	280	-	355	370	405	455	525	550	580	640	705	735	825	910	995
			Pitch Circle Diameter	114	127	146	178	210	235	-	292	324	356	406	470	495	521	584	641	673	756	845	927
			No of Holes	4	4	4	8	8	8	-	8	12	12	12	12	12	12	16	16	16	16	20	20
			Diameter of Holes	18	18	18	18	18	22	-	22	22	22	26	26	26	26	26	26	30	33	33	36
			Bolt Diameter	16	16	16	16	16	20	-	20	20	20	24	24	24	24	24	24	27	30	30	33
Class	Table	Thickness																					
16	11	-Ductile Iron	19	19	19	19	19	19	-	20	-	22	25	27	-	28	30	32	-	36	40	-	
16	11	-Cast Iron	20	20	22	24	26	26	-	30	-	32	32	36	-	38	40	42	-	48	54	-	

ANSI	ANSI B16.1 125lb Drilling compatible with ANSI B16.1 150lb		50	65	80	100	125	150	175	200	225	250	300	350	375	400	450	500	525	600	700	750	
			Outside Diameter	152	178	191	229	255	280	-	343	-	405	483	533	-	597	635	699	-	813	-	984
			Pitch Circle Diameter	121	140	152	191	216	241	-	298	-	362	432	476	-	540	578	635	-	749	-	914
			No of Holes	4	4	4	8	8	8	-	8	-	12	12	12	-	16	16	20	-	20	-	28
			Diameter of Holes	19	19	19	19	22	22	-	22	-	25	25	29	-	29	32	32	-	35	-	35
			Bolt Diameter	16	16	16	16	20	20	-	20	-	22	22	25	-	25	29	29	-	32	-	35
Class	Table	Thickness																					
16	11	-Cast Iron	16	18	20	24	24	25	-	29	-	26	32	35	-	37	40	48	-	48	-	54	

## BSP FITTING THREAD SIZE TABLE

THREAD SIZE		T.P.I. (THREADS PER INCH)	MALE THREAD OUTSIDE DIAMETER		FEMALE THREAD OUTSIDE DIAMETER	
METRIC	IMPERIAL		mm	inch	mm	inch
6mm	1/8"	28	9.5	0.37	8.6	0.34
8mm	1/4"	19	12.8	0.50	11.4	0.45
10mm	3/8"	19	16.3	0.64	15.0	0.59
15mm	1/2"	14	20.4	0.80	18.6	0.73
20mm	3/4"	14	25.8	1.02	24.1	0.95
25mm	1"	11	32.6	1.28	30.3	1.19
32mm	1 1/4"	11	41.1	1.62	39.0	1.54
40mm	1 1/2"	11	47.0	1.85	44.8	1.76
50mm	2"	11	58.6	2.31	56.7	2.23
65mm	2 1/2"	11	74.1	2.92	72.2	2.84
80mm	3"	11	86.6	3.41	84.9	3.34
100mm	4"	11	111.4	4.39	110.1	4.33

\* Dimensions are at the end of the fitting. There are small differences between taper and parallel threads.



# Legal & Approvals





# Hansen Warranty

**NOTICE:** By installing this Hansen product, the Customer acknowledges its acceptance of the terms of this limited lifetime warranty in all respects. If for any reason the Customer does not accept the terms of this limited warranty, the Customer should return the Hansen product in its original packaging for a full refund. Hansen Products Limited ("Hansen") warrants each Hansen product ("Product") to the original customer ("Customer") against defects in materials and workmanship. The warranty runs for a period of 20 years following time of purchase, the life of the Product. This is a parts only warranty.

The Customer is responsible for disassembling, reassembling and reinstalling the Product. Hansen shall not be responsible or liable for the cost of field labour or other charges incurred by the Customer in removing and/or reaffixing any Product, part or component thereof. To make a warranty claim, the Customer should contact Hansen at the address below. Hansen may instruct the Customer to send the Product to an authorised Hansen agent. Along with the Product returned, the Customer should include a detailed explanation of the defect including information on the installation and in-situ environment along with proof of purchase (if requested). The Customer shall bear the freight cost to ship the Product to Hansen or its authorised agent, however these costs will be reimbursed by Hansen in the event that the warranty claim is valid. Hansen shall bear the freight cost to ship the Product back to the Customer.

Hansen shall fairly evaluate a warranty claim. If Hansen accepts the claim, it will replace the Product. If for any reason Hansen does not wish to replace the Product, it shall refund the Purchase Price. Hansen's liability shall not exceed the purchase price of the Product.

Subject to the Customer's rights under applicable consumer legislation, Hansen's sole responsibility is to replace a Product that is the subject of a valid warranty claim or to refund the purchase price. Under no circumstance will Hansen be liable for direct, indirect, incidental, special or consequential losses, costs or damages, including dismantling and re-installation costs, damage to other property and equipment, water loss or water damage.

This warranty is void in any of the following circumstances:

- (a) The Product has been misused, mishandled, neglected or abused.
- (b) The Product is not suitable for the Customer's application.
- (c) The Product has been improperly installed, operated, repaired, adjusted, serviced or maintained.
- (d) The Product has been damaged other than by reason of a Product defect.
- (e) The Product has been modified.
- (f) The Product has been connected to other equipment with which it is not compatible.
- (g) The Product has been used outside its stated specifications, and operating parameters, including specifications and operating parameters relating to capacity, temperature and pressure.
- (h) The Product has been used for purposes other than for which it was designed.
- (i) The product has been installed, embedded or placed under concrete or similar materials.

If the Product is off-warranty or otherwise not subject to a valid warranty claim, Hansen will replace the Product at the Customer's cost.

Many factors can cause a Product not to function properly. Such factors may have nothing to do with the Product itself (e.g. pipe failure). Before making a warranty claim, the Customer should make sure that the Product is truly defective. That is to say, the Customer should have followed standard trouble shooting and fault finding procedures and attributed the problem to a defect in the Product.

Refer to the technical documentation on the Hansen website. If necessary, contact Hansen for technical support. If Hansen determines that a returned Product was not defective, or that the warranty claim was otherwise not valid, Hansen shall charge the Customer a service and handling fee as well as the freight cost.

This warranty applies to Hansen Products only. It does not apply to ancillary equipment over which Hansen has no control. Such ancillary equipment includes, without limitation, other plumbing equipment, pipes, hoses and fittings.

Hansen Products are capable of being used in many different types of applications and operating environments. Therefore, proper selection of a specific Product for a specific application and operating environment, and its compatibility with other equipment to which it is attached, is the Customer's responsibility. The Customer must assume the ultimate responsibility for the proper sizing, selection, compatibility, installation and operation of Hansen Products. Hansen does not warrant the performance of Hansen Products or their suitability for a particular purpose. It is the Customer's responsibility to determine the suitability of Hansen Products for the Customer's use.

Installation is entirely at the Customer's risk. The Customer is responsible for installing the Product in accordance with Hansen's installation instructions and applicable local codes,

ordinances and good trade practices. Hansen accepts no liability for damages resulting from faulty installation.

Hansen accepts no liability for direct, indirect, incidental, special, or consequential damages resulting from the Customer's failure to follow Hansen's warnings, installation instructions and procedures or such other procedures generally applicable to products of the same type. The foregoing limitation extends to damages to person or property as well as the cost of alternative arrangements and the cost of trades people.

Hansen reserves the right to change or improve its Products or any component thereof without being obligated to provide such a change or improvement for Products sold and/or shipped prior to such change or improvement.

No warranties or representations at any time made by any representative of Hansen Products shall vary or expand the provisions hereof. Notwithstanding the foregoing, this warranty, being a generic warranty covering all Hansen Products, shall not apply in circumstances where Hansen or its authorised reseller gives a specific warranty for a specific Hansen Product.

This is an express warranty. Hansen disclaims any other express or implied warranties, including warranties of merchant ability or fitness for purpose, to the maximum extent permitted by law. Some jurisdictions do not allow limitations or disclaimers of implied or statutory warranties. Some jurisdictions do not allow disclaimers or exclusions of consequential or incidental damages. Therefore, the above disclaimers, limitations and exclusions may not apply in all jurisdictions in which Hansen sells Hansen Products. As to any jurisdiction in which one or more clauses in this warranty are unenforceable, this warranty shall be deemed modified, and the offending clauses amended or removed, but only to the extent necessary to bring this warranty into conformity with the laws in such jurisdiction. The invalidity of any clause in this warranty shall not affect the validity of any other clause.

Our goods come with guarantees that cannot be excluded under the Australian Consumer Law. The Customer may be entitled to a replacement or refund for a major failure and compensation for any other reasonably foreseeable loss or damage in accordance with the Customer's rights under the Australia Consumer Law, as contained in Schedule 2 of the Competition and Consumer Act 2010 (Cth). The Customer may be entitled to have the goods repaired or replaced if the goods fail to be of acceptable quality and the failure does not amount to a major failure.

This warranty gives the Customer specific legal rights. The Customer may have other rights or remedies pursuant to the laws in its territory. Nothing in this warranty should be construed as limiting or restricting any other statutory right or remedy of the Customer, except for such limitations or restrictions herein as may be allowed by the law of the territory.

## Hansen's has obtained the following approvals

### ISO

Hansen Products (NZ) Limited is justifiably proud to be certified to ISO 9001:2015 by Telarc Limited. ISO 9001:2015 is a Quality Management System which aids to increase the efficiency and effectiveness of any organisation, to manage the process and activities used to eliminate risk to the customer and to ensure that its products and service conform to customer requirements, thus ensuring customer satisfaction. The ISO 9001 definition of "quality" refers to all the features of a supplier's product and service, which are required by the customer.

As part of ISO Certification, a fully documented quality system must be in place which is audited by an approved accreditation body at planned intervals. These audits ensure that the system is being implemented and followed.

Regular internal audits are carried out at the following stages of manufacture: inwards goods, first off, in process, final and customer return analysis. Any non-conformances identified are investigated and followed up to ensure corrective actions taken are effective.

Hansen is certified for the design, manufacture, assembly, packaging, distribution and marketing of our products.

### WRAS

WRAS approval by the Water Research Council in the UK is the highest recognised water testing qualification in the world. A WRAS approved fitting must not cause waste, misuse, undue consumption or contamination of the water supply and must be of an appropriate quality and standard.

HANSEN™ True Fit Threaded Pipe Fittings, True Fit Tank Fittings as well as Easy Fit Compression Fittings and Quick Connect Barrel Unions carry the WRAS approval which means that the use of these fittings or units, when correctly installed, will not contravene the requirements of the UK Water Supply (Water Fittings) Regulations or Scottish Byelaws.

To see the range of Hansen fittings that have been approved by WRAS please go to our website [www.hansenproducts.com/approvals](http://www.hansenproducts.com/approvals)

### AS/NZS 4020

AS/NZS 4020 – Testing of products for use in contact with drinking water.

- Determines the methods used and the measure of compliance for the effects of a product on the taste and appearance of water.
- Determines the ability of a product to support the growth of microorganisms and the quality of toxic metallic and non metallic substances leached from the product when exposed to the test water.

HANSEN™ Easy Fit Poly Fittings, Easy Fit Compression Fittings, True Fit Threaded Fittings, True Fit Tank Fittings, Quick Connect Unions, Quick Couplings, Full Flow Ball Valves, Rain Relief Valves, Fastflo Valves, Foot Valves & Check Valves have been AS/NZS 4020 approved and meet the above standard as tested by an independent testing authority, the Australia Water Quality Centre.

### WATERMARK

WaterMark™ Certificate of Conformity – Level 1 – Evaluated to: AS/NZS 4129:2008 – Fittings for polyethylene (PE) pipes for pressure applications  
Certification No: WMKA21978

The WaterMark™ Certification Scheme is a certification scheme for plumbing and drainage products to ensure that plumbing and drainage materials and products are fit for purpose and appropriately authorized for use in plumbing installations. It also provides a uniform national approach to plumbing product approvals. The plumbing industry in Australia & New Zealand supports the use of the WaterMark™ which, when used properly, is an excellent way of helping consumers be confident about the quality of the plumbing product to which it is applied. Material and product failures in plumbing systems can cause contamination of the water system and be a public health concern. Under the Scheme, Hansen Easy Fit Compression Fittings carry the WaterMark™ approval and are accepted for use in all Australian states and territories & throughout New Zealand – subject to correct installation practices in accordance with AS/NZS 3500 and any local deviations.

The procedures and technical

requirements of this scheme are identified in AS 5200.000-2006 Technical specification for plumbing and drainage products – Procedures for certification of plumbing and drainage products.

All Hansen products are covered by the Hansen Warranty.

### IMCI

Hansen Ball Valves have been approved by the International Marine Certification Institute to ISO standard 9093-2 and meets the requirements of the Recreational Craft Directive 94/25/EC meaning that it is safe to use in salt water environments.

*See our website for further details.*

### COUNCIL'S

Hansen Easy Fit Compression Fittings are approved to be used in many municipal water supply construction and maintenance activities.

*See our website for further details.*

## Legal Information

The products in this catalogue are protected by intellectual property rights owned by the Hansen group of companies in New Zealand, Australia and other countries, including patents, registered designs, trademarks, copyright and other rights. HANSEN is a Trademark of the Hansen group of companies.

### MINI FAST-FLO™ TROUGH / TANK VALVE

The Mini Fastflo Valves in this catalogue are protected by intellectual property rights owned by the Hansen group of companies in New Zealand, Australia and other countries including New Zealand registered design 420187 and Australian registered design 365459. MINI FAST-FLO is a trademark of the Hansen group of companies.

### FAST-FLO™ TROUGH / TANK VALVE

The Fast-Flo Valves in this catalogue are protected by intellectual property rights owned by the Hansen group of companies in New Zealand, Australia and other countries, including New Zealand patent 626771 and registered design 418914 and Australian patent application 2015202120 and registered design 359222. FAST-FLO is a trademark of the Hansen group of companies.

### SUPER-FLO™ TROUGH VALVE

The Super-Flo Valves in this catalogue are protected by intellectual property rights owned by the Hansen group of companies in New Zealand, Australia and other countries, including New Zealand patent 585246 and registered design 413594 and Australian patent application 2011202147 and registered design 334419. SUPER-FLO is a trademark of the Hansen group of companies.

### MAX-FLO™ TROUGH/TANK VALVE

The Max-Flo Valves in this catalogue are protected by intellectual property rights owned by the Hansen group of companies in New Zealand, Australia and other countries, including New Zealand patent applications 603309 and 585948 and registered design 413714, and Australian patent applications 2016202203 and 2015227545 and registered design 334428. MAX-FLO is a trademark of the Hansen group of companies.

### CHECK VALVE

The Check Valves in this catalogue are protected by intellectual property rights owned by the Hansen group of companies in New Zealand, Australia and other countries, including New Zealand patents 286543 and 331955, Australian patent 708382, United States patent 6,374,855 and registered design 426617, United Kingdom registered design 2079841, Malaysian patent MY-0119324-A, Israeli patent 126944 and Canadian patent 2253848.

### BALL VALVE

The Ball Valves in this catalogue are protected by intellectual property rights owned by the Hansen group of companies in New Zealand, Australia and other countries, including New Zealand registered design 410758, Australian registered design 317355, United States registered design 616068, Canadian registered design 126688, European Community registered design 000950431-0001 and South African registered design A2008/00907.

### FOOT VALVE

The Foot Valves in this catalogue are protected by intellectual property rights owned by the Hansen group of companies in New Zealand, Australia and other countries including New Zealand patents 286543 and 331955, Australian patent 708382, United States patent 6,374,855 and registered design 409287, United Kingdom registered design 2060768, Israeli patent 126944, Malaysian patent MY-0119324-A, Canadian patent 2253848, Mexican registered design 10057, Argentinean registered design 64021, Spanish registered design 010138703, French registered design 966311, Brazilian registered design 5601769-3, Italian registered design 00072187, German registered design M9609969 and Benelux Convention registered design 27793-00.

### TAPPING SADDLE

The Tapping Saddles in this catalogue are protected by intellectual property rights owned by the Hansen group of companies in New Zealand, Australia and other countries, including New Zealand patent 577587 and registered design 412373, Australian patent application 2010202392 and registered design 329136 and European Community registered design 001182489-0001. FAST-FIT is a trademark of the Hansen group of companies.

### LEVEL ALERT

The Level Alert in this catalogue is protected by intellectual property rights owned by the Hansen group of companies in New Zealand, Australia and other countries, including New Zealand patent 596360 and registered design 415007 and Australian patent 2012203010 and registered design 340061.

### LEVELLER VALVE

The Leveller Valve in this catalogue is protected by intellectual property rights owned by the Hansen group of companies in New Zealand, Australia and other countries, including New Zealand patent 596808 and registered design 415354, and Australian patent application 2012203015 and registered design 341444.

### RAIN RELIEF VALVE

The Rain Relief Valves and Float in this catalogue are protected by intellectual property rights owned by the Hansen group of companies in New Zealand, Australia and other countries including New Zealand patents 732860 and 733081 and registered design 422627, Australian registered design 201710480, European Community registered design 004123594-0001 and patent applications in other countries.- See our website for further details.

RAPID-FLO & SLO-FLO are trademarks of the Hansen group of companies.

### TURBO TWIST

The Turbo Twist Wash Down Nozzle in this catalogue is protected by intellectual property rights owned by the Hansen group of companies in New Zealand, Australia and other countries including New Zealand registered design application 424625, Australian registered design application 201817624 and European Community registered design application 005940335-0004. TURBOTWIST is a trademark of the Hansen group of Companies.

### TURBO SWEEP

The Turbo Sweep Wash Down Nozzle in this catalogue is protected by intellectual property rights owned by the Hansen group of companies in New Zealand, Australia and other countries including New Zealand registered design application 424626, Australian registered design application 201817626 and European Community registered design application 005940335-0005. TURBOSWEEP is a trademark of the Hansen group of Companies.

### EASY CLAMP

The Easy Clamp products in this catalogue are protected by the intellectual property rights owned by the Hansen group of companies in New Zealand, Australia and other countries including New Zealand registered design 424624, Australian registered design 201817623 and European Community registered design 005939683-001.

### ULTIMATE SWIVEL

The Ultimate Swivel products in this catalogue are protected by the intellectual property rights owned by the Hansen group of companies in New Zealand, Australia and other countries including New Zealand registered designs 424621, 424622 and 424623, Australian registered designs 201817617, 201817618 and 201817621, and European Community registered designs 005939683-001 and 005940335-0003.

### IRRIPOD

The Irripod systems in this catalogue are protected by intellectual property rights owned by the Hansen group of companies in New Zealand, Australia and other countries, including New Zealand patents 510282 and 532441 and Australian patent application 2005201688. IRRIPOD, HYDROPOD and HYDRO-POD are trademarks of the Hansen group of companies.

### HAN-TOOL

The Han-Tool products in this catalogue are protected by intellectual property rights owned by the Hansen group of companies in New Zealand, Australia and other countries including New Zealand patent 623796 and Australian patent application 2013204330. HAN-TOOL is a trademark of the Hansen group of companies.

### HANFLO

Hansen Pipe Fittings and Hose Tails are marketed in North America under the trademark Hanflo™. HANFLO is a Trademark of the Hansen group of companies.

### HANSEN

The products shown in this catalogue are protected by intellectual property rights including patents, registered designs, trademarks, copyright and other rights owned by the Hansen group of companies in New Zealand, Australia and other countries.

HANSEN is a trademark belonging to the Hansen group of companies, which is registered in some countries.

### Other Trademarks



HANSEN  
 TRUEFIT  
 HANSEN EASYFIT  
 HIFLO



Best Installed Value

Email: info@hansenproducts.com.au  
Website: www.hansenproducts.com.au

# Notes

Dotted lines for notes

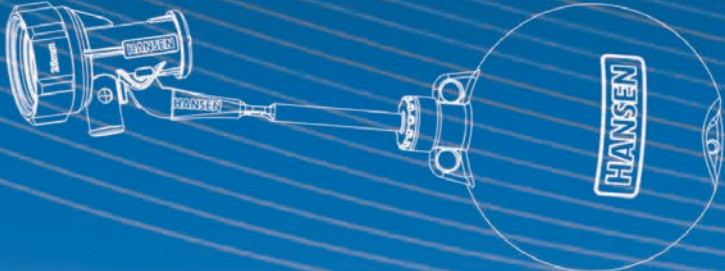
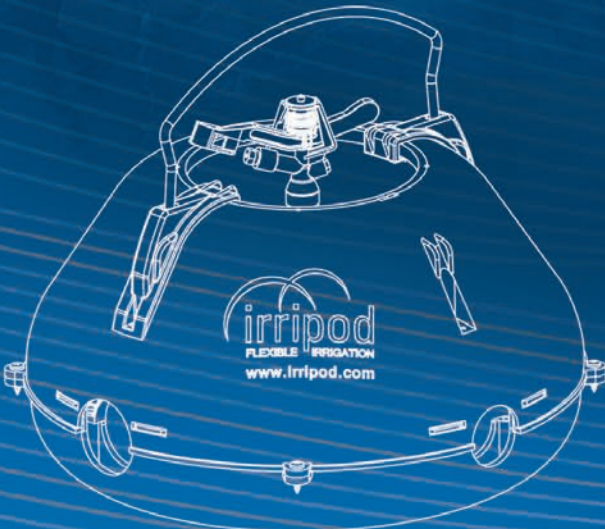
LEGAL





# HANSEN<sup>tm</sup>

*Best Installed Value*



[www.hansenproducts.com.au](http://www.hansenproducts.com.au)